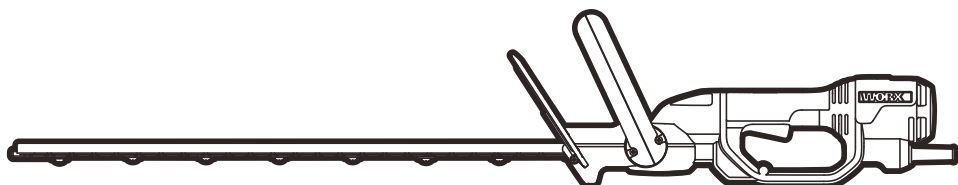


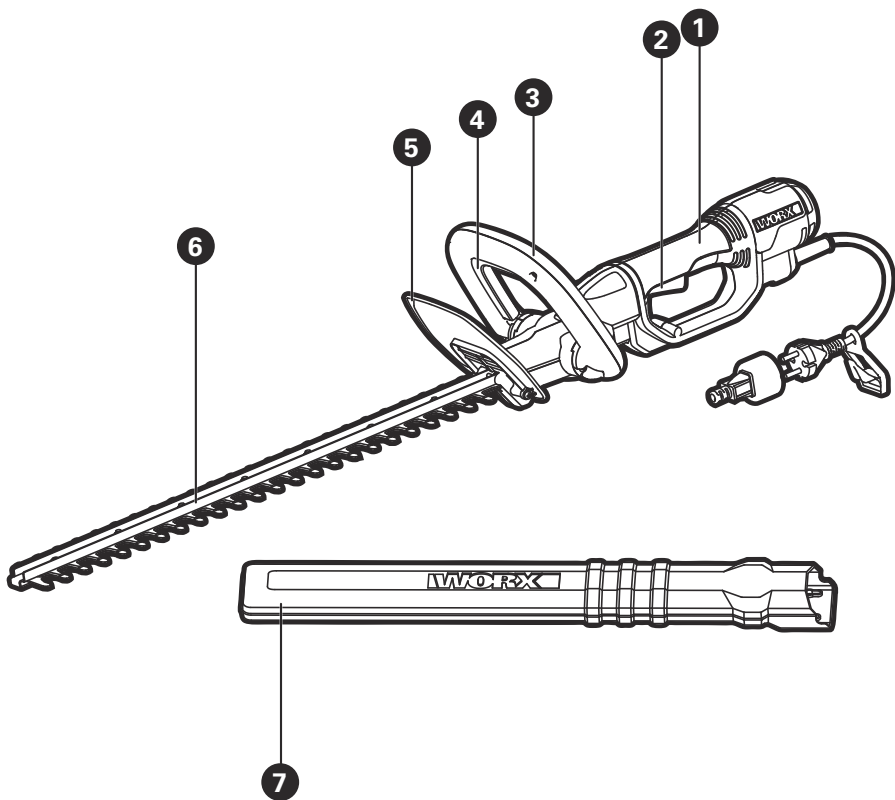
# **WORX**

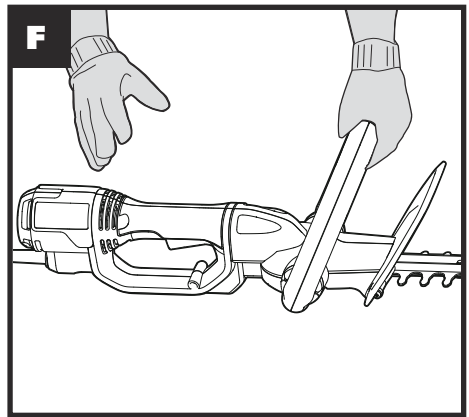
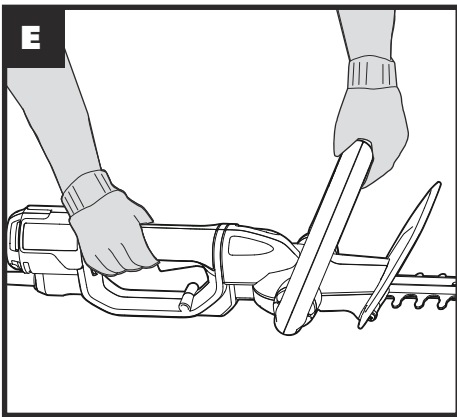
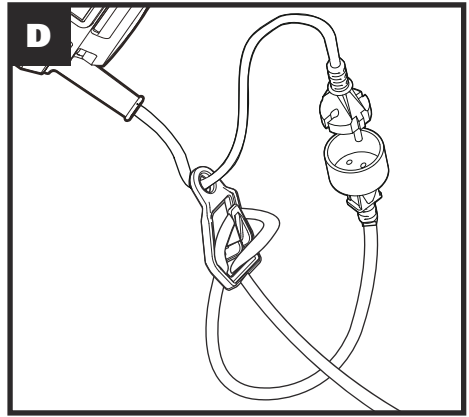
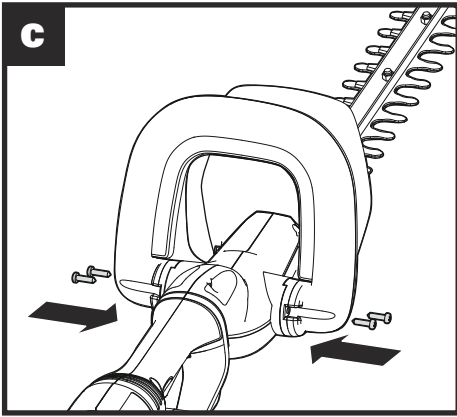
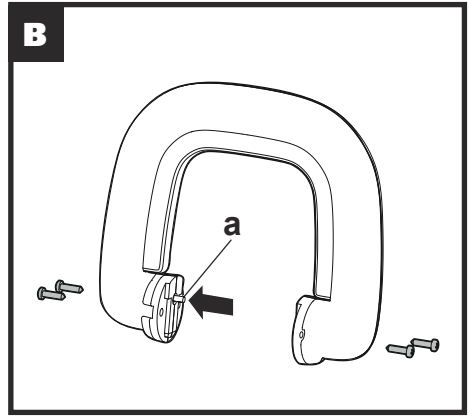
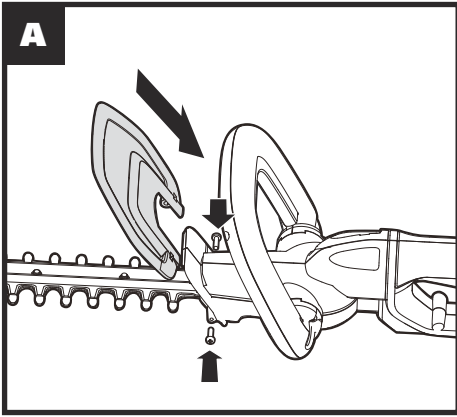


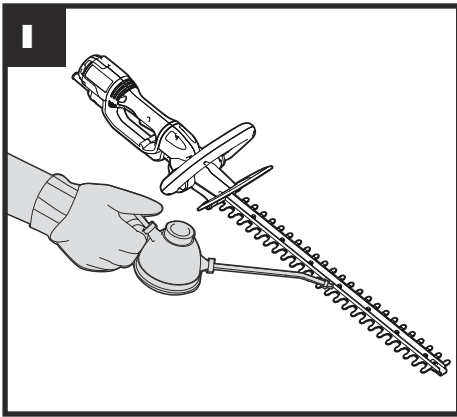
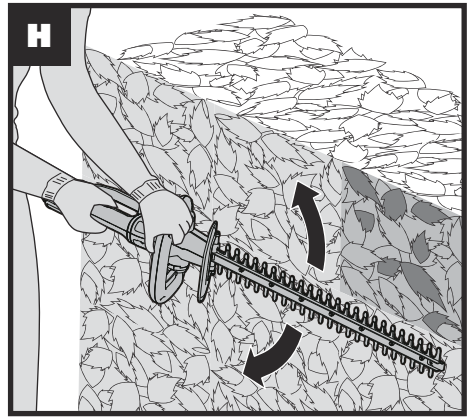
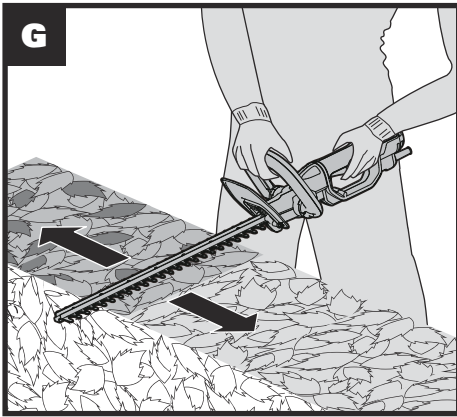
<b>Hedge Trimmer</b>	<b>EN</b>	<b>P06</b>
<b>Heckenschere</b>	<b>D</b>	<b>P11</b>
<b>Taille haie</b>	<b>F</b>	<b>P17</b>
<b>Tosasiepi</b>	<b>I</b>	<b>P23</b>
<b>Cortasetos</b>	<b>ES</b>	<b>P29</b>
<b>Heggenschaar</b>	<b>NL</b>	<b>P34</b>
<b>Przycinarka do żywopłotów</b>	<b>PL</b>	<b>P39</b>
<b>Sövénnyíró</b>	<b>HU</b>	<b>P44</b>
<b>Maşinã de tuns gard viu</b>	<b>RO</b>	<b>P49</b>
<b>Nůžky na živý plot</b>	<b>CZ</b>	<b>P54</b>
<b>Nožnice na živý plot</b>	<b>SK</b>	<b>P59</b>
<b>Corta-sebes</b>	<b>PT</b>	<b>P64</b>
<b>Häcktrimmer</b>	<b>SV</b>	<b>P69</b>
<b>Rezalnik žive meje</b>	<b>SL</b>	<b>P74</b>

## **WG209E WG210E**

<b>Original instructions</b>	<b>EN</b>
<b>Übersetzung der Originalanleitung</b>	<b>D</b>
<b>Traduction des instructions initiales</b>	<b>F</b>
<b>Traduzione delle istruzioni originali</b>	<b>I</b>
<b>Traducción de las instrucciones originales</b>	<b>ES</b>
<b>Vertaling van de oorspronkelijke instructies</b>	<b>NL</b>
<b>Tłumaczenie oryginalnych instrukcji</b>	<b>PL</b>
<b>Eredeti használati utasítás fordítása</b>	<b>HU</b>
<b>Traducerea instrucțiunilor inițiale</b>	<b>RO</b>
<b>Překlad původních pokynů</b>	<b>CZ</b>
<b>Preklad pôvodných pokynov</b>	<b>SK</b>
<b>Tradução das instruções originais</b>	<b>PT</b>
<b>Översättning av originalinstruktionerna</b>	<b>SV</b>
<b>Prevod izvirna navodila</b>	<b>SL</b>







## 1. REAR HANDLE

## 2. REAR SWITCH LEVER

## 3. FRONT SWITCH LEVER

## 4. FRONT HANDLE

## 5. SAFETY GUARD

## 6. BLADE

## 7. BLADE SHEATH

**Not all the accessories illustrated or described are included in standard delivery.**

# TECHNICAL DATA

Type **WG209E, WG210E (2-designation of machinery, representative of Hedge Trimmer)**

	WG209E	WG210E
Rated voltage	230-240V ~ 50Hz	
Rated power	550W	600W
Rated no load speed	2600/min	
6 Cutting length	51cm	60cm
Cutting diameter	24mm	
Machine weight	2.7kg	2.8kg
Protection class	□ / II	

# NOISE INFORMATION

A weighted sound pressure  $L_{pA}$ : 85dB(A)  
K=3dB(A)

A weighted sound power  $L_{wA}$ : 100dB(A)

Wear ear protection when sound pressure is over 80dB(A)

# VIBRATION INFORMATION

Vibration total values (triax vector sum) determined according to EN 60745:

Typical weighted vibration	4.7m/s <sup>2</sup>
	Uncertainty K = 1.5m/s <sup>2</sup>

The declared vibration total value may be used for comparing one tool with another, and may also be used in a preliminary assessment of exposure.



**WARNING:** The vibration emission value during actual use of the power tool can differ from the declared value depending on the ways in which the tool is used dependant on the following examples and other variations on how the tool is used:

How the tool is used and the materials being cut or drilled.

The tool being in good condition and well maintained

The use the correct accessory for the tool and ensuring it is sharp and in good condition.

The tightness of the grip on the handles and if any anti vibration accessories are used.

And the tool is being used as intended by its design and these instructions.

**This tool may cause hand-arm vibration syndrome if its use is not adequately managed.**



**WARNING:** To be accurate, an estimation of exposure level in the actual conditions of use should also take account of all parts of the operating cycle such as the times when the tool is switched off and when it is running idle but not actually doing the job. This may significantly reduce the exposure level over the total working period.

Helping to minimize your vibration exposure risk. ALWAYS use sharp chisels, drills and blades.

Maintain this tool in accordance with these instructions and keep well lubricated (where appropriate).

If the tool is to be used regularly then invest in anti vibration accessories.

Avoid using tools in temperatures of 10°C or less.

Plan your work schedule to spread any high vibration tool use across a number of days.

# ACCESSORY

**Safety Guard**  
**Blade Sheath**

**1**  
**1**

We recommend that you purchase your accessories from the same store that sold you the tool. Refer to the accessory packaging for further details. Store personnel can assist you and offer advice.

# GENERAL POWER TOOL SAFETY WARNINGS

 **WARNING! Read all safety warnings and all instructions.** Failure to follow the warnings and instructions may result in electric shock, fire and/or serious injury.

## Save all warnings and instructions for future reference.

The term “power tool” in the warnings refers to your mains-operated (corded) power tool or battery-operated (cordless) power tool.

### 1. WORK AREA SAFETY

- a) **Keep work area clean and well lit.** Cluttered or dark areas invite accidents.
- b) **Do not operate power tools in explosive atmospheres, such as in the presence of flammable liquids, gases or dust.** Power tools create sparks which may ignite the dust or fumes.
- c) **Keep children and bystanders away while operating a power tool.** Distractions can cause you to lose control.

### 2. ELECTRICAL SAFETY

- a) **Power tool plugs must match the outlet. Never modify the plug in any way. Do not use any adapter plugs with earthed (grounded) power tools.** Unmodified plugs and matching outlets will reduce risk of electric shock.
- b) **Avoid body contact with earthed or grounded surfaces, such as pipes, radiators, ranges and refrigerators.** There is an increased risk of electric shock if your body is earthed or grounded.
- c) **Do not expose power tools to rain or wet conditions.** Water entering a power tool will increase the risk of electric shock.
- d) **Do not abuse the cord. Never use the cord for carrying, pulling or unplugging the power tool. Keep cord away from heat, oil, sharp edges or moving parts.** Damaged or entangled cords increase the risk of electric shock.
- e) **When operating a power tool outdoors, use an extension cord suitable for outdoor use.** Use of a cord suitable for outdoor use reduces the risk of electric shock.
- f) **If operating a power tool in a damp location is unavoidable, use a residual current device (RCD) protected supply.** Use of an RCD reduces the risk of electric shock.

### 3. PERSONAL SAFETY

- a) **Stay alert, watch what you are doing and use common sense when operating a power tool. Do not use a power tool while you are tired or under the influence of drugs, alcohol or medication.** A moment of inattention while operating power tools may

result in serious personal injury.

- b) **Use personal protective equipment. Always wear eye protection.** Protective equipment such as dust mask, non-skid safety shoes, hard hat, or hearing protection used for appropriate conditions will reduce personal injuries.
- c) **Prevent unintentional starting. Ensure the switch is in the off-position before connecting to power source and/or battery pack, picking up or carrying the tool.** Carrying power tools with your finger on the switch or energising power tools that have the switch on invites accidents.
- d) **Remove any adjusting key or wrench before turning the power tool on.** A wrench or a key left attached to a rotating part of the power tool may result in personal injury.
- e) **Do not overreach. Keep proper footing and balance at all times.** This enables better control of the power tool in unexpected situations.
- f) **Dress properly. Do not wear loose clothing or jewellery. Keep your hair, clothing and gloves away from moving parts.** Loose clothes, jewellery or long hair can be caught in moving parts.
- g) **If devices are provided for the connection of dust extraction and collection facilities, ensure these are connected and properly used.** Use of dust collection can reduce dust-related hazards.

### 4. POWER TOOL USE AND CARE

- a) **Do not force the power tool. Use the correct power tool for your application.** The correct power tool will do the job better and safer at the rate for which it was designed.
- b) **Do not use the power tool if the switch does not turn it on and off.** Any power tool that cannot be controlled with the switch is dangerous and must be repaired.
- c) **Disconnect the plug from the power source and/or the battery pack from the power tool before making any adjustments, changing accessories, or storing power tools.** Such preventive safety measures reduce the risk of starting the power tool accidentally.
- d) **Store idle power tools out of the reach of children and do not allow persons unfamiliar with the power tool or these instructions to operate the power tool.** Power tools are dangerous in the hands of untrained users.
- e) **Maintain power tools. Check for misalignment or binding of moving parts, breakage of parts and any other condition that may affect the power tool's operation. If damaged, have the power tool repaired before use.** Many accidents are caused by poorly maintained power tools.
- f) **Keep cutting tools sharp and clean.** Properly maintained cutting tools with sharp cutting edges are less likely to bind and are easier to control.
- g) **Use the power tool, accessories and**

**tool bits etc. in accordance with these instructions, taking into account the working conditions and the work to be performed.** Use of the power tool for operations different from those intended could result in a hazardous situation.

## 5. SERVICE

- a) **Have your power tool serviced by a qualified repair person using only identical replacement parts.** This will ensure that the safety of the power tool is maintained.

## SAFETY WARNINGS FOR HEDGE TRIMMER:

1. **Keep all parts of the body away from the cutter blade. Do not remove cut material or hold material to be cut when blades are moving. Make sure the switch is off when clearing jammed material.** A moment of inattention while operating the hedge trimmer may result in serious personal injury.
2. **Carry the hedge trimmer by the handle with the cutter blade stopped. When transporting or storing the hedge trimmer always fit the cutting device cover.** Proper handling of the hedge trimmer will reduce possible personal injury from the cutter blades.
3. **Keep cable away from cutting area.** During operation the cable may be hidden in shrubs and can be accidentally cut by the blade.
4. **Hold the power tool by insulated gripping surfaces only, because the cutter blade may contact hidden wiring or its own cord.** Cutter blades contacting a "live" wire may make exposed metal parts of the power tool "live" and could give the operator an electric shock.
5. Check the hedge for foreign objects, e.g. wire fences.
6. Use both hands when operating the hedge trimmer. Using one hand could cause loss of control and result in serious personal injury.
7. Recommendation for the use of a residual current device with a tripping current of 30 mA or less.

## SYMBOLS



To reduce the risk of injury, user must read instruction manual



Wear eye protection



Wear ear protection



Wear dust mask



Do not expose to moisture



Remove plug from the mains immediately if the cable is damaged or cut



Double insulation



Keep hands away



Waste electrical products must not be disposed of with household waste. Please recycle where facilities exist. Check with your local authorities or retailer for recycling advice.

## OPERATING INSTRUCTIONS



**WARNING!** Do not use the product without attaching the guard and front handle.

### INTENDED USE

This machine is intended to be used domestically for cutting and trimming hedges and bushes.

### 1. ASSEMBLY OF THE GUARD (See Fig. A)

Insert the Safety Guard(5) into the slot as illustrated in Fig A.;

Use two screws to fix the guard securely, making sure it is securely attached.



## 2. FRONT HANDLE ASSEMBLY



**The Front Handle (4) must be assembled before use:**

- 1) Attach the Front Handle to the housing. Push the small button (a) inside first. Make sure the protruding marks on the Front Handle fit perfectly into the matching indentation on the housing. (See Fig. B & C)
- 2) Insert and tighten the 4 screws.
- 3) Check whether handle is firmly secured, if not retighten the screws.

**Make sure the handle is securely attached in place.**

## 3. MAINS SUPPLY CABLE STRAIN RELIEF

(See Fig. D)

An extension cord retainer is supplied to reduce strain on the power cord. To use this feature, form a loop at the end of the extension cable and bring this through the opening at the bottom of the Extension Cord Retainer, then wrap the end of the loop around the hook and pull to tighten.

## 4. STARTING AND STOPPING (See Fig. E)

**BEFORE STARTING YOUR HEDGE TRIMMER**

Remove Blade Sheath (7).

**TO START YOUR HEDGE TRIMMER**

There are two switch levers fitted in your Hedge trimmer (2&3).

Both switch levers need to be depressed for the product to **START**. Depress and hold the Front Switch Lever (3) and press the Rear Switch Lever (2) (See Fig. E).

**TO STOP YOUR HEDGE TRIMMER**

Move Hedge trimmer away from cutting area before stopping.

To **STOP**, release one of the switch levers (See Fig. F).



**WARNING:** If any parts are missing, damaged or broken, do not operate your Hedge trimmer until all damaged parts have been replaced or repaired. Failure to do so could result in serious personal injury. **DO NOT USE WITHOUT HANDLE AND GUARD.**

## 5. HOW TO USE YOUR HEDGE TRIMMER

Inspect the area to be cut before each use, remove objects which can be thrown or become entangled in the cutting blades.

Always hold the Hedge trimmer with both hands and with the blade away from you before turning it on.

**Always keep the power cord behind the Hedge trimmer when in use. Do not place it over the hedge that you are trimming where it may be cut by the blade.**

When trimming new growth, use a wide sweeping action so that the stems are fed directly into the blade.

Allow the cutting blades to reach full speed before entering the material to be cut.

Always work going away from people and solid

objects such as walls, large stones, trees, vehicles etc.

If the blade stalls, immediately stop the Hedge trimmer. Disconnect the Hedge trimmer from the mains and clear the jammed debris from the cutting blades.

Wear gloves when trimming thorny or prickly growth.

Move the Hedge trimmer to feed the branches directly into the blade cutting edges.

Do not try to cut stems that are too large to feed into the cutting blade.

**TOP CUTTING (See Fig. G)**

Use a wide sweeping motion. A slight downward tilt of the cutting blades in the direction of motion gives the best cutting results.

**SIDE CUTTING (See Fig. H)**

When trimming the sides of the hedge, begin at the bottom and cut upwards, tapering the hedge inward at the top. This shape will expose more of the hedge, resulting in a more uniform growth.



**WARNING:** Check extension cords before each use. If damaged replace immediately.

Never use your tool with a damaged cord since touching the damaged area could cause electrical shock resulting in serious injury.

If the supply cord is damaged, it should be replaced by a local approved Service Centre.

Take care not to expose this tool to rain.

## MAINTENANCE

### CLEANING

Disconnect from mains electrics supply. Using a soft brush-remove debris from all air intakes and cutting blade.

If the replacement of the supply cord is necessary, this has to be done by the manufacturer or his agent in order to avoid a safety hazard.

Wipe over surface of your Hedge trimmer with a dry cloth.



**WARNING!** Never use water for cleaning your Hedge trimmer. Do not clean with

chemicals, including petrol, or solvents as this can damage your hedge trimmer.

### LUBRICATING THE CUTTING BLADE

For easier operation and longer life, lubricate the cutting blades before and after each use. Before lubricating, make sure your Hedge trimmer is disconnected from the mains electricity supply. Apply the oil so that it runs between the two blades (See Fig. I).

Your trimmer should be stopped, disconnected and oiled occasionally during use.

### AT THE END OF THE CUTTING SEASON

Clean your Hedge trimmer thoroughly.

Check that all nuts and bolts are secure.

Visually inspect the Hedge trimmer for any worn or

damaged parts.

### TO STORE YOUR HEDGE TRIMMER

Store the hedge trimmer in a secure, dry place out of the reach of children. Do not place other objects on top of the machine.

## ENVIRONMENTAL PROTECTION



Waste electrical products should not be disposed of with household waste. Please recycle where facilities exist. Check with your Local Authority or retailer for recycling advice.

## PLUG REPLACEMENT(ONLY FOR REWIRABLE PLUG OF UK & IRELAND)

If you need to replace the fitted plug then follow the instructions below.

### IMPORTANT

The wires in the mains lead are colored in accordance with the following code:

**Blue = Neutral**

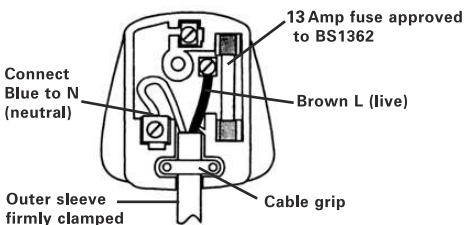
**Brown = Live**

As the colors of the wires in the mains lead of this appliance may not correspond with the coloured markings identifying the terminals in your plug, proceed as follows. The wire which is coloured blue must be connected to the terminal which is marked with N. The wire which is coloured brown must be connected to the terminal which is marked with L.



**WARNING!** Never connect live or neutral wires to the earth terminal of the plug. Only fit an approved BS1363/A plug and the correct rated fuse.

**NOTE:** If a moulded plug is fitted and has to be removed take great care in disposing of the plug and severed cable, it must be destroyed to prevent engaging into a socket.



## DECLARATION OF CONFORMITY

We,  
POSITEC Germany GmbH  
Konrad-Adenauer-Ufer 37  
50668 Köln

Declare that the product  
Description **WORX Hedge Trimmer**  
Type **WG209E, WG210E (2-designation of machinery, representative of Hedge Trimmer)**  
Function **Trimming hedges and brushes**

Complies with the following directives,  
**2006/42/EC**  
**2014/30/EU**  
**2011/65/EU**  
**2000/14/EC amended by 2005/88/EC**

2000/14/EC amended by 2005/88/EC:  
- Conformity assessment procedure as per **Annex V**  
- Measured sound power level **97.4dB**  
- Declared guaranteed sound power level **98dB**

Standards conform to,  
**EN 60745-1**      **EN 60745-2-15**  
**EN ISO 3744**    **EN 55014-1**  
**EN 55014-2**    **EN 61000-3-2**  
**EN 61000-3-3**

The person authorized to compile the technical file,  
**Name Russell Nicholson**  
**Address Positec Power Tools (Europe)Ltd, PO Box 6242, Newbury, RG14 9LT, UK**



Suzhou 2016/10/20  
Allen Ding  
Deputy Chief Engineer, Testing & Certification

## 1. HANDGRIFF HINTEN

## 2. SCHALTHEBEL

## 3. SCHALTHEBEL VORNE

## 4. HANDGRIFF VORNE

## 5. HANDSCHUTZ

## 6. MESSER

## 7. MESSERSCHUTZHÜLLE

**Abgebildetes oder beschriebenes Zubehör gehört teilweise nicht zum Lieferumfang.**

## TECHNISCHE DATEN

Typ **WG209E WG210E (2- betegner maskin, angir Heckenschere)**

	WG209E	WG210E
Nennspannung	230-240V ~ 50Hz	
Nennleistung	550W	600W
Nenn Drehzahl	2600/min	
Schnittlänge	51cm	60cm
Schneiddurchmesser	24mm	
Gewicht	2.7kg	2.8kg
Schutzisolation	 / II	

## LÄRMPEGEL UND VIBRATIONEN

Gewichteter schalldruck  $L_{pA}$ : 85dB(A)  
K=3dB(A)

Gewichtete schallleistung  $L_{wA}$ : 100dB(A)

Tragen Sie bei einem Schalldruck über 80dB (A) einen Gehörschutz.



## INFORMATIONEN ÜBER VIBRATIONEN

Vibration total values (tri-ax vector sum) determined according to EN 60745:

Typischer gewichteter Vibrationswert	4.7m/s <sup>2</sup>
	Unsicherheit K = 1.5m/s <sup>2</sup>

Der angegebene Gesamtvibrationswert kann zum Vergleich eines Werkzeugs mit einem anderen und auch zur vorläufigen Expositionsbewertung verwendet werden.



**WARNUNG:** Der Vibrationsemissionswert während des tatsächlichen Gebrauchs des Elektrowerkzeugs kann vom angegebenen Wert abweichen, je nachdem, wie das Werkzeug gemäß folgender Beispiele und anderweitiger Verwendungsmöglichkeiten eingesetzt wird: Das Werkzeug ist in gutem Zustand und gut gepflegt Verwendung des richtigen Zubehörs für das Werkzeug und Gewährleistung seiner Schärfe und seines guten Zustands. Die Festigkeit der Handgriffe und ob Antivibrationszubehör verwendet wird. Und ob das verwendete Werkzeug dem Design und diesen Anweisungen entsprechend verwendet wird.

**Wird dieses Werkzeug nicht anemessen gehandhabt, kann es ein Hand-Arm-Vibrationssyndrom erzeugen.**



**WARNUNG:** Um genau zu sein, sollte ein Abschätzung des Belastungsgrades aller Arbeitsabschnitte während tatsächlicher Verwendung berücksichtigt werden, z.B. die Zeiten, wenn das Werkzeug ausgeschaltet ist, und wenn es sich im Leerlauf befindet und eigentlich nicht eingesetzt wird. Auf diese Weise kann der Belastungsgrad während der gesamten Arbeitszeit wesentlich gemindert werden.

Minimieren Sie Ihr Risiko, dem Sie bei Vibrationen ausgesetzt sind.

Pflegen Sie dieses Werkzeug diesen Anweisungen entsprechend und achten Sie auf eine gute Einfeldung (wo erforderlich).

Bei regelmäßiger Verwendung dieses Werkzeugs sollten Sie in Antivibrationszubehör investieren. Vermeiden Sie den Einsatz von Werkzeugen bei Temperaturen von 10°C oder darunter.

Machen Sie einen Arbeitsplan, um die Verwendung von hochvibrierenden Werkzeugen auf mehrere Tage zu verteilen.

# ZUBEHÖR INBEGRIFFE

## Handschutz Messerschutzhülle

1  
1

Wir empfehlen Ihnen, sämtliche Zubehörteile beim selben Fachhändler zu beziehen, bei dem Sie auch Ihr Elektrowerkzeug gekauft haben. Weitere Informationen finden Sie auf der Verpackung der Zubehörteile. Auch Ihr Fachhändler berät Sie gerne.

## ALLGEMEINE SICHERHEITSHINWEISE FÜR ELEKTROWERKZEUGE



**WARNUNG! Lesen Sie alle Sicherheitshinweise und Anweisungen.**

Versäumnisse bei der Einhaltung der Sicherheitshinweise und Anweisungen können elektrischen Schlag, Brand und/oder schwere Verletzungen verursachen.

### Bewahren Sie alle Sicherheitshinweise und Anweisungen für die Zukunft auf.

Der in den Sicherheitshinweisen verwendete Begriff „Elektrowerkzeug“ bezieht sich auf akkubetriebene Elektrowerkzeuge (ohne Netzkabel).

### 1. ARBEITSPLATZSICHERHEIT

- a) **Halten Sie Ihren Arbeitsbereich sauber und gut beleuchtet.** Unordnung oder unbeleuchtete Arbeitsbereiche können zu Unfällen führen.
- b) **Arbeiten Sie mit dem Elektrowerkzeug nicht in explosionsgefährdeter Umgebung, in der sich brennbare Flüssigkeiten, Gase oder Stäube befinden.** Elektrowerkzeuge erzeugen Funken, die den Staub oder die Dämpfe entzünden können.
- c) **Halten Sie Kinder und andere Personen während der Benutzung des Elektrowerkzeugs fern.** Bei Ablenkung können Sie die Kontrolle über das Gerät verlieren.

### 2. ELEKTRISCHE SICHERHEIT

- a) **Der Anschlussstecker des Elektrowerkzeuges muss in die Steckdose passen. Der Stecker darf in keiner Weise verändert werden. Verwenden Sie keine Adapterstecker gemeinsam mit schutzgeerdeten Elektrowerkzeugen.** Unveränderte Stecker und passende Steckdosen verringern das Risiko eines elektrischen Schlages.
- b) **Vermeiden Sie Körperkontakt mit geerdeten Oberflächen wie von Rohren, Heizungen, Herden und Kühlschränken.** Es besteht ein erhöhtes Risiko durch elektrischen Schlag, wenn Ihr Körper geerdet ist.
- c) **Halten Sie Elektrowerkzeuge von Regen oder Nässe fern.** Das Eindringen von Wasser in ein Elektrowerkzeug erhöht das Risiko eines

elektrischen Schlages.

- d) **Zweckentfremden Sie das Kabel nicht, um das Elektrowerkzeug zu tragen, aufzuhängen oder um den Stecker aus der Steckdose zu ziehen. Halten Sie das Kabel fern von Hitze, Öl, scharfen Kanten oder sich bewegendem Geräteteilen.** Beschädigte oder verwickelte Kabel erhöhen das Risiko eines elektrischen Schlages.
- e) **Wenn Sie mit einem Elektrowerkzeug im Freien arbeiten, verwenden Sie nur Verlängerungskabel, die auch für den Außenbereich geeignet sind.** Die Anwendung eines für den Außenbereich geeigneten Verlängerungskabels verringert das Risiko eines elektrischen Schlages.
- f) **Wenn der Betrieb des Elektrowerkzeuges in feuchter Umgebung nicht vermeidbar ist, verwenden Sie einen Fehlerstromschutzschalter.** Der Einsatz eines Fehlerstromschutzschalters vermindert das Risiko eines elektrischen Schlages.

### 3. SICHERHEIT VON PERSONEN

- a) **Seien Sie aufmerksam, achten Sie darauf, was Sie tun, und gehen Sie mit Vernunft an die Arbeit mit einem Elektrowerkzeug. Benutzen Sie kein Elektrowerkzeug, wenn Sie müde sind oder unter dem Einfluss von Drogen, Alkohol oder Medikamenten stehen.** Ein Moment der Unachtsamkeit beim Gebrauch des Elektrowerkzeuges kann zu ernsthaften Verletzungen führen.
- b) **Tragen Sie persönliche Schutzausrüstung und immer eine Schutzbrille.** Das Tragen persönlicher Schutzausrüstung, wie Staubmaske, rutschfeste Sicherheitsschuhe, Schutzhelm oder Gehörschutz, je nach Art und Einsatz des Elektrowerkzeuges, verringert das Risiko von Verletzungen.
- c) **Vermeiden Sie eine unbeabsichtigte Inbetriebnahme. Vergewissern Sie sich, dass das Elektrowerkzeug ausgeschaltet ist, bevor Sie es an den Akku anschließen, es aufnehmen oder tragen.** Wenn Sie beim Tragen des Elektrowerkzeuges den Finger am Schalter haben oder das Gerät eingeschaltet an die Stromversorgung anschließen, kann dies zu Unfällen führen.
- d) **Entfernen Sie Einstellwerkzeuge oder Schraubenschlüssel, bevor Sie das Elektrowerkzeug einschalten.** Ein Werkzeug oder Schlüssel, der sich in einem drehenden Geräteteil befindet, kann zu Verletzungen führen.
- e) **Vermeiden Sie eine abnormale Körperhaltung. Sorgen Sie für einen sicheren Stand und halten Sie jederzeit das Gleichgewicht.** Dadurch können Sie das Elektrowerkzeug in unerwarteten Situationen besser kontrollieren.
- f) **Tragen Sie geeignete Kleidung. Tragen Sie keine weite Kleidung oder Schmuck. Halten Sie Haare, Kleidung und Handschuhe fern von sich bewegendem Teilen.** Lockere

Kleidung, Schmuck oder lange Haare können von sich bewegendenden Teilen erfasst werden.

- g) Wenn Staubabsaug- und -auffangeinrichtungen montiert werden können, vergewissern Sie sich, dass diese angeschlossen sind und richtig verwendet werden.** Verwendung einer Staubabsaugung kann Gefährdungen durch Staub verringern.

#### **4. VERWENDUNG UND BEHANDLUNG DES ELEKTROWERKZEUGES**

- a) Überlasten Sie das Gerät nicht. Verwenden Sie für Ihre Arbeit das dafür bestimmte Elektrowerkzeug.** Mit dem passenden Elektrowerkzeug arbeiten Sie besser und sicherer im angegebenen Leistungsbereich.
- b) Benutzen Sie kein Elektrowerkzeug, dessen Schalter defekt ist.** Ein Elektrowerkzeug, das sich nicht mehr ein- oder ausschalten lässt, ist gefährlich und muss repariert werden.
- c) Entfernen Sie den Akku, bevor Sie Geräteeinstellungen vornehmen, Zubehörteile wechseln oder das Gerät weglegen.** Diese Vorsichtsmaßnahme verhindert den unbeabsichtigten Start des Elektrowerkzeuges.
- d) Bewahren Sie unbenutzte Elektrowerkzeuge außerhalb der Reichweite von Kindern auf. Lassen Sie Personen das Gerät nicht benutzen, die mit diesem nicht vertraut sind oder diese Anweisungen nicht gelesen haben.** Elektrowerkzeuge sind gefährlich, wenn Sie von unerfahrenen Personen benutzt werden.
- e) Pflegen Sie Elektrowerkzeuge mit Sorgfalt. Kontrollieren Sie, ob bewegliche Teile einwandfrei funktionieren und nicht klemmen, ob Teile gebrochen oder so beschädigt sind, dass die Funktion des Elektrowerkzeuges beeinträchtigt ist. Lassen Sie beschädigte Teile vor dem Einsatz des Gerätes reparieren.** Viele Unfälle haben ihre Ursache in schlecht gewarteten Elektrowerkzeugen.
- f) Halten Sie Schneidwerkzeuge scharf und sauber. Sorgfältig gepflegte Schneidwerkzeuge mit scharfen Schneidkanten verkleben sich weniger und sind leichter zu führen.**
- g) Verwenden Sie Elektrowerkzeug, Zubehör, Einsatzwerkzeuge usw. entsprechend diesen Anweisungen. Berücksichtigen Sie dabei die Arbeitsbedingungen und die auszuführende Tätigkeit.** Der Gebrauch von Elektrowerkzeugen für andere als die vorgesehenen Anwendungen kann zu gefährlichen Situationen führen.

#### **5. SERVICE**

- a) Lassen Sie Ihr Elektrowerkzeug nur von qualifiziertem Fachpersonal und nur mit Original-Ersatzteilen reparieren.** Damit wird sichergestellt, dass die Sicherheit des Gerätes erhalten bleibt.

## **ZUSÄTZLICHE WICHTIGE SICHERHEITSHINWEISE FÜR IHRE KABELLOSE HECKENSCHERE:**

- 1. Halten Sie alle Körperteile fern von der Schneide des Sägeblatts. Wenn sich das Sägeblatt bewegt, dürfen Sie bereits geschnittene Gegenstände nicht entfernen oder zu schneidende Gegenstände festhalten. Vergewissern Sie sich, dass der Schalter ausgeschaltet ist, wenn Sie verkantete Gegenstände freilegen.** Ist der Heckenschneider in Betrieb, braucht man nur einen Augenblick unaufmerksam zu sein, um schwere Körperverletzungen zu verursachen.
- 2. Tragen Sie den Heckenschneider am Griff bei angehaltenem Sägeblatt. Bringen Sie immer die Abdeckung der Schneidvorrichtung an, wenn Sie den Heckenschneider transportieren oder verstauen.** Sachgemäßer Umgang mit dem Heckenschneider verringert die Wahrscheinlichkeit von Körperverletzungen durch das Sägeblatt.
- 3. Halten Sie das Kabel vom Schneidebereich fern.** Während des Betriebs ist es möglich, dass das Kabel im Gebüsch versteckt ist und unabsichtlich vom Sägeblatt durchgeschnitten wird.
- 4. Halten Sie das Werkzeug nur an den isolierten griffigen Oberflächen, wenn Sie einen Einsatz durchführen, bei dem Schneidwerkzeuge eventuell versteckte Kabel berühren könnten.** Berührung mit einem unter Strom stehenden Kabel kann auch die Metallteile des Gerätes unter Strom setzen und dem Bedienenden einen Stromschlag versetzen.
5. Prüfen Sie die Hecke auf Fremdkörper, z. B. Drahtzäune.
6. Verwenden Sie beim Betrieb der Heckenschere beide Hände. Wird nur eine Hand verwendet, kann es zum Kontrollverlust und demzufolge zu schweren Verletzungen führen.
7. Es wird empfohlen, eine Fehlerstrom-Schutzeinrichtung mit einem Auslösestrom von 30 mA oder weniger zu verwenden.

## SYMBOLE



Lesen sie unbedingt die anleitung, damit es nicht zu verletzungen kommt.



Augenschutz tragen



Gehörschutz tragen



Staubschutzmaske tragen



Stromschlaggefahr



Falls das Netzkabel durchgeschnitten oder beschädigt wird, sofort den Netzstecker ziehen



Schutzisolation



Hände fernhalten



Elektroprodukte dürfen nicht mit dem normalen Haushaltsmüll entsorgt werden, sondern sollten nach Möglichkeit zu einer Recyclingstelle gebracht werden. Ihre zuständigen Behörden oder Ihr Fachhändler geben Ihnen hierzu gerne Auskunft.

## HINWEISE ZUM BETRIEB



**WARNUNG:** Verwenden sie das gerät niemals ohne handschutz und vorderen handgriff.

### BESTIMMUNGSGEMÄSSER GEBRAUCH

Das Gerät ist bestimmt für das Schneiden und Stutzen von Hecken und Büschen in Haus- und Hobbygärten.

#### 1. MONTAGE DES HANDSCHUTZES (Siehe Abb. A)

Stecken Sie den Handschutz in den vorgesehenen Steckplatz, siehe Abb. A. Prüfen Sie, dass er ordnungsgemäß befestigt ist. Befestigen Sie den Handschutz mithilfe zweier Schrauben.

#### 2. VORDERGRIFF MONTIEREN



**Vor Gebrauch muss der Frontgriff montiert werden:**

- 1) Bringen Sie den vorderen Handgriff am Gehäuse an. Stellen Sie sicher, dass die vorstehenden Markierungen am vorderen Handgriff perfekt in die passenden Vertiefungen am Gehäuse passen (Siehe Abb. B und C).
- 2) Ziehen Sie die 4 Schrauben an.
- 3) Prüfen Sie, ob der Griff sicher befestigt ist und ziehen Sie im Bedarfsfall die Schrauben nochmals an.

**Stellen Sie sicher, dass der Griff fest fixiert ist.**

#### 3. ZUGENTLASTUNG DES NETZKABELS (Siehe Abb. D)

Ein Halter für das Verlängerungskabel ist unbegriffen, um eine Belastung des Kabels zu vermeiden. Zur Nutzung dieser Vorrichtung formen Sie eine Schlaufe am Ende des Verlängerungskabels und ziehen Sie diese durch die Öffnung unten am zugentlastung des netzkabels, bevor Sie das Schlaufenende um den Haken winden und festziehen.

#### 4. EIN- UND AUSSCHALTEN (Siehe Abb. E)

##### VOR DEM EINSCHALTEN

Entfernen Sie die Messer-Schutzhülle (7).

##### EINSCHALTEN

Die Heckenschere hat zwei Schalthebel. Beide Schalthebel müssen zum Einschalten gedrückt werden. Halten Sie den vorderen Schalthebel (3) gedrückt und betätigen Sie den Schalthebel (2) (Siehe F).

##### AUSSCHALTEN

Fahren Sie mit der Heckenschere aus der Hecke heraus, ehe Sie sie ausschalten.

Lassen Sie zum Ausschalten einen der beiden Schalthebel los (Siehe Abb. F).



**WARNUNG:** Versuchen Sie nie, die Heckenschere zu verwenden, wenn Teile beschädigt sind oder fehlen. Lassen Sie die

Teile zuerst ersetzen oder reparieren. Andernfalls kann es zu schweren Verletzungen kommen. NICHT OHNE GRIFF UND SCHUTZEINRICHTUNG VERWENDEN

## 5. DAS ARBEITEN MIT DER HECKENSCHERE

Inspizieren Sie den Arbeitsbereich, und entfernen Sie alle Objekte, die entweder weggeschleudert oder in die Messer geraten könnten.

Halten Sie die Heckenschere beim Einschalten immer mit beiden Händen, so dass die Messer von Ihnen weg zeigen.

**Führen Sie das Kabel immer hinter sich. Legen Sie es nicht über die Hecke, damit Sie es nicht aus Versehen durchschneiden können.**

Führen Sie die Messer bei jungen Zweigen gleichmäßig hin und her, so dass die Zweige direkt in die Messer gezogen werden.

Lassen Sie die Heckenschere volle Geschwindigkeit erreichen, ehe Sie anfangen.

Arbeiten Sie niemals in Richtung anderer Personen oder Gegenstände wie z. B. Wände, große Steine, Bäume, Fahrzeuge usw.

Sofort ausschalten, falls die Messer blockieren.

Trennen Sie die Heckenschere vom Netz und beseitigen Sie die Blockierung. Kontrollieren Sie die Messer, und lassen Sie sie bei Bedarf reparieren oder ersetzen.

Tragen Sie beim Arbeiten an stacheligen oder dornigen Hecken Handschuhe.

Bewegen Sie die Messer so, dass die Zweige direkt in die Messer gezogen werden.

Versuchen Sie nicht, zu starke Zweige zu schneiden.

### **SCHEIDEN DER OBERSEITE**

**(Siehe Abb. G)**

Bewegen Sie die Messer gleichmäßig hin und her.

Optimale Ergebnisse erzielen Sie, wenn Sie die Messer ein wenig in Schnittrichtung neigen.

### **SCHEIDEN DER SEITENFLÄCHEN**

**(Siehe Abb. H)**

Beginnen Sie beim Schneiden der Seitenflächen unten und schneiden Sie aufwärts, wobei Sie die Hecke nach oben etwas verjüngen. Diese Form bringt die Hecke besser zur Geltung und lässt sie gleichmäßiger wachsen.

**! WARNUNG:** Verlängerungskabel vor jedem Gebrauch prüfen. Beschädigte Kabel sofort ersetzen. Verwenden Sie Ihr Gerät niemals mit einem beschädigten Kabel. Beim Berühren des beschädigten Bereichs können Sie einen Stromschlag erhalten und schwere Verletzungen erleiden. Lassen Sie ein beschädigtes Netzkabel von Ihrem Fachhändler austauschen. Schützen Sie die Heckenschere vor Nässe.

# WARTUNG

## REINIGUNG

Von der Netzversorgung abtrennen. Lufterlässe und Schneidblatt mit einer weichen Bürste säubern. Falls das Netzkabel beschädigt sein sollte, muss es vom Hersteller, einem seiner Service-Beauftragten oder einer ähnlich qualifizierten Person instandgesetzt werden, damit es nicht zu Gefährdungen kommt.

Wischen Sie das Gehäuse mit einem trockenen Tuch ab.



**! WARNUNG!** Reinigen Sie die Heckenschere niemals mit Wasser. Verwenden Sie keine Chemikalien, einschließlich Reinigungsbenzin, und keine Lösungsmittel; sie können wichtige Kunststoffteile beschädigen.

## PFLEGE DER MESSER

Geben Sie vor und nach dem Gebrauch zum Schutz und zur Pflege etwas Schmieröl auf die Messer. Vergewissern Sie sich vorher, dass die Heckenschere vom Netz getrennt ist. Ölen Sie das Sägeblatt in regelmäßigen Abständen (Siehe Abb. I). Auch während des Gebrauchs sollten Sie die Heckenschere hin und wieder ausschalten und vom Netz trennen, um die Messer zu ölen.

## VOR DEM WINTER

Reinigen Sie die Heckenschere gründlich. Kontrollieren Sie, ob alle Schrauben und Muttern fest sitzen.

Prüfen Sie die Heckenschere visuell auf abgenutzte oder beschädigte Teile.

## AUFBEWAHRUNG

Die Heckenschere an einem sicheren, trockenen Platz außerhalb der Reichweite von Kindern lagern. Keine anderen Gegenstände darauf stellen.

# UMWELTSCHUTZ



Elektroprodukte dürfen nicht mit dem normalen Haushaltsmüll entsorgt werden, sondern sollten nach Möglichkeit zu einer Recyclingstelle gebracht werden. Ihre zuständigen Behörden oder Ihr Fachhändler geben Ihnen hierzu gerne Auskunft.

# KONFORMITÄTSERKLÄRUNG

Wir,  
POSITEC Germany GmbH  
Konrad-Adenauer-Ufer 37  
50668 Köln

Erklären hiermit, dass unser Produkt  
Beschreibung **WORX Heckenschere**  
Typ **WG209E, WG210E (2- betegn timer maskin,  
angir Heckenschere)**  
Funktionen **Beschneiden von Hecken und  
Sträuchern**

Den Bestimmungen der folgenden Richtlinien  
entspricht:

**2006/42/EC**  
**2014/30/EU**  
**2011/65/EU**  
**2000/14/EC geändert durch 2005/88/EC**

2000/14/EC geändert durch 2005/88/EC  
- Konformitätsbewertungsverfahren nach **Anhang V**  
- Gemessene Schallleistung **97.4dB(A)**  
- Garantierte Schallleistung **98dB(A)**  
- Zertifizierungsstelle

Werte nach:

<b>EN 60745-1</b>	<b>EN 60745-2-15</b>
<b>EN ISO 3744</b>	<b>EN 55014-1</b>
<b>EN 55014-2</b>	<b>EN 61000-3-2</b>
<b>EN 61000-3-3</b>	

16

Zur Kompilierung der technischen Datei ermächtigte  
Person

**Name Russell Nicholson**  
**Anschrift Positec Power Tools (Europe) Ltd,**  
**PO Box 6242, Newbury, RG14 9LT, UK**



Suzhou 2016/10/20

Allen Ding

Stellvertretender Chefsingenieur, Prüfung und  
Zertifizierung



1. POIGNÉE ARRIÈRE
2. INTERRUPTEUR
3. INTERRUPTEUR AVANT
4. POIGNÉE AVANT
5. BOUCLIER DE SÉCURITÉ (PROTECTEUR)
6. LAME
7. ETUI PROTECTEUR DE LAME

\*Les accessoires reproduits ou décrits ne sont pas tous compris avec le modèle standard livré.

## CARACTÉRISTIQUES TECHNIQUES

Type **WG209E WG210E (2- désignations des pièces, illustration de la Taille haie)**

	WG209E	WG210E
Tension Nominale-Fréquence	230-240V ~ 50Hz	
Puissance	550W	600W
Vitesse à vide	2600/min	
Longueur de coupe	51cm	60cm
Diamètre de coupe	24mm	
Poids	2.7kg	2.8kg
Double isolation	☐ / II	

## DONNÉES SUR LE BRUIT ET LES VIBRATIONS

Niveau de pression sonore mesurée  $L_{pA}$ : 85dB(A)  $K=3dB(A)$

Niveau de puissance sonore mesurée  $L_{wA}$ : 100dB(A)

Porter un casque anti-bruit lorsque la pression sonore est supérieure à 80dB(A)



## INFORMATIONEN ÜBER VIBRATIONEN

Valeurs totales de vibrations déterminées selon l'EN 60745

Valeur de vibration mesurée	4.7m/s <sup>2</sup>
	Incertitude $K = 1.5m/s^2$

La valeur totale de vibration déclarée peut être utilisée pour comparer un outil à un autre, et peut également être utilisée dans une évaluation préliminaire de l'exposition.



**AVERTISSEMENT:** La valeur d'émission de vibrations pendant l'utilisation réelle de l'outil électrique peut différer de la valeur déclarée selon la façon dont l'outil est utilisé, selon les exemples suivants et d'autres variations sur la façon dont l'outil est utilisé:

Comment l'outil est utilisé et quels matériaux sont coupés ou percés.

L'outil est en bon état et bien entretenu.

L'utilisation du bon accessoire pour l'outil et l'assurance qu'il est affûté et en bon état.

Le serrage du grip sur les poignées et le cas échéant les accessoires anti-vibrations utilisés.

Et l'outil est utilisé comme prévu dans sa conception et dans les présentes instructions.

**Cet outil peut causer un syndrome de vibration du bras et de la main s'il n'est pas correctement géré.**



**AVERTISSEMENT:** Pour être précise, une évaluation du niveau d'exposition en conditions réelles d'utilisation doit également tenir compte de toutes les parties du cycle d'utilisation telles que les moments où l'outil est éteint, et ceux où il fonctionne au ralenti mais ne réalise pas réellement de tâche. Ceci peut réduire de façon significative le niveau d'exposition et la période de fonctionnement totale.

Aider à minimiser le risque d'exposition aux vibrations.

Utilisez TOUJOURS des ciseaux, des forets et des lames affûtés

Entretenez cet outil en accord avec les présentes instructions et maintenez-le lubrifié (si approprié)

Si l'outil doit être utilisé régulièrement, alors investissez dans des accessoires anti-vibrations.

Évitez d'utiliser des outils à des températures de 10°C ou moins

Planifiez votre travail pour étaler toute utilisation d'outil à fortes vibrations sur plusieurs jours.

## ACCESSOIRES

**Bouclier de sécurité** 1  
**Etui protecteur de lame** 1

Nous recommandons d'acheter tous les accessoires dans le magasin d'acquisition de la machine. Pour plus d'informations, se référer à l'emballage des accessoires. Le personnel du magasin est également là pour vous conseiller.

## AVERTISSEMENTS DE SÉCURITÉ GÉNÉRAUX POUR L'OUTIL



**AVERTISSEMENT! Lire tous les avertissements de sécurité et toutes les instructions.** Ne pas suivre les avertissements et instructions peut donner lieu à un choc électrique, un incendie et/ou une blessure sérieuse.

**Conserver tous les avertissements et toutes les instructions pour pouvoir s'y reporter ultérieurement.**

Le terme «outil» dans les avertissements fait référence à votre outil électrique alimenté par le secteur (avec cordon d'alimentation) ou votre outil fonctionnant sur batterie (sans cordon d'alimentation).

### 1. SÉCURITÉ DE LA ZONE DE TRAVAIL

- Conserv**er la zone de travail propre et bien éclairée. Les zones en désordre ou sombres sont propices aux accidents.
- Ne pas faire fonctionner les outils électriques en atmosphère explosive, par exemple en présence de liquides inflammables, de gaz ou de poussières.** Les outils électriques produisent des étincelles qui peuvent enflammer les poussières ou les fumées.
- Maintenir les enfants et les personnes présentes à l'écart pendant l'utilisation de l'outil.** Les distractions peuvent vous faire perdre le contrôle de l'outil.

### 2. SÉCURITÉ ÉLECTRIQUE

- Il faut que les fiches de l'outil électrique soient adaptées au socle. Ne jamais modifier la fiche de quelque façon que ce soit. Ne pas utiliser d'adaptateurs avec des outils à branchement de terre.** Des fiches non modifiées et des socles adaptés réduiront le risque de choc électrique.
- Éviter tout contact du corps avec des surfaces reliées à la terre telles que les tuyaux, les radiateurs, les cuisinières et les réfrigérateurs.** Il existe un risque accru de choc électrique si votre corps est relié à la terre.
- Ne pas exposer les outils à la pluie ou à des**

**conditions humides.** La pénétration d'eau à l'intérieur d'un outil augmentera le risque de choc électrique.

- Ne pas maltraiter le cordon. Ne jamais utiliser le cordon pour porter, tirer ou débrancher l'outil. Maintenir le cordon à l'écart de la chaleur, du lubrifiant, des arêtes ou des parties en mouvement.** Des cordons endommagés ou emmêlés augmentent le risque de choc électrique.
- Lorsqu'on utilise un outil à l'extérieur, utiliser un prolongateur adapté à l'utilisation extérieure.** L'utilisation d'un cordon adapté à l'utilisation extérieure réduit le risque de choc électrique.
- Si l'usage d'un outil dans un emplacement humide est inévitable, utiliser une alimentation protégée par un dispositif à courant différentiel résiduel (DDR).** L'usage d'un DDR réduit le risque de choc électrique.

### 3. SÉCURITÉ DES PERSONNES

- Restez vigilant, regardez ce que vous êtes en train de faire et faites preuve de bon sens dans votre utilisation de l'outil. Ne pas utiliser un outil lorsque vous êtes fatigué ou sous l'emprise de drogues, d'alcool ou de médicaments.** Un moment d'inattention en cours d'utilisation d'un outil peut entraîner des blessures graves des personnes.
- Utiliser un équipement de sécurité. Toujours porter une protection pour les yeux.** Les équipements de sécurité tels que les masques contre les poussières, les chaussures de sécurité antidérapantes, les casques ou les protections acoustiques utilisés pour les conditions appropriées réduiront les blessures de personnes.
- Éviter tout démarrage intempestif. S'assurer que l'interrupteur est en position arrêt avant de brancher l'outil au secteur et/ou au bloc de batteries, de le ramasser ou de le porter.** Porter les outils en ayant le doigt sur l'interrupteur ou brancher des outils dont l'interrupteur est en position marche est source d'accidents.
- Retirer toute clé de réglage avant de mettre l'outil en marche.** Une clé laissée fixée sur une partie tournante de l'outil peut donner lieu à des blessures de personnes.
- Ne pas se précipiter. Garder une position et un équilibre adaptés à tout moment.** Cela permet un meilleur contrôle de l'outil dans des situations inattendues.
- S'habiller de manière adaptée. Ne pas porter de vêtements amples ou de bijoux. Garder les cheveux, les vêtements et les gants à distance des parties en mouvement.** Des vêtements amples, des bijoux ou les cheveux longs peuvent être pris dans des parties en mouvement.
- Si des dispositifs sont fournis pour le raccordement d'équipements pour l'extraction et la récupération des**

**poussières, s'assurer qu'ils sont connectés et correctement utilisés.** Utiliser des collecteurs de poussière peut réduire les risques dus aux poussières.

#### **4. UTILISATION ET ENTRETIEN DE L'OUTIL**

- a) **Ne pas forcer l'outil. Utiliser l'outil adapté à votre application.** L'outil adapté réalisera mieux le travail et de manière plus sûre au régime pour lequel il a été construit.
- b) **Ne pas utiliser l'outil si l'interrupteur ne permet pas de passer de l'état de marche à arrêt et vice versa.** Tout outil qui ne peut pas être commandé par l'interrupteur est dangereux et il faut le réparer.
- c) **Débrancher la fiche de la source d'alimentation en courant et/ou le bloc de batteries de l'outil avant tout réglage, changement d'accessoires ou avant de ranger l'outil.** De telles mesures de sécurité préventives réduisent le risque de démarrage accidentel de l'outil.
- d) **Conserver les outils à l'arrêt hors de la portée des enfants et ne pas permettre à des personnes ne connaissant pas l'outil ou les présentes instructions de le faire fonctionner.** Les outils sont dangereux entre les mains d'utilisateurs novices.
- e) **Observer la maintenance de l'outil. Vérifier qu'il n'y a pas de mauvais alignement ou de blocage des parties mobiles, des pièces cassées ou toute autre condition pouvant affecter le fonctionnement de l'outil. En cas de dommages, faire réparer l'outil avant de l'utiliser.** De nombreux accidents sont dus à des outils mal entretenus.
- f) **Garder affûtés et propres les outils permettant de couper.** Des outils destinés à couper correctement entretenus avec des pièces coupantes tranchantes sont moins susceptibles de bloquer et sont plus faciles à contrôler.
- g) **Utiliser l'outil, les accessoires et les lames etc., conformément à ces instructions, en tenant compte des conditions de travail et du travail à réaliser.** L'utilisation de l'outil pour des opérations différentes de celles prévues pourrait donner lieu à des situations dangereuses.

#### **5. MAINTENANCE ET ENTRETIEN**

- a) **Faire entretenir l'outil par un réparateur qualifié utilisant uniquement des pièces de rechange identiques.** Cela assurera le maintien de la sécurité de l'outil.

## **AVERTISSEMENTS DE SECURITE LIES AU TAILLE-HAIE:**

1. **Maintenez toutes les parties du corps éloignées de la lame de coupe. N'enlevez pas la matière coupée, et en tenez pas la matière à couper pendant que les lames sont en mouvement. Assurez-vous que l'interrupteur est éteint lorsque vous enlevez des morceaux de matière coupée.** Un moment d'inattention lors de l'utilisation du taille-haie peut causer de graves blessures personnelles.
2. **Portez le taille-haie par la poignée et avec la lame de coupe arrêtée. Lorsque vous transportez ou stockez le taille-haie, montez toujours le cache du système de coupe.** Une manipulation appropriée du taille-haie réduit le risque de blessure personnelle en raison des lames de coupe.
3. **Gardez le câble éloigné de la zone de coupe.** Pendant le fonctionnement, le câble peut être caché dans des buissons et peut être accidentellement coupé par la lame.
4. **Tenir l'outil par ses surfaces antidérapantes et isolées si l'outil de coupe risque d'entrer en contact avec des câbles cachés.** L'entrée en contact avec un câble sous tension rendra les parties en métal de l'outil également sous tension et l'utilisateur pourrait recevoir une décharge électrique.
5. **Vérifier la haie pour détecter la présence de corps étrangers, tels que par ex. des clôtures barbelées.**
6. **Utiliser les deux mains pour faire fonctionner le taille-haie. L'utilisation d'une seule main peut entraîner une perte de contrôle et conduire à des blessures graves.**
7. **Recommandation d'utilisation d'un interrupteur différentiel ayant un courant de déclenchement de 30 mA ou moins.**

## SYMBOLES



Pour réduire le risque de blessure, l'utilisateur doit lire le manuel d'instructions



Porter des lunettes de protection



Porter une protection pour les oreilles



Porter un masque contre la poussière



Ne pas utiliser votre taille haie par temps de pluie



Eteindre ! Débrancher la prise avant tout réglage, entretien ou si le câble est emmêlé ou endommagé.



Double isolation



Tenez les mains à l'écart



Les déchets d'équipements électriques et électroniques ne doivent pas être déposés avec les ordures ménagères. Ils sont collectés pour être recyclés dans des centres spécialisés. Consultez les autorités locales ou votre revendeur pour obtenir des renseignements sur l'organisation de la collecte.

## FONCTIONNEMENT



**AVERTISSEMENT!** Ne pas mettre en marche l'appareil sans avoir auparavant monté le bouclier protecteur et la poignée avant.

### UTILISATION CONFORME

L'appareil est conçu pour découper et tailler des haies et des buissons dans des jardins domestiques et de plaisance.

### 1. MONTAGE DU BOUCLIER PROTECTEUR (Voir A)

Insérez le protecteur dans la fente comme l'illustre la Fig. A, en vous assurant qu'il est bien fixé. Utilisez deux vis pour bien fixer le protecteur.

Use two screws to fix the guard securely.

### 2. ASSEMBLAGE DE LA POIGNÉE AVANT



**La poignée avant doit être assemblée avant utilisation:**

- 1) Attachez la poignée avant au boîtier. Assurez-vous que les marques en saillie sur la poignée avant s'intègrent parfaitement dans les creux correspondants du boîtier (Voir B & C).
- 2) Resserrez les 4 vis.
- 3) Vérifiez si la poignée est solidement fixée et si nécessaire, resserrez les vis.

**Assurez-vous que la poignée tient bien en place.**

### 3. SERRE-CÂBLE POUR LE CÂBLE D'ALIMENTATION (Voir D)

Un serre-câble pour maintenir le câble d'extension est fourni afin de réduire la tension sur le câble d'alimentation. Pour utiliser ce dispositif, formez une boucle à l'extrémité du câble d'extension et passez-la à travers l'ouverture en bas du serre-câble, puis enroulez l'extrémité de la boucle autour du crochet et tirez pour serrer.

### 4. FONCTIONNEMENT (Voir E) MISE EN ROUTE ET ARRÊT

Avant de démarrer votre taille haie, enlevez l'étui protecteur de la lame comme indiqué figure E.

#### POUR DÉMARRER VOTRE TAILLE-HAIE

Vous pouvez alors brancher l'appareil. Ce dernier est équipé d'un double interrupteur de sécurité (2 et 3). La mise en route ne peut s'effectuer que si les deux interrupteurs (2 et 3) sont pressés simultanément.

#### POUR ARRÊTER VOTRE TAILLE-HAIE

Avant d'arrêter votre taille haie, veillez bien à ce qu'il ne soit plus en contact avec la végétation. Pour l'arrêter, relâchez l'un des deux interrupteurs.



**AVERTISSEMENT:** Si une quelconque pièce est manquante, abîmée ou cassée, ne mettez pas en route votre taille haie. Faites réparer ou changez les pièces endommagées pour des raisons de sécurité

## 5. POUR DES COUPES HORIZONTALES OU VERTICALES COURANTES

Inspectez la zone à couper avant chaque utilisation, enlevez les objets qui peuvent être projetés ou se bloquer dans les lames de coupe.

Tenez toujours le taille haie des deux mains et avec la lame éloignée de vous avant de mettre en marche.

**Tenez toujours le cordon d'alimentation derrière le taille haie en fonctionnement. Ne le placez pas sur la haie que vous taillez où il pourrait être coupé par la lame.**

Quand vous taillez de nouvelles pousses, effectuez un large mouvement de balayage pour que les tiges arrivent directement dans la lame.

Laissez les lames atteindre leur pleine vitesse avant d'y laisser pénétrer le matériau à couper.

Travaillez toujours en vous éloignant des gens et des objets solides comme les murs, les grosses pierres, les arbres, les véhicules etc.

Si la lame se bloque, arrêtez immédiatement le taille haie. Débranchez le taille haie du secteur et éliminez les débris bloqués des lames de coupe. Portez des gants quand vous taillez des pousses épineuses.

Déplacez le taille haie pour faire entrer les branches directement sur le bord des lames de coupe.

N'essayez pas de couper les tiges qui sont trop grandes pour entrer dans la lame de coupe.

### COUPES HAUTES (Voir G)

Donnez au taille- haie un mouvement de large amplitude dans les 2 sens. Une légère inclinaison des lames de haut en bas accompagnant le mouvement donnera une excellente qualité de coupe.

### COUPES SUR LES CÔTÉS (Voir H)

Pour la taille de côté, démarrez par le bas de la haie, coupez en remontant en effectuant une taille conique du bas vers le haut. Cette forme permet une meilleure exposition de la haie et une croissance plus uniforme.



**AVERTISSEMENT:** Vérifiez les prolongateurs électriques avant chaque utilisation. En cas d'endommagement, remplacez-les immédiatement. N'utilisez jamais votre outil avec un cordon endommagé car la zone endommagée pourrait causer une électrocution et par conséquent de graves blessures. Si le cordon d'alimentation est endommagé, vous devez le faire remplacer dans un centre de maintenance local agréé.

Faites attention à ne pas exposer cet outil à la pluie.

## ENTRETIEN ET MAINTENANCE

### NETTOYAGE

Retirez le pack batterie. Utilisez une brosse souple pour retirer les débris de toutes les entrées d'air et de la lame de coupe.

Si l'alimentation est endommagée, elle doit être remplacée par le fabricant, son agent de maintenance ou une personne qualifiée de façon similaire, afin d'éviter tout danger.

Essayez la surface au moyen d'un chiffon sec.



**AVERTISSEMENT!** N'utilisez jamais d'eau pour nettoyer votre taille-haie. Ne nettoyez pas avec des produits chimiques, dont le pétrole ou les solvants, car cela pourrait endommager votre taille-haie.

### GRAISSAGE DE LA LAME DE COUPE

Pour faciliter l'opération et prolonger la durée de vie, graissez les lames de coupe avant et après chaque utilisation. Avant le graissage, assurez-vous que la batterie est retirée du taille-haie. Appliquez de l'huile entre les lames périodiquement. (Voir I) Votre taille-haie devrait être arrêté, déconnecté et huilé occasionnellement.

### À LA FIN DE LA SAISON DE COUPE

Nettoyez votre taille-haie à fond.

Vérifiez que tous les écrous et boulons sont bien fixés.

Inspectez visuellement le taille-haie pour détecter toute pièce usée ou endommagée.

### POUR RANGER VOTRE TAILLE-HAIE

Ranger le taille-haies dans un endroit sec et sûr, et hors de portée des enfants. Ne pas poser d'autres objets sur l'appareil.

## PROTECTION DE L'ENVIRONNEMENT



Les déchets d'équipements électriques et électroniques ne doivent pas être déposés avec les ordures ménagères. Ils sont collectés pour être recyclés dans des centres spécialisés. Consultez les autorités locales ou votre revendeur pour obtenir des renseignements sur l'organisation de la collecte.

# DÉCLARATION DE CONFORMITÉ

Nous,  
POSITEC Germany GmbH  
Konrad-Adenauer-Ufer 37  
50668 Köln

Déclarons que ce produit,  
Description **WORX Taille haie**  
Modèle **WG209E, WG210E WG209E, WG210E**  
**(2- désignations des pièces, illustration de la Taille haie)**  
Fonctions **Émondage des haies et des buissons**

Est conforme aux directives suivantes

**2006/42/EC**  
**2014/30/EU**  
**2011/65/EU**  
**2000/14/EC modifiée par 2005/88/EC**

2000/14/CE modifiée par 2005/88/CE

- Procédure d'évaluation de la conformité conformément à **Annex V**  
- Niveau de pression acoustique **97.4dB(A)**  
- Niveau d'intensité acoustique **98dB(A)**

Et conforme aux normes,

**EN 60745-1**                    **EN 60745-2-15**  
**EN ISO 3744**                **EN 55014-1**  
**EN 55014-2**                **EN 61000-3-2**  
**EN 61000-3-3**

La personne autorisée à compiler le dossier technique,

**Nom Russell Nicholson**  
**Adresse Positec Power Tools (Europe) Ltd, PO**  
**Box 6242, Newbury, RG14 9LT, UK**



Suzhou 2016/10/20

Allen Ding

Ingénieur en chef adjoint, Essais & Certification

1. **IMPUGNATURA POSTERIORE**
2. **INTERRUTTORE**
3. **INTERRUTTORE ANTERIORE (AZIONABILE DA OGNI POSIZIONE)**
4. **IMPUGNATURA ANTERIORE**
5. **PROTEZIONE**
6. **LAMA**
7. **COPERTURA LAMA**


**\*Accessori illustrati o descritti non fanno necessariamente parte del volume di consegna.**

## DATI TECNICI

Tipo **WG209E WG210E (2- designazione del macchinario rappresentativo del Tosasiepi)**

	WG209E	WG210E
Tensione nominale	230-240V ~ 50Hz	
Potenza nominale	550W	600W
Velocità a vuoto nominale	2600/min	
Ampiezza di taglio	51cm	60cm
Diametro di taglio	24mm	
Peso	2.7kg	2.8kg
Classe protezione	□ / II	

## RUMORE E DATI TECNICI


Rumorosità pesata	$L_{pA}$ : 85dB(A) $K=3$ dB(A)
Potenza acustica pesata	$L_{wA}$ : 100dB(A)
Indossare cuffie di protezione dell'udito quando la pressione supera gli 80dB(A)	

## INFORMAZIONI SULLA VIBRAZIONE

I valori totali di vibrazione sono determinati secondo lo standard EN 60745:

Vibrazione ponderata tipica	4.7m/s <sup>2</sup>
	Incertezza K = 1.5m/s <sup>2</sup>

Il valore totale di vibrazione dichiarato potrebbe essere usato per mettere a confronto un utensile con un altro; inoltre è possibile usarlo per effettuare una valutazione preliminare dell'esposizione alla vibrazione.

 **AVVERTENZA:** Il valore delle vibrazioni emesse durante il reale utilizzo dello strumento possono differire dal valore dichiarato in base ai modi con cui viene usato lo strumento, ai seguenti esempi e ad altre variabili: Come viene usato l'apparecchio e i materiali tagliati o forati.


Le condizioni e la buona manutenzione dello strumento

L'uso dell'accessorio corretto per il taglio e la sua affilatura, nonché le sue buone condizioni.

La stretta sull'impugnatura e l'eventuale utilizzo di accessori antivibrazione.

L'adeguatezza dell'utilizzo dell'utensile rispetto a quanto previsto.

**Questo strumento potrebbe causare la sindrome della vibrazione dell'avambraccio se il suo utilizzo non viene gestito correttamente.**

 **AVVERTENZA:** Per essere precisi, una stima del livello di esposizione nelle attuali condizioni di utilizzo dovrebbe anche tenere conto di tutte le parti del ciclo operativo, come le volte in cui lo strumento viene spento e il tempo in cui viene lasciato girare a vuoto senza realmente fare il suo lavoro. Questo potrebbe ridurre significativamente il livello di esposizione sul periodo di lavoro totale. Un aiuto a minimizzare il proprio rischio di esposizione alle vibrazioni.

Usare sempre scalpelli, trapani e lame affilati.

Conservare questo strumento sempre in conformità a queste istruzioni e mantenerlo ben lubrificato (dove appropriato).

Se lo strumento deve essere usato regolarmente, investire in accessori antivibrazione.

Evitare l'utilizzo dello strumento a temperature di 10°C o inferiori

Pianificare il programma di lavoro in modo da suddividere i lavori che implicano le maggiori vibrazioni nell'arco di più giorni.

## ACCESSORI

Protezione

1

Copertura lama

1

Si raccomanda di acquistare tutti gli accessori nello stesso negozio in cui è stato acquistato l'attrezzo.

Fare riferimento alla confezione dell'accessorio per altri dettagli. Il personale del negozio può aiutarvi e consigliarvi.

## AVVISI GENERALI PER LA SICUREZZA DEGLI UTENSILI A MOTORE



**ATTENZIONE!** È assolutamente necessario leggere attentamente tutte le istruzioni. Eventuali errori nell'adempimento delle istruzioni qui di seguito riportate potranno causare scosse elettriche, incendi e/o lesioni gravi.

**Conservare tutti gli avvisi e le istruzioni per poterle consultare quando necessario.**

Il termine qui di seguito utilizzato «utensile elettrico» si riferisce ad utensili elettrici alimentati dalla rete (con linea di allacciamento), nonché ad utensili elettrici alimentati a pile (senza linea di allacciamento).

### 1. POSTO DI LAVORO

- Mantenere pulito ed ordinato il posto di lavoro.** Il disordine e le zone di lavoro non illuminate possono essere fonte di incidenti.
- Evitare d'impiegare l'utensile in ambienti soggetti al rischio di esplosioni nei quali si trovino liquidi, gas o polveri infiammabili.** Gli utensili elettrici producono scintille che possono far infiammarsi la polvere o i gas.
- Mantenere lontani i bambini ed altre persone durante l'impiego dell'utensile elettrico.** Eventuali distrazioni potranno comportare la perdita del controllo sull'utensile.

### 2. SICUREZZA ELETTRICA

- La spina per la presa di corrente dovrà essere adatta alla presa. Evitare assolutamente di apportare modifiche alla spina. Non impiegare spine adattatrici assieme ad utensili con collegamento a terra.** Le spine non modificate e le prese adatte allo scopo riducono il rischio di scosse elettriche.
- Evitare il contatto fisico con superfici collegate a terra, come tubi, riscaldamenti, cucine elettriche e frigoriferi.** Sussiste un maggior rischio di scosse elettriche nel momento in cui il corpo è messo a massa.
- Custodire l'utensile al riparo dalla pioggia o dall'umidità.** L'eventuale infiltrazione di acqua in un utensile elettrico va ad aumentare il rischio d'insorgenza di scosse elettriche.
- Non usare il cavo per scopi diversi da quelli previsti al fine di trasportare o appendere**

**l'apparecchio, oppure di togliere la spina dalla presa di corrente. Mantenere l'utensile al riparo da fonti di calore, dall'olio, dagli spigolosi da parti di strumenti in movimento.** I cavi danneggiati o aggrovigliati aumentano il rischio d'insorgenza di scosse elettriche.

- Qualora si voglia usare l'utensile all'aperto, impiegare solo ed esclusivamente cavi di prolunga omologati per l'impiego all'esterno.** L'uso di un cavo di prolunga omologato per l'impiego all'esterno riduce il rischio d'insorgenza di scosse elettriche.
- Se si deve utilizzare l'utensile a motore in un luogo umido, utilizzare una fonte di alimentazione con protezione a corrente residua.** L'uso di un dispositivo a corrente residua riduce il rischio di folgorazioni elettriche.

### 3. SICUREZZA DELLE PERSONE

- È importante concentrarsi su ciò che si sta facendo e a maneggiare con giudizio l'utensile elettrico durante le operazioni di lavoro. Non utilizzare l'utensile in caso di stanchezza o sotto l'effetto di droghe, bevande alcoliche e medicinali.** Un attimo di distrazione durante l'uso dell'utensile potrà causare lesioni gravi.
- Indossare sempre equipaggiamento protettivo individuale, nonché guanti protettivi.** Se si avrà cura d'indossare equipaggiamento protettivo individuale come la maschera antipolvere, la calzatura antisdrucciolevole di sicurezza, il casco protettivo o la protezione dell'udito, a seconda dell'impiego previsto per l'utensile elettrico, si potrà ridurre il rischio di ferite.
- Evitare avviamenti involontari. Controllare che l'interruttore sia nella posizione off prima di effettuare il collegamento a una sorgente di alimentazione/batteria, e prima di sollevare o trasportare l'utensile.** Il fatto di tenere il dito sopra all'interruttore o di collegare l'utensile accesso all'alimentazione di corrente potrà essere causa di incidenti.
- Togliere gli attrezzi di regolazione o la chiave inglese prima di accendere l'utensile.** Un utensile o una chiave inglese che si trovino in una parte di strumento in rotazione potranno causare lesioni.
- È importante non sopravvalutarsi. Avere curati mettersi in posizione sicura e di mantenere l'equilibrio.** In tale maniera sarà possibile controllare meglio l'apparecchio in situazioni inaspettate.
- Indossare vestiti adeguati. Evitare di indossare vestiti lenti o gioielli. Tenere i capelli, i vestiti ed i guanti lontani da pezzi in movimento.** Vestiti lenti, gioielli o capelli lunghi potranno impigliarsi in pezzi in movimento.
- Se sussiste la possibilità di montare dispositivi di aspirazione o di captazione della polvere, assicurarsi che gli stessi siano stati installati correttamente e vengano utilizzati senza errori.** L'impiego dei suddetti dispositivi diminuisce il pericolo rappresentato dalla polvere.



## AVVISI DI SICUREZZA PER IL TOSASIEPI:

4. **Maneggio ed impiego accurato di utensili elettrici**
  - a) **Non sovraccaricare l'utensile. Impiegare l'utensile elettrico adatto per sbrigare il lavoro.** Utilizzando l'utensile elettrico adatto si potrà lavorare meglio e con maggior sicurezza nell'ambito della gamma di potenza indicata.
  - b) **Non utilizzare utensili elettrici con interruttori difettosi.** Un utensile elettrico che non si può più accendere o spegnere è pericoloso e dovrà essere riparato.
  - c) **Scollegare la spina dalla sorgente di alimentazione e/o la batteria dall'utensile prima di effettuare regolazione, cambiare accessori, o riporre gli utensili a motore.** Tale precauzione eviterà che l'apparecchio possa essere messo in funzione inavvertitamente.
  - d) **Custodire gli utensili elettrici non utilizzati al di fuori della portata dei bambini. Non fare usare l'apparecchio a persone che non sono abituate ad usarlo o che non abbiano letto le presenti istruzioni.** Gli utensili elettrici sono pericolosi se utilizzati da persone inesperte.
  - e) **Effettuare accuratamente la manutenzione dell'apparecchio. Verificare che le parti mobili dello strumento funzionino perfettamente e non s'inceppino, che non ci siano pezzi rotti o danneggiati al punto tale da limitare la funzione dell'apparecchio stesso. Far riparare le parti danneggiate prima d'impiegare l'apparecchio.** Numerosi incidenti vengono causati da utensili elettrici la cui manutenzione è stata effettuata poco accuratamente.
  - f) **Mantenere affilati e puliti gli utensili da taglio.** Gli utensili da taglio curati con particolare attenzione e con taglienti affilati s'inceppano meno frequentemente e sono più facili da condurre.
  - g) **Utilizzare utensili elettrici, accessori, attrezzi, ecc. in conformità con le presenti istruzioni e secondo quanto previsto per questo tipo specifico di apparecchio. Osservare le condizioni di lavoro ed il lavoro da eseguirsi durante l'impiego.** L'impiego di utensili elettrici per usi diversi da quelli consentiti potrà dar luogo a situazioni di pericolo.

### 5. ASSISTENZA

- a) **Fare riparare l'apparecchio solo ed esclusivamente da personale specializzato e solo impiegando pezzi di ricambio originali.** In tale maniera potrà essere salvaguardata la sicurezza dell'apparecchio.

1. **Tenere tutte le parti del corpo distanti dalla lama di taglio. Non rimuovere il materiale tagliato e non tenere il materiale da tagliare quando le lame sono in movimento. Controllare che l'interruttore sia in posizione spento quando si toglie materiale inceppato.** È sufficiente un momento di disattenzione nell'uso del tosasiepi per provocare gravi lesioni personali.
2. **Trasportare il tosasiepi prendendolo dall'impugnatura con la lama di taglio ferma. Per il trasporto o lo stoccaggio del tosasiepi, inserire sempre la protezione della lama di taglio.** Se il tosasiepi viene maneggiato in modo corretto, si riducono le possibilità di lesioni causate dalle lame di taglio.
3. **Tenere il cavo lontano dall'area di taglio.** Durante il funzionamento il cavo si può nascondere tra i cespugli e la lama lo può tagliare per errore.
4. **Afferrare lo strumento per le apposite maniglie quando si eseguono operazioni durante le quali l'attrezzo potrebbe entrare in contatto con cavi nascosti.** Il contatto con cavi elettrici in tensione espone l'operatore al rischio di scosse elettriche.
5. Controllare il cespuglio per la presenza di oggetti estranei, per esempio recinzioni metalliche.
6. Utilizzare entrambe le mani quando si impiega il tagliasiepi. L'uso di una sola mano potrebbe causare la perdita del controllo e provocare gravi lesioni personali.
7. Raccomandazione per l'uso di un interruttore differenziale con una corrente di intervento di 30 mA o inferiore.

## SIMBOLI



Per ridurre il rischio di lesioni, l'utente deve leggere il manuale di istruzioni



Indossare occhiali protettivi



Indossare protezione per le orecchie



Indossare una mascherina antipolvere



Non esporre alla pioggia



Se il cavo è danneggiato rimuovere immediatamente la spina dalla presa.



Doppio isolamento



Tenere lontane le mani



I prodotti elettrici non possono essere gettati tra i rifiuti domestici. L'apparecchio da rottamare deve essere portato al centro di riciclaggio per un corretto trattamento. Controllare con le autorità locali o con il rivenditore per localizzare il centro di riciclaggio più vicino.

## PROCEDURA PER LA CARICA



**ATTENZIONE!** Non utilizzare il prodotto senza aver inserito la protezione.

### USO CONFORME ALLE NORME

L'utensile è previsto per tagliare e tosare siepi e cespugli del Vostro giardino.

### 1. MONTAGGIO DELLA PROTEZIONE (Si Veda La Figura A )

Inserire la protezione nell'alloggio, come illustrato nella figura A, assicurandosi che sia ben fissata. Usare due viti per fissare la protezione.

### 2. MONTAGGIO DELL'IMPUGNATURA ANTERIORE



**Prima dell'utilizzo procedere al montaggio dell'impugnatura frontale:**

- 1) Collegare la maniglia anteriore all'involucro. Assicurarsi che i contrassegni che sporgono dalla maniglia anteriore si inseriscano perfettamente nelle apposite scanalature dell'involucro. (Si Veda La Figura B & C)
- 2) Stringere le 4 viti.
- 3) Controllare che la maniglia sia ben stretta, in caso contrario restringere le viti.

**Assicurarsi che l'impugnatura sia saldamente fissata.**

### 3. DISPOSITIVO ALLENTA TENSIONE DEL CAVO ELETTRICO (Si Veda La Figura D)

Per ridurre la tensione sulla prolunga l'apparecchio è dotato di uno strumento di contenzione. Per usare questa caratteristica formare un nodo alla fine della prolunga e farlo passare attraverso l'apertura che si trova in fondo allo strumento di contenzione del cavo, poi avvolgere la fine del nodo attorno al gancio e tirare per stringere.

### 4. AZIONAMENTO E ARRESTO (Si Veda La Figura E)

#### PRIMA DI AZIONARE IL TAGLIA SIEPI

Rimuovere la protezione della lama (7) come illustrato in E.

#### AZIONARE IL TAGLIA SIEPI

Collegare il taglia siepi alla presa e procedere all'azionamento. Sono presenti due interruttori (2 e 3), entrambi devono essere premuti per azionare il taglia siepi. Premere e tenere premuto l'interruttore sull'impugnatura anteriore (3) e quindi premere anche il secondo interruttore (2) presente sull'impugnatura posteriore.

#### ARRESTARE IL TAGLIA SIEPI

Prima di arrestare il taglia siepi spostarsi dall'area di taglio.

Per arrestarlo, rilasciare uno dei due interruttori .



**ATTENZIONE:** Se qualsiasi parte è mancante, danneggiata o rotta non utilizzare il taglia siepi fino a quando tutte le parti

danneggiate non siano state sostituite o riparate. Non seguire queste norme di sicurezza potrà comportare gravi rischi alle persone.

## 5. COME UTILIZZARE IL TAGLIA SIEPI

Prima di qualsiasi utilizzo ispezionare la zona da tagliare, asportare oggetti che potrebbero essere rimbalzati via o rimanere intrappolati nelle lame. Prima di accenderlo impugnare sempre il taglia siepi con entrambe le mani, con la punta rivolta lontano dal corpo.

**Durante l'utilizzo tenere sempre il cavo della corrente dietro il taglia siepi. Non appoggiarlo sulla siepe che si sta tagliando, luogo in cui potrebbe essere tagliato dalla lama.**

Quando si tagliano nuovi germogli, usare dei movimenti ampi e circolari in modo che gli steli vengano indirizzati direttamente verso la lama. Lasciare che le lame raggiungano la piena velocità prima di avvicinarle al materiale da tagliare. Lavorare sempre lontano da persone e oggetti solidi come muri, grosse pietre, alberi, veicoli ecc. Se la lama si inceppa, arrestare immediatamente il taglia siepi. Togliere la spina dalla presa di corrente ed eliminare i detriti che hanno provocato l'inceppamento dalla lama.

Indossare i guanti quando si tagliano piante spinose o urticanti.


Spostare il taglia siepi in modo che i rami siano rivolti direttamente verso il lato tagliente della lama. Non cercare di tagliare germogli troppo grossi per la lama.

### TAGLIO ORIZZONTALE SUPERIORE (Si Veda La Figura G)

Usare ampi movimenti laterali sinistra e destra. Una leggera inclinazione della lama verso il basso, nella direzione di taglio, permetterà migliori risultati.

### TAGLIO FRONTALE E LATERALE (Si Veda La Figura H)

Quando si procede al taglio frontale e laterale, cominciare sempre dal basso verso l'alto (Vedi J) arrotondando il lato della siepe. Questa forma esporrà al sole più superficie della siepe e quindi permetterà una crescita uniforme della stessa.


 **ATTENZIONE:** Controllare le prolunghie prima di qualsiasi utilizzo. Procedere alla loro sostituzione se danneggiate. Non utilizzare mai l'apparecchio con il cavo danneggiato in modo da evitare il rischio di folgorazione. Nel caso in cui il cavo fosse danneggiato procedere alla sostituzione tramite un centro servizi autorizzato. Non esporre l'apparecchio alla pioggia.

# MANUTENZIONE

## PULIZIA

Scollegare l'apparecchio dalla presa. Utilizzare una spazzola morbida per rimuovere i residui dalla lama e dalle prese d'aria.

Se il cavo di alimentazione è danneggiato, deve essere sostituito dal produttore, dal centro servizi o da personale qualificato in modo da evitare rischi. Pulire la superficie dell'apparecchio con un panno asciutto.

 **ATTENZIONE!** Non utilizzare mai acqua per pulire l'apparecchio. Non utilizzare prodotti chimici, compresa benzina, o solventi in quanto potrebbero danneggiare l'apparecchio.

## LUBRIFICARE LA LAMA

Lubrificare le lame prima e dopo ogni utilizzo per garantire una maggiore durata delle stesse e delle operazioni di taglio migliori. Prima di lubrificare assicurarsi che l'apparecchio sia scollegato dalla presa e fare attenzione che l'olio filtri tra le due lame (Si Veda La Figura I). L'apparecchio, occasionalmente, potrebbe necessitare di lubrificazione anche durante l'utilizzo.


## AL TERMINE DELLA STAGIONE DI TOSATURA

Pulire accuratamente il decespugliatore. Controllare che tutti i dadi ed i bulloni siano stretti. Ispezionare il decespugliatore per individuare parti consumate o danneggiate.

## RIPORRE IL TAGLIASIEPI

Conservare la taglia siepi in un posto sicuro che sia asciutto e che non sia accessibile a bambini. Non poggiarvi mai altri oggetti sopra.

# TUTELA AMBIENTALE

 I prodotti elettrici non possono essere gettati tra i rifiuti domestici. L'apparecchio da rottamare deve essere portato al centro di riciclaggio per un corretto trattamento. Controllare con le autorità locali o con il rivenditore per localizzare il centro di riciclaggio più vicino.

# DICHIARAZIONE DI CONFORMITÀ

Noi,  
POSITEC Germany GmbH  
Konrad-Adenauer-Ufer 37  
50668 Köln

Dichiara che l'apparecchio,  
Descrizione **WORX Tosasiepi**  
Tipo **WG209E, WG210E (2- designazione del  
macchinario rappresentativo del Tosasiepi)**  
Funzione **L'utensile è previsto per tagliare e  
tosare siepi ecespugli del Vostro giardino.**

È conforme alle seguenti direttive,  
Direttiva macchine  
**2006/42/EC**  
**2014/30/EU**  
**2011/65/EU**  
**2000/14/EC modificato da 2005/88/EC**

2000/14/EC modificato da 2005/88/EC  
- Procedura di conformità come da **Annex V**  
- Potenza acustica pesata **97.4dB(A)**  
- Massima potenza di rumore garantita **98dB(A)**

Conforme a,  
**EN 60745-1**                    **EN 60745-2-15**  
**EN ISO 3744**                **EN 55014-1**  
**EN 55014-2**                **EN 61000-3-2**  
**EN 61000-3-3**

Il responsabile autorizzato alla compilazione della  
documentazione tecnica,  
**Nome Russell Nicholson**  
**Indirizzo Positec Power Tools (Europe) Ltd, PO**  
**Box 6242, Newbury, RG14 9LT, UK**



Suzhou 2016/10/20  
Allen Ding  
Vice capo ingegnere, testing e certificazione

## 1. EMPUÑADURA TRASERA

## 2. INTERRUPTOR

## 3. INTERRUPTOR DELANTERA

## 4. EMPUÑADURA DELANTERA

## 5. PROTECCIÓN

## 6. CUCHILLA

## 7. FUNDA PROTECTORA DE CUCHILLA

**\*Los accesorios ilustrados o descritos pueden no corresponder al material suministrado de serie con el aparato.**

# DATOS TÉCNICOS

Modelo **WG209E, WG210E (2- denominaciones de maquinaria, representantes de cortasetos)**

	WG209E	WG210E
Tensión nominal	230-240V ~ 50Hz	
Potencia nominal	550W	600W
Velocidad sin carga nominal	2600/min	
Longitud de corte	51cm	60cm
Diámetro de corte	24mm	
Peso de la máquina	2.7kg	2.8kg
Doble aislamiento	□ / II	

# RUIDO Y DATOS DE VIBRACIÓN

Nivel de presión acústica de ponderación  $L_{pA}$ : 85dB(A)  
 $K=3dB(A)$

Nivel de potencia acústica de ponderación  $L_{WA}$ : 100dB(A)

Úsese protección auditiva cuando la presión acústica sea mayor a 80dB(A)



# INFORMACIÓN DE VIBRACIÓN

Los valores totales de vibración se determinan según la norma EN 60745:

Frecuencia de vibración típica	4.7m/s <sup>2</sup>
	Incertidumbre $K = 1.5m/s^2$

El valor total de vibración declarado se puede utilizar para comparar una herramienta con otra y también en una evaluación preliminar de exposición.



**ADVERTENCIA:** El valor de emisión de vibraciones durante el uso de la herramienta podría diferir del valor declarado dependiendo de la forma en que se use la herramienta según los ejemplos siguientes, y otras variaciones sobre el uso de la herramienta:

Cómo se utiliza la herramienta y se cortan o perforan los materiales.

Si la herramienta se encuentra en buenas condiciones de mantenimiento.

Si se utiliza el accesorio correcto para la herramienta y se garantiza que está afilado y en buenas condiciones.

Si se agarran las asas firmemente y se utilizan accesorios antivibración.

Y si la herramienta se utiliza según su diseño y estas instrucciones.

**Esta herramienta podría causar síndrome de vibración del brazo y la mano si no se utiliza correctamente.**



**ADVERTENCIA:** Para conseguir una mayor precisión, debe tenerse en cuenta una estimación del nivel de exposición en condiciones reales de todas las partes del ciclo de uso, como los tiempos durante los que la herramienta está apagado o cuando esta en funcionamiento pero no está realizando ningún trabajo. Ello podría reducir notablemente el nivel de exposición sobre el periodo de carga total.

Ayuda a minimizar el riesgo de exposición a la vibración.

Utilice SIEMPRE cinceles, brocas y cuchillas afiladas. Mantenga esta herramienta de acuerdo con estas instrucciones y bien lubricada (si es necesario).

Si la herramienta se utiliza regularmente, invierta en accesorios antivibración.

Evite el uso de herramientas a temperaturas de 10°C o menos.


Planifique su programa de trabajo para distribuir el uso de la herramienta a lo largo de varios días.

# ACCESORIOS

- Tapa de protección** 1
- Funda protectora de cuchilla** 1

Recomendamos que adquiera todos sus accesorios en el mismo comercio donde compró la herramienta. Consulte los estuches de los accesorios para más detalles. El personal del comercio también puede ayudar y aconsejar.

## ADVERTENCIA DE SEGURIDAD GENERALES SOBRE HERRAMIENTAS ELÉCTRICAS

 **¡ Advertencia! Leer todas las instrucciones.** Si no se respetan las instrucciones, existe un riesgo de descargas eléctricas, de incendio y/o de graves heridas.

**Conserve todas las advertencias e instrucciones para futuras consultas.** El término “herramienta eléctrica” en todas las advertencias siguientes corresponde a la herramienta eléctrica con o sin cable.

### 1. ZONA DE TRABAJO

- a) Mantener su lugar de trabajo limpio y bien iluminado.** Bancos de trabajo desordenados y lugares oscuros invitan a los accidentes.
- b) No utilizar herramientas eléctricas en atmósferas explosivas, como por ejemplo en presencia de líquidos inflamables, gases o polvo.** Las herramientas eléctricas crean chispas que pueden encender el polvo o los vapores.
- c) Mantener alejados a los niños y visitantes mientras opera una herramienta eléctrica.** Las distracciones pueden hacerle perder el control.

### 2. SEGURIDAD ELÉCTRICA

- a) Los enchufes de la herramienta eléctrica deben encajar perfectamente en el tomacorriente. Nunca modificar el enchufe de ninguna manera. No utilizar adaptadores con herramientas eléctricas conectadas a tierra.** Los enchufes no modificados y los que encajan perfectamente en el tomacorriente reducirán el riesgo de descarga eléctrica.
- b) Evitar el contacto del cuerpo con superficies conectadas a tierra tales como caños, radiadores, cocinas y heladeras.** Existe un riesgo creciente de descarga eléctrica si su cuerpo queda conectado a tierra.
- c) No exponer las herramientas eléctricas a la lluvia y no guardar en lugares húmedos.** El agua que penetra en ellas aumentará el riesgo de una descarga eléctrica.
- d) No abusar del cable. Nunca utilizar el cable para transportar, tirar o desenchufar la**

**herramienta eléctrica. Mantener el cable alejado del calor, del aceite, de bordes agudos o piezas móviles.** Los cables dañados o enredados aumentan el riesgo de descarga eléctrica.

- e) Cuando utilice su herramienta eléctrica al aire libre, emplear un prolongador apto para uso en exteriores.** El empleo de cables para uso al aire libre reduce el riesgo de descarga eléctrica.
- f) Si es necesario utilizar la herramienta motorizada en un lugar muy húmedo, utilice una fuente de alimentación con dispositivo de corriente residual (RCD).** El uso de un RCD reduce el riesgo de descarga eléctrica.

### 3. SEGURIDAD PERSONAL

- a) Mantenerse alerta, poner atención en lo que está haciendo y utilice el sentido común mientras opera una herramienta eléctrica. No emplear la herramienta cuando se encuentre cansado o bajo la influencia de drogas, alcohol o medicación.** Un momento de falta de atención durante el manejo de herramientas eléctricas puede dar lugar a daños corporales serios.
- b) Utilizar equipo de seguridad. Usar siempre protección ocular.** Equipo de seguridad como máscaras contra el polvo, zapatos antideslizantes de seguridad, sombrero o protección auditiva para condiciones apropiadas reducirá daños corporales.
- c) Evite el arranque accidental. Asegúrese de que el interruptor se encuentra desactivado antes de enchufar la máquina o colocar la batería, al tomar la herramienta o transportarla.** Transportar herramientas con el dedo en el interruptor o enchufar la herramienta cuando el interruptor está encendido invitan a los accidentes.
- d) Retire llaves de ajuste o llaves inglesas antes de poner la herramienta en funcionamiento.** Una llave que queda unida a una pieza móvil de la herramienta puede originar daños corporales.
- e) No extralimitarse. Mantenerse firme y con buen equilibrio en todo momento.** Esto permite un mejor control de la herramienta en situaciones inesperadas.
- f) Vestirse apropiadamente. No usar ropa suelta ni alhajas. Mantener su cabello, ropa y guantes alejados de las piezas móviles.** La ropa suelta, las alhajas o el cabello largo pueden ser atrapados por las piezas móviles.
- g) Si se proporcionan dispositivos para la extracción y recolección de polvo, asegurarse de que estos estén conectados y utilizados correctamente.** El uso de estos dispositivos puede reducir peligros relacionados con el polvo.

### 4. MANTENIMIENTO DE LA HERRAMIENTA MOTORIZADA

- a) **No forzar la herramienta eléctrica. Utilizar la herramienta eléctrica correcta para su aplicación.** La herramienta eléctrica correcta hará el trabajo mejor y más seguro a la velocidad para la cual fue diseñada.
- b) **No utilizar la herramienta eléctrica si el interruptor no la enciende o apaga.** Cualquier herramienta eléctrica que no pueda ser controlada con el interruptor es peligrosa y debe ser reparada.
- c) **Desconecte el enchufe de la toma eléctrica y/o la batería de la herramienta antes de realizar cualquier ajuste, cambiar un accesorio o guardar la herramienta.** Tales medidas de seguridad preventivas reducen el riesgo de arranque accidental de la herramienta.
- d) **Mantener las herramientas eléctricas que no usa fuera del alcance de los niños y no permita que personas no familiarizadas con la herramienta o con estas instrucciones maneje la herramienta eléctrica.** Las herramientas eléctricas son peligrosas en manos de usuarios inexpertos.
- e) **Revisar las herramientas eléctricas. Comprobar si hay desalineamiento o atascamiento de piezas móviles, rotura de piezas en general y cualquier otra condición que pueda afectar la operación normal de la herramienta. Si se verifican daños, recurra a un service calificado antes de volver a usar la herramienta.** Las herramientas mal mantenidas causan muchos accidentes.
- f) **Mantener las piezas de corte limpias y afiladas.** Puesto que son menos probables de atascarse y más fáciles de controlar.
- g) **Utilizar la herramienta eléctrica, accesorios y brocas etc., de acuerdo con estas instrucciones y de la manera prevista para el tipo particular de herramienta eléctrica, teniendo en cuenta las condiciones de trabajo y el trabajo a ser realizado.** El uso de la herramienta eléctrica para otras operaciones distintas de lo previsto podría dar lugar a una situación peligrosa.

## 5. REPARACIÓN

- a) **Permitir que el mantenimiento de su herramienta eléctrica sea efectuado por una persona calificada usando solamente piezas de recambio idénticas.** Esto es primordial para mantener la seguridad de la herramienta eléctrica.

## ADVERTENCIAS DE SEGURIDAD DE LA RECORTADORA:

- 1. **Conserve todas las partes del cuerpo alejadas de la cuchilla de corte. No retire el material cortado ni sostenga el material**

**a cortar con las cuchillas en movimiento. Asegúrese de apagar la herramienta antes de extraer material atascado.** Un momento de desatención durante el uso de la recortadora podría resultar en una lesión personal seria.

- 2. **Transporte la recortadora por el mango con la cuchilla de corte detenida. Mientras transporta o conserva la recortadora, mantenga instalada siempre la cubierta del dispositivo.** Un manejo adecuado de la recortadora permitirá reducir las posibles lesiones personales relacionadas con las cuchillas de corte.
- 3. **Mantenga el cable alejado del área de corte.** Durante el uso de la herramienta, el cable podría quedar oculto entre los arbustos y resultar cortado por la cuchilla.
- 4. **Sostenga la herramienta por las empuñaduras aislantes cuando realice una operación donde la herramienta de corte puede entrar en contacto con cableado oculto.** El contacto con un cable con corriente también hará que las partes expuestas del metal de la herramienta puedan transmitirle una descarga eléctrica.
- 5. Compruebe si hay objetos extraños en el seto, como p.ej. vallas metálicas.
- 6. Utilice ambas manos para manejar el cortasetos. Si solo utiliza una mano, podría perder el control de la herramienta y resultar herido de gravedad.
- 7. Recomendaciones para el uso de un dispositivo de corriente residual con una corriente de disparo de 30 mA o menos.

## SÍMBOLOS



Para reducir el riesgo de lesión, lea el manual de instrucciones



Utilice protección auditiva



Utilice protección ocular



Utilice una máscara antipolvo



A fin de evitar la posibilidad de descarga eléctrica, no use en ambientes mojados o húmedos.



¡Apague! Desenchufe la máquina antes de efectuar cualquier ajuste, limpieza, o si el cable está enredado o dañado.



Doble aislamiento



Mantenga las manos alejadas



Los residuos de equipamientos eléctricos y electrónicos no deben depositarse con las basuras domésticas. Se recogen para reciclarse en centros especializados. Consulte las autoridades locales o su distribuidor para obtener información sobre la organización de la recogida.

## FUNCIONAMIENTO



**¡ADVERTENCIA!** No utilice el producto sin instalar la protección.

### UTILIZACIÓN REGLAMENTARIA

El aparato ha sido diseñado para realizar trabajos de corte y de poda en setos y arbustos en jardines domésticos.

#### 1. MONTAJE DE LA TAPA DE PROTECCIÓN (Véase A)

Inserte la protección en la ranura como muestra la Fig. A, y utilice dos tornillos para fijar la protección en su lugar.

Utilice dos tornillos para fijar la protección con seguridad.

#### 2. MONTAJE DE LA EMPUÑADURA FRONTAL



**Debe montarse la empuñadura frontal antes del uso:**

- 1) Acople el asa frontal la carcasa. Asegúrese de que las marcas que sobresalen en el asa frontal se ajustan perfectamente en la hendidura correspondiente de la carcasa. (Véase B y C)
- 2) Apriete los 4 tornillos.
- 3) Compruebe si en el asa está firmemente sujeto. Si no es así, vuelva a apretar los tornillos.

**Asegúrese de que la manivela quede firmemente fijada a su lugar.**

#### 3. LIBERAR LA TENSIÓN DEL CABLE DE ALIMENTACIÓN (Véase D)

Se proporciona un retenedor para reducir la tensión del cable de alimentación. Para utilizar esta función, forme un nudo al final del alargador y hágalo pasar por la abertura situada en la parte inferior del

retenedor del alargador. A continuación, pase el extremo del nudo alrededor del gancho y tire para apretar.

#### 4. PUESTA EN MARCHA Y PARADA (Véase E) ANTES DE PONER EN MARCHA SU PODADORA DE SETOS

Extraiga la protección de la cuchilla (7).

Pueda entonces conectar el aparato.

Su cortasetos está equipado con un sistema de seguridad de puesta en marcha, basado en pulsar dos palancas (2 y 3) para lograr poner en marcha el aparato.

Mantenga pulsada la palanca frontal (3) y presione el gatillo del interruptor (2).

#### PARA DETENER SU CORTASETOS

Aleje su cortasetos del área de corte antes de detenerlo.

Para detenerlo, libere una de las palancas .



**¡ADVERTENCIA!** Si falta cualquiera pieza o si está dañada o rota, no ponga en marcha su cortasetos. Haga repararlo o cambie las piezas dañadas para razones de seguridad.

#### 5. TRABAJAR CON EL CORTASETOS PARA CORTES HORIZONTALES O VERTICALES

Inspeccione el área a cortar antes de cada uso, retire los objetos que puedan salir despedidos o atascarse en las cuchillas de corte.

Sostenga siempre el cortasetos con ambas manos y con la cuchilla alejada antes de arrancarlo.

**Mantenga siempre el cable de alimentación detrás del cortasetos mientras se encuentre en uso. No lo coloque sobre el seto que está recortando o podría cortarlo con la cuchilla.**

Si está recortando un seto nuevo, mueva ampliamente el cortasetos de forma que las ramas entren en contacto directo con la cuchilla.

Deje que las cuchillas de corte alcancen toda su velocidad antes de penetrar en el material a cortar. Trabaje siempre en dirección opuesta a las personas y objetos sólidos circundantes, como paredes, piedras grandes, árboles, vehículos, etc.

Si la cuchilla se atasca, detenga inmediatamente el cortasetos. Desconecte el cortasetos de la toma de alimentación y retire los residuos atascados de las cuchillas de corte.

Utilice guantes para recortar setos espinosos.

Mueva el cortasetos para cortar directamente las ramas con los bordes cortantes.

No intente cortar las ramas que sean demasiado largas con la cuchilla.

#### ALTOS CORTES (Véase G)

Haga un movimiento de amplia amplitud en los 2 sentidos con su cortasetos. Una ligera inclinación de las cuchillas de arriba abajo que acompaña el movimiento dará una excelente calidad de corte.

#### CORTES EN LOS LADOS (Véase H)

Para el corte de lado, arranque por la parte inferior del seto, corte subiéndolo y efectuando un corte cónico de la parte baja hacia arriba. Esta forma permite una mejor exposición del seto y un crecimiento más uniforme.





**¡ADVERTENCIA:** Compruebe los cables prolongadores antes de cada uso. Reemplácelos si se encuentran dañados. Nunca utilice la herramienta con un cable dañado. Tocar el área dañada podría causar una descarga eléctrica resultante en una lesión severa. Si el cable de alimentación se encuentra dañado, deberá ser reemplazado por un Centro de asistencia autorizado. No exponga esta herramienta a la lluvia.

## MANTENIMIENTO

### LIMPIEZA

Extraiga la batería. Utilice una brocha suave para eliminar los restos de todas las tomas de aire y la cuchilla. Los niños deben ser supervisados para asegurarse de que no juegan con el aparato. Si el cable de alimentación está dañado, debe ser reemplazado por el fabricante, su service autorizado o personas calificadas, a fin de evitar riesgos. Limpie la superficie con un paño seco.



**¡ADVERTENCIA:** Nunca utilice agua para limpiar el cortasetos. No lo limpie con productos químicos. No utilice petróleo o disolventes. Podrían dañar su cortasetos.

### LUBRICAR LA CUCHILLA

Para facilitar el uso del aparato y prolongar su vida útil, lubrique las cuchillas antes y después de cada uso. Antes de realizar la operación de lubricado, extraiga la batería del cortasetos. Aplique grasa entre las dos cuchillas regularmente. (Véase I) Detenga, desconecte y engrase su cortasetos ocasionalmente durante el uso.

### AL FINAL DE LA TEMPORADA DE CORTE

Limpie el cortasetos completamente. Compruebe que todas las tuercas y tornillos se encuentran bien colocados. Inspeccione visualmente el cortasetos en busca de componentes desgastados o dañados.

### PARA GUARDAR SU CORTASETOS

Guardar la tijera cortasetos en un lugar seguro, seco y fuera del alcance de los niños. No depositar ningún objeto encima de ella.

## PROTECCION AMBIENTAL



Los residuos de equipamientos eléctricos y electrónicos no deben depositarse con las basuras domésticas. Se recogen para reciclarse en centros especializados.

Consulte las autoridades locales o su revendedor para obtener informaciones sobre la organización de la recogida.

## DECLARACIÓN DE CONFORMIDAD

Los que reciben,  
POSITEC Germany GmbH  
Konrad-Adenauer-Ufer 37  
50668 Köln

Declaran que el producto Descripción **Cortasetos WORX**  
Modelo **WG209E, WG210E (2- denominaciones de maquinaria, representantes de cortasetos)**  
Funciones **Cortar setos y maleza**

Cumple con las siguientes directivas,  
**2006/42/EC**  
**2014/30/EU**  
**2011/65/EU**  
**2000/14/EC modificada por 2005/88/EC**

2000/14/EC modificada por 2005/88/EC:  
- Procedimiento de evaluación de la conformidad de acuerdo con **Annex V**  
- Nivel de presión acústica **97.4dB**  
- Nivel de intensidad acústica **98dB**

Cumple las normativas  
**EN 60745-1**                      **EN 60745-2-15**  
**EN ISO 3744**                **EN 55014-1**  
**EN 55014-2**                **EN 61000-3-2**  
**EN 61000-3-3**

La persona autorizada para componer el archivo técnico,  
**Firma Russell Nicholson**  
**Dirección Positec Power Tools (Europe) Ltd,**  
**PO Box 6242, Newbury, RG14 9LT, UK**



Suzhou 2016/10/20  
Allen Ding  
Ingeniero Jefe Adjunto. Pruebas y Certificación

**1. HANDVAT ACHTER**

**2. SCHAKELAAR**

**5. DRUKSCHAKELAAR VOOR**

**6. HANDVAT VOOR**

**7. BESCHERMKAP**


**8. SNIJBLAD**

**9. BESCHERMKOKER**

**\*Sommige afgebeelde of beschreven toebehoren worden niet meegeleverd.**

## TECHNISCHE GEGEVENS

Type **WG209E WG210E (2- aanduiding van machinerie, kenmerkend voor Heggenschaar)**

	WG209E	WG210E
Nominale spanning	230-240V ~ 50Hz	
Vermogen	550W	600W
Nominale snelheid onbelast	2600/min	
Snijlengte	51cm	60cm
Mesdiameter	24mm	
Gewicht machine	2.7kg	2.8kg
Dubbele isolatie	 / II	

## GELUIDSGEGEVENS

A-gewogen geluidsdruk

$L_{pA}$ : 85dB(A)  
 $K=3dB(A)$

A-gewogen geluidsvermogen

$L_{wA}$ : 100dB(A)

Draag gehoorbescherming wanneer de geluidsdruk hoger is dan 80dB(A)



## TRILLINGSGEGEVENS

Totale trillingswaarden (triax vector-som) volgens EN 60745:

T Gewogen trillingswaarden	4.7m/s <sup>2</sup>
	Fout K = 1.5m/s <sup>2</sup>

De opgegeven totale trillingswaarde kan worden gebruikt om een gereedschap met een ander te vergelijken en kan ook dienen als een voorlopige beoordeling van de blootstelling.



**WAARSCHUWING:** De mate van trilling tijdens gebruik van deze vermogensmachine kan verschillen van de nominale waarde, afhankelijk van de wijze waarop de machine wordt gebruikt, zoals in de volgende voorbeelden:

Hoe de machine gebruikt wordt en hoe het materiaal gesneden of geboord wordt.

De conditie en de onderhoudstoestand van de machine.

Gebruik van de juiste toebehoren. Zorg ervoor dat ze scherp zijn en in goede conditie.

De wijze waarop de handvatten worden vastgehouden en het gebruik van toebehoren die trillingen verminderen.

De machine moet gebruik worden zoals door de ontwerper bedoeld is en in overeenstemming met deze instructies.

**Deze machine kan een trillingsyndroom in hand en arm veroorzaken als hij niet op de juiste wijze gehanteerd wordt.**



**WAARSCHUWING:** Voor de nauwkeurigheid moet bij een schatting van het blootstellingsniveau in de feitelijke gebruiksomstandigheden rekening worden gehouden met alle delen van de bewerking, zoals het moment dat de machine wordt uitgeschakeld en de tijden waarop de machine loopt zonder daadwerkelijk gebruikt te worden. Dit kan het blootstellingsniveau over de totale werkperiode aanzienlijk verminderen. De blootstelling aan trillingen verminderen.

Gebruik ALTIJD scherpe beitels, boren en zaagbladen. Onderhoud de machine volgens deze instructies en houd hem goed gesmeerd (voor zover van toepassing)

Wordt de machine geregeld gebruikt, schaf dan toebehoren tegen trillingen aan.

Vermijd het gebruik bij temperaturen van 10°C of minder

Plan de werkzaamheden zodat de taken met veel trillingen over een aantal dagen verspreid worden.

# TOEBEHOREN

Beschermkap 1  
Beschermkoker 1

Wij adviseren u alle accessoires te kopen in de winkel waar u het gereedschap heeft gekocht. Kijk op de verpakking van het accessoire voor meer informatie. Ook het winkelpersoneel kan u helpen en adviseren.

## ALGEMENE VEILIGHEIDSWAARSCHUWINGEN VOOR VERMOGENSMACHINE



**WAARSCHUWING! Lees alle instructies zorgvuldig door.** Indien u zich niet aan alle onderstaande instructies houdt, kan dat leiden tot een elektrische schok, brand en/of ernstig letsel.

### Bewaar alle waarschuwingen en instructies voor latere naslag.

De term "(elektrisch) gereedschap" in de waarschuwingen hieronder, verwijst naar uw op netspanning werkende gereedschap (met stroomdraad) of uw accugereedschap (draadloos).

#### 1. WERKGEBIED

- Houd uw werkgebied schoon en zorg ervoor dat deze goed verlicht is.** In rommelige en slecht verlichte werkgebieden gebeuren sneller ongelukken.
- Gebruik elektrisch gereedschap niet in explosieve atmosferen, zoals in de nabijheid van ontvlambare vloeistoffen, gassen of stof.** Elektrisch gereedschap veroorzaakt vonken die de stof of de gassen kunnen doen ontvlammen.
- Houd kinderen en omstanders uit de buurt terwijl u met elektrisch gereedschap werkt.** Afleidingen kunnen ervoor zorgen dat u de controle over het gereedschap verliest.

#### 2. ELEKTRISCHE VEILIGHEID

- De stekker van het elektrisch gereedschap moet passen in het stopcontact. Pas de stekker op geen enkele manier aan om te zorgen dat hij wel past. Gebruik geen adapterstekkers terwijl u geaard elektrisch gereedschap gebruikt.** Onaangepaste stekkers die in het stopcontact passen, verminderen de kans op een elektrische schok.
- Vermijd lichamelijk contact met geaarde of gegronde oppervlakken, zoals buizen, radiatoren, fornuizen en koelkasten.** Als uw lichaam geaard of geground is, is er een grotere kans op een elektrische schok.
- Stel uw elektrische gereedschap niet bloot aan regen of natte omstandigheden.** Water dat elektrisch gereedschap kan binnendringen, vergroot de kans op een elektrische schok.

- Gebruik de stroomdraad niet op een andere manier dan waarvoor deze gemaakt is. Trek niet aan de stroomdraad, ook niet om de stekker uit het stopcontact te krijgen en draag het gereedschap niet door het aan de stroomdraad vast te houden. Houd de stroomdraad uit de buurt van hitte, olie, scherpe hoeken en bewegende onderdelen.** Beschadigde of verwarde stroomdraden vergroten de kans op een elektrische schok.
- Wanneer u het elektrische gereedschap buitenshuis gebruikt, dient u te zorgen voor een verlengsnoer dat geschikt is voor gebruik buitenshuis.** Het gebruik van een verlengsnoer dat geschikt is voor gebruik buitenshuis, vermindert de kans op een elektrische schok.
- Moet een krachtmachine in een vochtige locatie worden gebruikt, gebruik dan een aardlekschakelaar (ALS).** Een ALS vermindert het gevaar op elektrische schokken.

#### 3. PERSOONLIJKE VEILIGHEID

- Blijf alert, kijk waar u mee bezig bent en gebruik uw gezonde verstand wanneer u met elektrisch gereedschap werkt. Gebruik geen elektrisch gereedschap wanneer u moe bent of onder de invloed van drugs, alcohol of medicijnen.** Een moment van onoplettendheid bij het gebruik van elektrisch gereedschap kan leiden tot ernstig persoonlijk letsel.
- Gebruik een veiligheidsuitrusting. Draag altijd oogbescherming. Een veiligheidsuitrusting, zoals een stofmasker, schoenen met antislipzolen, een veiligheidshelm, of oorbescherming die onder de juiste omstandigheden gebruikt wordt, vermindert de kans op persoonlijk letsel.**
- Pas op dat het apparaat niet onbedoeld wordt gestart. Zorg ervoor dat de schakelaar uit staat voordat u de voeding en/of batterij aansluit, en als u de machine oppakt en draagt.** Gereedschap dragen terwijl u uw vinger op de schakelaar houdt, of de stekker in het stopcontact steken terwijl het gereedschap ingeschakeld staat, is vragen om ongelukken.
- Verwijder inbussleutels of moersleutels voordat u het gereedschap inschakelt.** Een sleutel die nog in of op een draaiend onderdeel van het elektrische gereedschap zit, kan leiden tot ernstig persoonlijk letsel.
- Werk niet boven uw macht. Zorg er altijd voor dat u stevig staat en goed in balans bent.** Hierdoor heft u betere controle over het gereedschap in onverwachte situaties.
- Draag geschikte kleding. Draag geen loszittende kleding of sieraden. Houd uw haar, kleding en handschoenen uit de buurt van bewegende onderdelen.** Loszittende kleding, sieraden of lang haar kan vast komen te zitten in bewegende onderdelen.
- Wanneer er apparaten worden bijgeleverd**

voor stofafzuiging en –opvang, zorg er dan voor dat deze aangesloten zijn en op de juiste manier gebruikt worden. Het gebruik van deze apparaten vermindert de gevaren die door stof kunnen ontstaan.

#### 4. GEBRUIK EN ONDERHOUD VAN ELEKTRISCH GEREEDSCHAP

- a) **Forceer het gereedschap niet. Gebruik gereedschap dat voor de toepassing geschikt is.** Het gebruik van geschikt gereedschap levert beter werk af en werkt veiliger als het gebruikt wordt op de snelheid waar het voor ontworpen is.
- b) **Gebruik het gereedschap niet wanneer de aan/uitschakelaar niet functioneert.** Gereedschap dat niet kan worden bediend met behulp van de schakelaar is gevaarlijk en dient te worden gerepareerd.
- c) **Neem de stekker uit het stopcontact en/of verwijder de batterij voordat u instellingen verandert, toebehoren vervangt of de machine opbergt.** Deze preventieve veiligheidsmaatregelen verminderen de kans op het ongewild inschakelen van het gereedschap.
- d) **Berg gereedschap dat niet gebruikt wordt buiten het bereik van kinderen op en laat personen die niet bekend zijn met het gereedschap of met deze veiligheidsinstructies het gereedschap niet bedienen.** Elektrisch gereedschap kan in de handen van ongetrainde gebruikers gevaarlijk zijn.
- e) **Onderhoud elektrisch gereedschap op de juiste wijze. Controleer of bewegende onderdelen nog goed uitgelijnd staan, of ze niet ergens vastzitten en controleer op elke andere omstandigheid die ervoor kan zorgen dat het gereedschap niet goed functioneert. Wanneer het gereedschap beschadigd is, dient u het te repareren voordat u het in gebruik neemt.** Veel ongelukken worden veroorzaakt door slecht onderhouden elektrisch gereedschap.
- f) **Houd snijdend gereedschap schoon en scherp.** Goed onderhouden snijdend gereedschap met scherpe zaagbladen/messen zal minder snel vastlopen en is makkelijker te bedienen.
- g) **Gebruik het gereedschap, de accessoires, de bitjes, enz. in overeenstemming met deze instructies en op de manier zoals bedoeld voor het specifieke type elektrisch gereedschap, rekening houdend met de werkomstandigheden en het uit te voeren werk.** Het gereedschap gebruiken voor andere doeleinden dan waar deze voor ontworpen is, kan gevaarlijke situaties opleveren.

#### 5. SERVICE

- a) **Laat uw elektrisch gereedschap repareren door een bevoegde reparateur die alleen originele reserveonderdelen gebruikt.** Zo bent u er zeker van dat uw gereedschap veilig blijft.

## VEILIGHEIDSWAARSCHUWINGEN

- 1. Houd alle lichaamsdelen uit de buurt van het snijblad. Verwijder het materiaal niet en houd het niet vast terwijl het snijblad in beweging is. Zorg ervoor dat de schakelaar uit staat als u vastgelopen materiaal verwijdert.** Een ogenblik van onoplettendheid bij het gebruik van de heggenschaar kan ernstig persoonlijk letsel tot gevolg hebben.
- 2. Draag de heggenschaar aan het handvat met een stilstaand snijblad. Vervoert u de heggenschaar of slaat u hem op, gebruik dan altijd de beschermkap van het snijblad.** Door de heggenschaar met zorg te behandelen vermindert u de kans op letsel door het snijblad.
- 3. Houd de kabel uit de buurt van het werkgebied.** Tijdens hert werk kan de kabel tussen begroeiing verborgen zijn waardoor u hem onbedoeld doorsnijdt.
- 4. Houd het gereedschap vast bij de geïsoleerde handvatten als u een actie onderneemt waarbij het priemende gereedschap in contact kan komen met verborgen kabels.** Contact met een kabel waar spanning op staat zet tevens spanning op metalen onderdelen van het apparaat en geeft de gebruiker een schok.
5. Controleer of er geen vreemde voorwerpen in de haag zitten, bijvoorbeeld afsluiting.
6. Gebruik beide handen wanneer u de haagschaar gebruikt. Als u maar een hand gebruikt, dank an dit leiden dat u geen controle meer hebt en tot ernstige verwondingen.
7. Gebruik van een reststroomapparaat met een schakelstroom van 30 mA of minder wordt aanbevolen.

## SYMBOLLEN



Om het risico op letsels te beperken, moet u de gebruikershandleiding lezen



Draag oogbescherming



Draag oorbescherming



Draag een stofmasker



Stel niet bloot aan regen, om een elektrische schok te voorkomen



Haal de stekker direct uit het stopcontact wanneer het snoer beschadigd is of doorgesneden wordt.



Dubbele isolatie



Zorg dat uw handen niet geklemd raken



Afgedankte elektrische producten kunt u niet met het normale huisafval weggooien. Breng deze producten, indien mogelijk, naar een recyclecentrum bij u in de buurt. Vraag de verkoper of de gemeente naar informatie en advies over het recyclen van elektrische producten.

## BEDIENINGSINSTRUCTIES



**WAARSCHUWING!** Gebruik het product niet zonder de beschermkap te bevestigen.

### GEbruik VOLGENS BESTEMMING

Het gereedschap is bestemd voor het knippen en snoeien van heggen en struiken in de tuin voor particulier gebruik.

#### 1. MONTAGE VAN DE BESCHERMKAP (Zie Afb. A)

Stop de beschermkap in de sleuf zoals weergegeven in (Fig A) en zorg ervoor dat deze stevig is bevestigd.

Gebruik twee schroeven om de beschermkap vast te maken.

#### 2. MONTAGE HANDGREEP VOORAAN



**De handgreep vooraan moet vóór het gebruik worden gemonteerd:**

- 1) Monteer het voorste handvat aan de behuizing. Zorg ervoor dat de uitstekende markeringen op het voorste handvat perfect in de inkepingen in de behuizing passen. (Zie Afb. B & C)
- 2) Zet de vire schroeven vast.
- 3) Controleer of het handvat stevig vastzit. Zo niet, zet dan de schroeven opnieuw vast.

**Zorg ervoor dat het handvat stevig op zijn plaats zit.**

#### 3. TREKONTLASTING VOOR NETKABEL (Zie Afb. D)

Een houder voor het verlengsnoer is meegeleverd om de belasting op het netsnoer te verminderen. Om hiervan gebruik te maken, maakt u een lus aan het uiteinde van het verlengsnoer. Deze legt u door de opening onderaan de houder. Daarna wikkelt u het uiteinde van de lus om de haak en trekt u het vast.

#### 4. IN- EN UITSCHAKELLEN (Zie Afb. E) VOORDAT U DE HEGGENSCHAAR INSCHAKELT

Verwijder de beschermkoker (7), zoals getoond in E. **DE HEGGENSCHAAR INSCHAKELLEN**

Steek de stekker in het stopcontact en schakel de machine in.

Er zijn twee drukschakelaars geplaatst in de heggenschaar (2 en 4).

Beide schakelaars moeten worden ingedrukt om het apparaat te starten. Druk de voorste drukschakelaar (4) in en houdt deze ingedrukt. Druk daarna de andere drukschakelaar (2) in.

#### DE HEGGENSCHAAR UITSCHAKELLEN

Verwijder de heggenschaar uit het snoei gebied voordat u deze uitschakelt.

Om te stoppen, laat u één van de schakelaars los.

**WAARSCHUWING:** Indien er onderdelen missen, beschadigd zijn of kapot zijn, dient u de heggenschaar niet te gebruiken totdat alle beschadigde onderdelen zijn gerepareerd of geplaatst. Indien u dit niet doet, kan dat leiden tot ernstig persoonlijk letsel.

#### 5. DE HEGGENSCHAAR GEBRUIKEN

Controleer voordat u begint het gebied dat u gaat snoeien. Verwijder objecten die door de messen weggegooid kunnen worden of erin verstrikt kunnen raken.

Houd de heggenschaar altijd met twee handen vast en houd de messen van u af bij het aanzetten.

**Zorg er altijd voor dat het snoer achter de heggenschaar ligt wanneer deze ingeschakeld is. Plaats het snoer niet over de heg die u aan het snoeien bent. Dan zou u het door kunnen snijden.**

Wanneer u nieuwe bladeren snoeit, dient u een brede zwaaiende beweging te gebruiken, zodat de stammen direct in het mes terechtkomen.

Laat de messen eerst op volle snelheid komen, voordat u ermee gaat snoeien.

Werk altijd af van mensen en vaste objecten, zoals grote stenen, bomen, voertuigen, enz.

Als de messen blijven hangen, dient u de heggenschaar onmiddellijk te stoppen. Haal de stekker uit het stopcontact en verwijder het blokkerende materiaal van het mes en repareer of vervang deze waar nodig.

Draag handschoenen wanneer u planten met doorns snoeit.

Beweeg de heggenschaar zodanig, dat de takken direct tussen de messen terecht komen.

Probeer geen stammen te snoeien die te dik zijn om tussen de messen te passen.

## DE BOVENKANT SNOEIEN (Zie Afb. G)

Snoei met een zwaaiende beweging. Het geeft het beste resultaat als u de messen iets naar beneden houdt in de richting van de beweging.

## DE ZIJKANT SNOEIEN (Zie Afb. H)

Bij het snoeien van de zijkant van een heg, begint u onderaan en werkt u naar boven toe, terwijl u ervoor zorgt dat de heg een beetje spits toeloopt naarmate u hoger komt. Hierdoor wordt er meer van de heg zichtbaar en zal de begroeiing beter verdeeld zijn.



### WAARSCHUWING: Controleer

verlengsnoeren voor elk gebruik. Vervang een verlengsnoer direct wanneer deze beschadigd is. Gebruik het gereedschap nooit in combinatie met een beschadigd verlengsnoer omdat het aanraken van het beschadigde gedeelte een schok kan veroorzaken, wat kan leiden tot ernstig persoonlijk letsel. Wanneer de stroomdraad beschadigd is, dient deze te worden vervangen door een goedgekeurd servicecentrum bij u in de buurt. Stel het gereedschap niet bloot aan regen.

## ONDERHOUD

### SCHOONMAKEN

Verwijder de stekker uit het stopcontact. Gebruik een zachte borstel. Verwijder troep uit de ventilatieopeningen en van de messen.

Wanneer de stroomtoevoerdrad beschadigd is, dient deze vervangen te worden door de fabrikant, de reparatiedienst of een soortgelijk bevoegde persoon, om zo gevaren te voorkomen.

Wrijf het oppervlak van de heggenschaar schoon met een droge doek.



**WAARSCHUWING!** Gebruik nooit water om de heggenschaar schoon te maken. Maak de heggenschaar ook niet schoon met chemicaliën, waaronder benzine, of oplosmiddelen. Dit kan belangrijke plastic onderdelen beschadigen.

### DE MESSEN SMEREN

Om het apparaat makkelijker te gebruiken en voor een langere levensduur, dient u de messen voor en na gebruik te smeren. Voordat u de olie aanbrengt, dient u ervoor te zorgen dat de stekker van de heggenschaar niet in het stopcontact zit. Breng de olie zo aan dat het tussen de twee messen loopt (Zie I). Tijdens het gebruik, dient u zo af en toe de heggenschaar te stoppen, de stekker uit het stopcontact te halen en deze te oliën.

### AAN HET EINDE VAN HET SNOEISEIZOEN

Maak de heggenschaar grondig schoon.

Controleer of alle moeren en schroeven goed aangedraaid zijn.

Controleer de heggenschaar visueel op versleten of beschadigde onderdelen.

### DE HEGGENSCHAAR OPBERGEN

Bewaar de heggenschaar op een veilige en droge plaats, buiten bereik van kinderen. Plaats er geen andere voorwerpen op.

## BESCHERMING VAN HET MILIEU



Afgedankte elektrische producten kunt u niet met het normale huisafval weggooien. Breng deze producten, indien mogelijk, naar een recyclecentrum bij u in de buurt. Vraag de verkoper of de gemeente naar informatie en advies over het recycleren van elektrische producten.

## CONFORMITEITVERKLARING

Wij,  
POSITEC Germany GmbH  
Konrad-Adenauer-Ufer 37  
50668 Köln

Verklaren dat het product  
Beschrijving **WORX Heggenschaar**  
Type **WG209E, WG210E (2- aanduiding van**  
**machinerie, kenmerkend voor Heggenschaar)**  
Functie **Snoeien van heggen en struiken**

Overeenkomt met de volgende richtlijnen,  
**2006/42/EC**  
**2014/30/EU**  
**2011/65/EU**  
**2000/14/EC gewijzigd door 2005/88/EC**

2000/14/EC gewijzigd door 2005/88/EC:  
- Procedure beoordeling conformiteit volgens  
**Annex V**  
- Niveau gemeten geluidsvermogen **97.4 dB**  
- Opgegeven, gearandeerde niveau  
geluidsvermogen **98dB**

De betrokken aangemelde instantie:  
**EN 60745-1** **EN 60745-2-15**  
**EN ISO 3744** **EN 55014-1**  
**EN 55014-2** **EN 61000-3-2**  
**EN 61000-3-3**

De persoon die bevoegd is om het technische bestand te compileren,  
**Naam Russell Nicholson**  
**Adres Positec Power Tools (Europe) Ltd,**  
**PO Box 6242, Newbury, RG14 9LT, UK**



Suzhou 2016/10/20  
Allen Ding  
Plaatsvervangend Chief Ingenieur, Testen en  
Certificering

1. UCHWYT TYLNY
2. TYLNA DŹWIGNIA PRZEŁĄCZNIKA
3. PRZEDNIA DŹWIGNIA PRZEŁĄCZNIKA
4. UCHWYT PRZEDNI
5. OSŁONA OCHRONNA
6. OSTRZE
7. OSŁONA OSTRZA

\*Nie wszystkie pokazane na ilustracji akcesoria są dostarczane standardowo.

## DANE TECHNICZNE

Typ **WG209E, WG210E (2- oznaczenie urządzenia, reprezentuje Przycinarka do żywopłotów)**

	WG209E	WG210E
Napięcie znamionowe	230-240V ~ 50Hz	
Znamionowa moc wejściowa	550W	600W
Prędkość znamionowa bez obciążenia	2600/min	
Długość cięcia	51cm	60cm
Zasięg cięcia	24mm	
Masa urządzenia	2.7kg	2.8kg
Podwójna izolacja	☐ / II	

## DANE DOTYCZĄCE HAŁASU I WIBRACJI

Ważone ciśnienie akustyczne  $L_{pA}$ : 85dB(A)  
K=3dB(A)

Ważona moc akustyczna  $L_{wA}$ : 100dB(A)

Używać ochrony słuchu, gdy ciśnienie akustyczne przekracza 80dB(A)



## INFORMACJE DOTYCZĄCE DRGAŃ

Łączna wartość drgań (suma wektora triax) określona według normy EN 60745:

Typowa wibracja ważona	4.7 m/s <sup>2</sup> ,
	Niepewność K = 1.5 m/s <sup>2</sup>

Zadeklarowana całkowita wartość wibracji może być wykorzystana do porównania jednego narzędzia z innym oraz może być użyta we wstępnej ocenie narażenia.



**OSTRZEŻENIE:** Wartość emisji wibracji w czasie rzeczywistego używania elektronarzędzia może się różnić od zadeklarowanej, w zależności od sposobu używania narzędzia w następujących przykładach i innych sposobach używania narzędzia: Jak używane jest narzędzie oraz, czy materiał jest cięty czy wiercony. Czy narzędzie jest w dobrym stanie i czy jest prawidłowo konserwowane. Czy używane są prawidłowe akcesoria narzędzia i czy narzędzie jest właściwie naostrzone oraz w dobrym stanie. Czy dokręcone są szczęki na uchwycie i czy używane są jakiegokolwiek akcesoria antybiracyjne. Oraz, czy narzędzie jest używane zgodnie z przeznaczeniem i według instrukcji.

**Nieprawidłowe prowadzenie tego narzędzia może spowodować syndrom wibracji rąk.**



**OSTRZEŻENIE:** W szczególności, oszacowanie poziomu ekspozycji w rzeczywistych warunkach używania powinno brać także pod uwagę wszystkie elementy cyklu działania, takie jak czasy wyłączenia narzędzia i czas bezczynności, ale nie rzeczywiście wykonywaną pracę. Może to znacznie zmniejszyć poziom ekspozycji w całym okresie pracy. Pomoc w minimalizacji narażenia na wibracje. Należy ZAWSZE używać ostrych dłut, wiertel i ostrzy. Narzędzie należy konserwować z godnie z instrukcjami i prawidłowo smarować (w odpowiednich miejscach). Jeśli narzędzie jest używane regularnie należy zakupić akcesoria antywibracyjne. Należy unikać używania narzędzi w temperaturach 10°C lub niższych. Należy zaplanować harmonogram pracy w celu rozłożenia używania narzędzi wytwarzających wysoki poziom drgań na kilka dni.

# AKCESORIA

Oslona Ochronna  
Oslona Ostrza

1  
1

Zaleca się zakup wszystkich akcesoriów w sklepie, gdzie zakupiono narzędzie. Więcej szczegółów można znaleźć w dodatkowym opakowaniu. Personel sklepu może również udzielić pomocy i porad.

## OGÓLNE OSTRZEŻENIA DOTYCZĄCE BEZPIECZEŃSTWA PODCZAS PRACY Z ELEKTRONARZĘDZIAMI



**UWAGA: Należy przeczytać wszystkie przepisy.** Błędy w przestrzeganiu następujących przepisów mogą spowodować porażenie prądem, pożar i/lub ciężkie obrażenia ciała.

**Należy dobrze przechowywać te przepisy.**

Użyte w dalszej części pojęcie „elektronarzędzie” odnosi się do elektronarzędzi napędzanych prądem (z kablem zasilającym) i do elektronarzędzi napędzanych akumulatorami (bez kabla zasilającego).

### 1. MIEJSCE PRACY

- a) Miejsce pracy należy utrzymywać w czystości i dobrze oświetlone.** Nieporządek i nie oświetlane zakreśły pracy mogą doprowadzić do wypadków.
- b) Nie należy pracować tym narzędziem w otoczeniu zagrożonym wybuchem, w którym znajdują się np. łatwopalne cieczce, gazy lub pyły.** Elektronarzędzia wywołują iskry, które mogą podpalić ten pył lub parę.
- c) Elektronarzędzie trzymać podczas pracy z daleka od dzieci i innych osób.** Przy odwróceniu uwagi można stracić kontrolę nad narzędziem.

### 2. BEZPIECZEŃSTWO ELEKTRYCZNE

- a) Wtyczka urządzenia musi pasować do gniazda. Nie wolno zmieniać wtyczki w jakikolwiek sposób. Nie należy używać wtyczek adapterowych razem z uzziemionymi narzędziami.** Niezmiennione wtyczki i pasujące gniazda zmniejszają ryzyko porażenia prądem.
- b) Należy unikać kontaktu z uzziemionymi powierzchniami jak rury, grzejniki, piece i lodówki.** Istnieje zwiększone ryzyko porażenia prądem, gdy Państwa ciało jest uzziemione.
- c) Urządzenie należy trzymać zabezpieczone przed deszczem i wilgocią.** Wniknięcie wody do elektronarzędzia podwyższa ryzyko porażenia prądem.
- d) Nigdy nie należy używać kabla do innych czynności. Nigdy nie używać**

**kabla do noszenia urządzenia za kabel, zawieszenia lub do wyciągania wtyczki z gniazda. Kabel należy trzymać z daleka od wysokich temperatur, oleju; ostrych krawędzi lub ruchomych części urządzenia.** Uszkodzone lub poplątane kable zwiększają ryzyko porażenia prądem.

- e) W przypadku, że elektronarzędziem pracuje się na świeżym powietrzu należy używać kabla przedłużającego, który dopuszczony jest do używania na zewnątrz.** Użycie dopuszczonego do używania na zewnątrz kabla przedłużającego zmniejsza ryzyko porażenia prądem.
- f) Jeśli nie można uniknąć posługiwania się elektronarzędziem w miejscu o dużej wilgotności należy użyć zabezpieczonego zasilacza domowego (RCD).** Stosowanie RCD zmniejsza ryzyko porażenia prądem elektrycznym.
- ### 3. BEZPIECZEŃSTWO OSÓB
- a) Należy być uważnym, zważać na to co się robi i pracę elektronarzędziem rozpoczynać z rozsadkiem. Nie należy używać urządzenia gdy jest się zmęczonym lub pod wpływem narkotyków, alkoholu lub leków.** Moment nieuwagi przy użyciu urządzenia może doprowadzić do poważnych obrażeń ciała.
- b) Należy nosić osobiste wyposażenie ochronne i zawsze okulary ochronne.** Noszenie osobistego wyposażenia ochronnego jak maska przeciwpyłowa, nie ślizgające się buty robocze, hełm ochrony lub ochrona słuchu, w zależności od rodzaju i użycia elektronarzędzia zmniejsza ryzyko obrażeń ciała.
- c) Należy zapobiec przypadkowemu uruchomieniu. Przed podłączeniem do sieci zasilającej i/lub zestawu baterii, podniesieniem urządzenia i przenoszeniem urządzenia należy sprawdzić, czy przełącznik znajduje się w pozycji wyłączenia.** W przypadku, że przy noszeniu urządzenia trzyma się palec na włączniku/wyłączniku lub włączone urządzenie podłączone zostanie do prądu, to może to doprowadzić do wypadków.
- d) Zanim urządzenie zostanie wyłączone należy usunąć narzędzia nastawcze lub klucze.** Narzędzie lub klucz, które znajdują się w ruchomych częściach urządzenia mogą doprowadzić do obrażeń ciała.
- e) Nie należy przeceniać swoich możliwości. Należy dbać o bezpieczną pozycję pracy i zawsze utrzymywać równowagę.** Przez to możliwa jest lepsza kontrola urządzenia w nieprzewidzianych sytuacjach.
- f) Należy nosić odpowiednie ubranie. Nie należy nosić luźnego ubrania lub biżuterii. Włosy, ubranie i rękawice należy trzymać z daleka od ruchomych części.** Luźne ubranie, biżuteria lub długie włosy mogą zostać ujęte przez poruszające się części.
- g) W przypadku, że możliwe jest zamontowanie urządzeń odsysających lub podchwytyjących należy upewnić się, czy**



są one właściwie podłączone i prawidłowo użyte. Użycie tych urządzeń zmniejsza zagrożenie spowodowane pyłami.

#### 4. STARANNE OBCOWANIE ORAZ UŻYCIE ELEKTRONARZĘDZI

- a) **Nie należy przeciążać urządzenia. Do pracy używać należy elektronarzędzia, które jest do tego przewidziane.** Odpowiednim narzędziem pracuje się lepiej i bezpieczniej w podanym zakresie sprawności.
- b) **Nie należy używać elektronarzędzia, którego włącznik/wyłącznik jest uszkodzony.** Elektronarzędzie, którego nie można włączyć lub wyłączyć jest niebezpieczne i musi zostać naprawione.
- c) **Należy odłączyć wtykę od źródła zasilania i/lub zestawu baterii, przed wykonaniem jakichkolwiek regulacji, zmiany akcesoriów lub podczas przechowywania elektronarzędzi.** Ten środek ostrożności zapobiega niezamierzonemu włączeniu się urządzenia.
- d) **Nie używane elektronarzędzia należy przechowywać poza zasięgiem dzieci. Nie należy dać narzędzia do użytku osobom, które jego nie znają lub nie przeczytały tych przepisów.** Używane przez niedoświadczonych osoby elektronarzędzia są niebezpieczne.
- e) **Urządzenie należy pieczołowicie pielęgnować. Należy kontrolować, czy ruchome części urządzenia funkcjonują bez zarzutu i nie są zablokowane, czy części nie są pęknięte lub uszkodzone, co mogłoby mieć wpływ na prawidłowe funkcjonowanie urządzenia. Uszkodzone części należy przed użyciem urządzenia oddać do naprawy.** Wiele wypadków spowodowanych jest przez niewłaściwą konserwację elektronarzędzi.
- f) **Narzędzia tnące należy utrzymywać ostre i czyste.** Starannie pielęgnowane narzędzia tnące z ostrymi krawędziami tnącymi zablokują się rzadziej i łatwiej się je prowadzi.
- g) **Elektronarzędzia, osprzęt, narzędzia itd. należy używać odpowiednio do tych przepisów i tak, jak jest to przewidziane dla tego specjalnego typu urządzenia. Uwzględnić należy przy tym warunki pracy i czynność do wykonania.** Użycie elektronarzędzi do innych niż przewidziane prace może doprowadzić do niebezpiecznych sytuacji.
- #### 5. SERWIS
- a) **Naprawę urządzenia należy zlecić jedynie kwalifikowanemu fachowcowi i przy użyciu oryginalnych części zamiennych.** To gwarantuje, że bezpieczeństwo urządzenia zostanie zachowane.

## OSTRZEŻENIA PRZY UŻYTKOWANIU NOŻYC DO ŻYWOPŁOTU:

1. **Nie zbliżać żadnej części ciała do ostrzy. Gdy ostrza są ruchu nie należy usuwać obciążonych kawałków krzaków ani też ich przytrzymywać.** Upewnić się, że urządzenie jest wyłączone, przed przystąpieniem do odblokowywania. Chwila nieuwagi podczas używania nożyc do żywopłotu może spowodować poważne obrażenia.
2. **Trzymać nożycy do żywopłotu za rączkę podczas pracy z zatrzymanymi ostrzami. Zawsze sprawdzać, czy dostarczona osłona jest założona na czas transportu i składowania.** Właściwe obchodzenie się z nożycami do żywopłotu zredukuje ryzyko pokaleczeniem się ostrzami.
3. **Kabel należy trzymać z dala od ostrza.** Podczas przycinania, kabel może się ukryć w krzakach i zostać przypadkowo przecięty.
4. **Elektronarzędzie należy trzymać tylko za zaizolowane części do chwytania, ponieważ ostrze tnące może stykać się z ukrytym odrutowaniem lub z własnym przewodem.** Ostrza stykające się z „żywymi” przewodami mogą przewodzić napięcie do odkrytych metalowych części narzędzia i mogą wywołać porażenie prądem.
5. **Wystrzegać się kontaktu nożyc z obcymi przedmiotami, np. płotem pod napięciem.**
6. **Do pracy z nożycami używać obu rąk.** Używanie nożyc jedną ręką może prowadzić do utraty kontroli nad nożycami, jak również może być przyczyną poważnego zranienia.
7. **Zaleca się zastosować wyłącznik różnicowoprądowy o maksymalnej wartości natężenia prądu wyłączenia 30 mA lub mniejszej.**

## SYMBOLS



Aby zmniejszyć niebezpieczeństwo odniesienia obrażeń, użytkownik powinien przeczytać podręcznik z instrukcjami.



Używać ochrony słuchu



Używać ochrony wzroku



Używać maski przeciwpyłowej



Chroń narzędzie przed deszczem, aby uniknąć porażenia prądem.



W przypadku uszkodzenia lub przecięcia przewodu natychmiast wyciągnij wtyczkę z gniazdka



Podwójna izolacja



Ręce należy trzymać z dala od noża



Odpady wyrobów elektrycznych nie powinny być wyrzucane razem z odpadami gospodarstwa domowego. Należy korzystać z recyklingu, jeśli istnieje odpowiednia infrastruktura. Porady dotyczące recyklingu można uzyskać u władz lokalnych lub sprzedawcy detalicznego.

### 3. PĘTLA ODRPĘŻAJĄCA KABLA ZASILAJĄCEGO (Patrz rys. D)

Narzędzie jest wyposażone w zabezpieczenie przedłużacza, które zmniejsza napięcie przewodu zasilającego. W celu skorzystania z tej funkcji należy wykonać pętlę na końcu przedłużacza i przeprowadzić ją przez otwór w dolnej części zabezpieczenia, a następnie owinąć pętlę wokół zaczepu i pociągnąć w celu naciągnięcia.

### 4. ROZRUCH I ZATRZYMYWANIE (Patrz rys. E, F)

**PRZED URUCHOMIENIEM NOŻYC NALEŻY** zdjąć osłonę ostrza (7).

**PRZED URUCHOMIENIEM NOŻYC NALEŻY**

Nożyce mają dwie dźwignie przełącznika (2&3). Aby uruchomić urządzenie, należy nacisnąć obie dźwignie. Nacisnąć i przytrzymać przednią dźwignię przełącznika (3), a następnie nacisnąć dźwignię (2). (Patrz rys. E)

**ABY ZATRZYMAĆ PRZYCINARKĘ, NALEŻY**

Przed wyłączeniem odsunąć ją od miejsca cięcia. Następnie, aby zatrzymać urządzenie, należy puścić jedną z dźwigni przełącznika. (Patrz rys. F)



**Ostrzeżenie:** W przypadku zagubienia, uszkodzenia lub złamania jakiegokolwiek części, nie należy uruchamiać nożyc przed wymianą lub naprawą tychże części. W przeciwnym razie może dojść do poważnych obrażeń ciała. **NIE NALEŻY UŻYWAĆ BEZ OSŁONY I UCHWYTU**

### 5. UŻYTKOWANIE NOŻYC

Przed każdorazowym cięciem należy obejrzeć miejsce pracy i usunąć z niego przedmioty, które mogą zostać poderwane lub zakleszczone w ostrzu.

Przed włączeniem nożyc należy zawsze ująć oburącz, z ostrzem skierowanym od siebie.

**Podczas cięcia przewód zasilający musi zawsze znajdować się za nożycami. Nie wolno przewieszać go przez cięty żywopiół, ponieważ grozi to przecięciem przewodu.**

Podczas cięcia młodych roślin należy przykładać nożyce szerokim, zamaszystym ruchem, aby gałęzie natrafiały bezpośrednio na ostrze.

Przed rozpoczęciem cięcia należy poczekać, aż ostrza rozpędzą się do maksymalnej prędkości roboczej.

Podczas pracy należy zawsze oddalać się od osób postronnych i twardych przedmiotów, takich jak ściany, duże kamienie, drzewa, pojazdy, itp.

Jeżeli ostrze zakleszczy się, należy natychmiast zatrzymać nożyce. Następnie należy odłączyć ją od sieci zasilającej i oczyścić ostrze z zakleszczonych pozostałości materiału ciętego.

Podczas cięcia kolczastych lub ciernistych roślin należy nosić rękawice ochronne.

Nożyce należy prowadzić tak, aby gałęzie trafiały bezpośrednio na krawędź tnącą.

Nie wolno próbować ciąć zbyt grubych gałęzi.

**PRZYCINANIE GÓRNYCH GAŁĘZI (Patrz rys. G)**

Nożyce należy prowadzić szerokim, zamaszystym ruchem. Lekkie pochylenie ostrza w dół zgodnie z kierunkiem cięcia daje najlepsze wyniki.

## INSTRUKCJA OBSŁUGI



**UWAGA!** Nie wolno używać nożyc bez zamontowanej osłony ochronnej i uchwytu przedniego.

### Użycie zgodne z przeznaczeniem

Urządzenie przeznaczone jest do cięcia iżprycinania żywopiółtów iżkrzewów wżogrodach przydomowych iżdziałkowych.

### 1. MONTAŻ OSŁONY OCHRONNEJ (Patrz rys. A)

Wsunąć osłonę (5) w szczelinę zgodnie z rys. A; Następnie przykręcić osłonę za pomocą dwóch śrub; aby odpowiednio zamocować osłonę.

### 2. MONTAŻ UCHWYTU PRZEDNIEGO



**Przed użyciem nożyc należy zamontować uchwyt przedni (4):**

- 1) Przymocować przedni uchwyt do obudowy. Najpierw nacisnąć mały przycisk (a) wewnątrz. Upewnić się, że wystające oznaczenia na przednim uchwycie idealnie pasują do wgłębień w obudowie. (Patrz rys. B & C)
- 2) Włożyć i dokręcić 4 śruby.
- 3) Upewnić się, że uchwyt jest w pełni zabezpieczony; jeśli nie, dokręcić śruby.

Upewnić się, że uchwyt jest bezpiecznie umieszczony w swoim miejscu.

## PRZYCINANIE BOKÓW (Patrz rys. H)

Podczas przycinania boków żywoplotu należy zacząć cięcie od dołu i posuwać się w górę, zwrócając żywoplot ku górze. Taki kształt odłoni więcej gałęzi i zapewni bardziej równomierny wzrost żywoplotu.



**Ostrzeżenie:** Przed każdym użyciem należy sprawdzić przedłużacze. Po wykryciu uszkodzenia należy je natychmiast wymienić. Nigdy nie należy używać narzędzia z uszkodzonym przewodem, ponieważ dotknięcie uszkodzonego miejsca spowoduje porażenie prądem elektrycznym, a w rezultacie poważne obrażenia.

Jeśli uszkodzony zostanie przewód zasilający, aby uniknąć niebezpieczeństwa powinien zostać wymieniony przez producenta, przedstawiciela serwisu lub inną wykwalifikowaną osobę.

Nie wolno wystawiać nożyc na deszcz.

## KONSERWACJA

### CZYSZCZENIE

Odlączyć narzędzie od gniazda sieciowego. Usunąć zanieczyszczenia ze wszystkich wlotów powietrza oraz z ostrza za pomocą miękkiej szmatki.

Jeśli uszkodzony zostanie przewód zasilający, aby uniknąć niebezpieczeństwa powinien zostać wymieniony przez producenta, przedstawiciela serwisu lub inną wykwalifikowaną osobę.

Następnie przetrzeć nożyce suchą szmatką.



**Ostrzeżenie!** Do czyszczenia nożyc nie wolno używać wody. Nie wolno też stosować żadnych środków chemicznych, włącznie z benzyną lub rozpuszczalnikami, które mogą uszkodzić narzędzie.

### SMAROWANIE OSTRZA

Aby zapewnić skuteczniejsze działanie i wydłużyć okres sprawności użytkowej, ostrze należy smarować przed i po każdym użyciu. Przed nasmarowaniem należy sprawdzić, czy nożyce zostały odlądzone od zasilania. Olej należy nanosić tak, aby wniknął pomiędzy oba ostrza. (Patrz rys. I)

Nożyce należy również raz na jakiś czas zatrzymać, odlączyć od zasilania i nasmarować również podczas pracy.

### POD KONIEC SEZONU PRAC OGRODNICZYCH NALEŻY

Dokładnie wyczyścić nożyce.

Sprawdzić dokręcenie wszystkich pokręteł i śrub. Obejrzeć narzędzie pod kątem zużytych bądź uszkodzonych części.

### PRZED ODŁOŻENIEM NOZYC NA ZIMĘ

Sektor należy przechowywać w bezpiecznym i suchym miejscu, niedostępnym dla dzieci. Nie wolno stawiać na urządzeniu żadnych przedmiotów.

## OCHRONA ŚRODOWISKA



Odpady wyrobów elektrycznych nie powinny być wyrzucane razem z odpadami gospodarstwa domowego. Należy korzystać z recyklingu, jeśli istnieje odpowiednia infrastruktura. Porady dotyczące recyklingu można uzyskać u władz lokalnych lub sprzedawcy detalicznego.

## DEKLARACJA ZGODNOŚCI

My,  
POSITEC Germany GmbH  
Konrad-Adenauer-Ufer 37  
50668 Köln

Deklarujemy, że produkt,  
Opis **Przycinarka do żywoplotów WORX**  
Typ **WG209E, WG210E (2- oznaczenie urządzenia, reprezentuje Przycinarka do żywoplotów)**  
Funkcja **Przycinania żywoplotów i krzaków**

Jest zgodny z następującymi dyrektywami,  
**2006/42/EC**  
**2014/30/EU**  
**2011/65/EU**  
**2000/14/EC zmieniona dyrektywą 2005/88/EC**

2000/14/EC zmieniona przez 2005/88/EC:  
- Procedura oceny zgodności zgodna z **Aneksm V Dyrektywy**  
- Moc dźwięku **97.4dB**  
- Deklarowana gwarantowana moc dźwięku **98dB**

Normy są zgodne z,  
**EN 60745-1**      **EN 60745-2-15**  
**EN ISO 3744**    **EN 55014-1**  
**EN 55014-2**    **EN 61000-3-2**  
**EN 61000-3-3**

Osoba upoważniona do kompilacji pliku technicznego,  
**Nazwa Russell Nicholson**  
**Adres Positec Power Tools (Europe) Ltd, PO Box 6242, Newbury, RG14 9LT, UK**



Suzhou 2016/10/20  
Allen Ding  
Zastępca głównego inżyniera, testowanie i certyfikacja

## 1. HÁTSÓ MARKOLAT

## 2. HÁTSÓ KAPCSOLÓKAR

## 3. ELÜLSŐ KAPCSOLÓKAR

## 4. ELÜLSŐ MARKOLAT

## 5. BIZTONSÁGI LAP

## 6. KÉS

## 7. KÉSTOK

\* Nem minden készülék tartalmazza valamennyi, a fentiekben felsorolt alkatrészt.

# MŰSZAKI ADATOK

Típus **WG209E, WG210E (2- a szerszám megnevezése, sövényvágót jelöl)**

	WG209E	WG210E
Névleges feszültség	230-240V ~ 50Hz	
Névleges teljesítmény	550W	600W
Névleges üresjárati fordulatszám	2600/min	
Vágási hossz	51cm	60cm
Vágási átmérő	24mm	
A készülék súlya	2.7kg	2.8kg
Védelmi osztály	□ / II	

# ZAJÉRTÉKEK

A-súlyozású hangnyomásszint

$L_{pA}$ : 85dB(A)  
K=3dB(A)

A-súlyozású hangerő

$L_{WA}$ : 100dB(A)

Viseljen fülvédelmet, ha a hangnyomásszint meghaladja a következő értéket 80 dB (A)



# REZGÉSÉRTÉKEK

Az EN60745 szabvány szerint meghatározott összes rezgés (háromtengelyű vektoriális összeg) a következő:

Tipikus súlyozott rezgés	4.7 m/s <sup>2</sup> ,
	Bizonytalanság K = 1.5 m/s <sup>2</sup>

A hivatalos összesített rezgésszint a szerszámok összehasonlítására, illetve a kitétség előzetes felmérésére használható.



**FIGYELEM:** Az elektromos kéziszerszám használata során a rezgés kibocsátás eltérhet a fenti értéktől attól függően, hogy a szerszámot hogyan használják. Az érték függhet az alábbiaktól: Hogyan használják a szerszámot, milyen anyagokat vágnak vagy fúrnak.

Az eszköz jó állapotban van-e, megfelelően karbantartják-e.

Megfelelő tartozékokat használnak-e az eszközhöz, vigyáznak-e, hogy hegyes legyen és jó állapotban maradjon.

A markolat megfelelően rögzül-e, használnak-e rezgéscsillapító tartozékokat.

A szerszámot rendeltetészerűen, kialakításának és a jelen utasításoknak megfelelően használják-e.

**Ha a szerszámot nem kezelik megfelelően, kéz-kar vibrációs szindrómát okozhat.**



**FIGYELEM:** A pontosság érdekében az expozíciós szint becslött értékéhez a valós használati körülmények között figyelembe kell venni a működési ciklus valamennyi elemét, így azt az időt is, amikor a szerszám ki van kapcsolva, és amikor üresjáratban működik. Ez a teljes munkaidőszak viszonylatában jelentősen csökkentheti az expozíciós szintet.

A rezgés kockázatnak való kitétséget az alábbiakkal csökkentheti:

MINDIG éles vésőt, pengét, és hegyes fúrófejet használjon.

Az eszközt jelen utasításoknak megfelelően tartsa karban, és vigyázzon a megfelelő kenésre (ahol erre szükség van).

Ha rendszeresen használja az eszközt, vásároljon rezgéscsillapító tartozékokat.

Kerülje az eszköz használatát 10°C vagy alacsonyabb hőmérsékleten.

Úgy tervezze meg a munkáját, hogy a magas rezgésszámú eszközök használatát igénylő feladatokat több napra ossza el.

# TARTOZÉKOK

Biztonsági lap  
Késtkok

1  
1

Javasoljuk, hogy a tartozékokat ugyanabból a boltból vásárolja meg, ahol a szerszámot is vásárolta. További részleteket a tartozék csomagolásán talál. Kérjen segítséget és tanácsot a bolti eladóktól.

## ELEKTROMOS KÉZISZERSZÁMOK BIZTONSÁGOS HASZNÁLATÁVAL KAPCSOLATOS ÁLTALÁNOS FIGYELMEZTETÉSEK



**FIGYELEM: Olvasson el minden biztonsági figyelmeztetést és valamennyi utasítást.** A figyelmeztetések és utasítások figyelmen kívül hatása áramütést, tüzet és/ vagy súlyos sérülést eredményezhet.

**Őrizzen meg minden figyelmeztetést és utasítást, a jövőben szüksége lehet ezekre.**

A figyelmeztetésekben használatos "elektromos kéziszerszám" kifejezés az ön hálózatról üzemeltetett (vezetékes) elektromos kéziszerszámára vagy akkumulátoros (vezeték nélküli) elektromos kéziszerszámára vonatkozik.

### 1. A MUNKATERÜLET BIZTONSÁGA

**a) A munkaterületet tartsa tisztán és jól megvilágítva.** A zsúfolt vagy sötét munkaterület balesethez vezethet.

**b) Ne üzemeltessen elektromos kéziszerszámot robbanékony légkörben, például gyúlékony folyadékok, gázok vagy por jelenléte mellett.** Az elektromos kéziszerszámok használata során szikrák keletkeznek, amelyek hatására a por vagy gáz kigyulladhat.

**c) Elektromos kéziszerszámok működtetése közben tartsa távol a gyermekeket és bámészködőket.** A figyelem elterelése kontrollvesztést eredményezhet.

### 2. ELEKTROMOS BIZTONSÁG

**a) Az elektromos kéziszerszámok dugójának illeszkednie kell a dugaljba. Soha, semmilyen módon ne módosítsa a dugót. Földelt elektromos kéziszerszámokkal ne használjon adaptert.** Ha nem módosított dugókat és megfelelő dugaljat használ, azzal csökkenti az áramütés kockázatát.

- b) Ne érintse meg a földelt felületeket, például csöveket, radiátorokat, tűzhelyeket vagy hűtőszekrényeket.** Ha a test földelt, nagyobb az áramütés kockázata.
- c) Ne tegye ki esőnek vagy nedves körülményeknek az elektromos kéziszerszámokat.** Ha egy elektromos kéziszerszámba víz kerül, megnő az áramütés kockázata.
- d) Vigyázzon a szerszám kábelére. Soha ne hordozza, húzogassa vagy húzza ki az áramból az elektromos kéziszerszámot a kábelnél fogva. A kábelt tartsa távol a hőtől, olajtól, éles peremektől vagy mozgó részekről.** A sérült vagy összegubancolódott kábel növeli az áramütés kockázatát.
- e) Ha az elektromos kéziszerszámot szabadterben üzemelteti, használjon külső használatra alkalmas hosszabbítót.** A külső használatra alkalmas kábel használatával csökken az áramütés kockázata.
- f) Ha elkerülhetetlen, hogy az elektromos kéziszerszámot nedves helyen működtesse, használjon maradékáram-működtetésű megszakító (RCD) védelemmel rendelkező áramforrást.** A maradékáram-működtetésű megszakító használata csökkenti az áramütés kockázatát.

### 3. SZEMÉLYI BIZTONSÁG

- a) Az elektromos kéziszerszám működtetése közben maradjon éber, figyeljen arra, amit csinál, és használja a józan esztét. Ne működtesse az elektromos kéziszerszámot, ha fáradt, illetve gyógyszerek, alkohol vagy drogok hatása alatt áll.** Egy pillanatnyi figyelmetlenség az elektromos kéziszerszámok működtetése közben súlyos sérülésekhez vezethet.
- b) Használjon személyi védőfelszereléseket. Mindig használjon szemvédelmet.** A személyi védőfelszerelés, például pormaszok, csúszásmentes biztonsági lábbeli, védősisak vagy szükség esetén hallásvédelem használatával csökkenthető a személyi sérülések kockázata.
- c) Kerülje el, hogy a szerszám véletlenül működésbe lépjen. Mielőtt az elektromos kéziszerszámot áramhoz csatlakoztatná, behelyezné az akkumulátort, felvenné vagy vinné a szerszámot ellenőrizze, hogy a kapcsoló "ki" helyzetbe legyen állítva.** Ha a szerszám hordozásakor újjat a kapcsolón tartja, vagy áram alá helyezi a bekapcsolt készüléket, az balesetekhez vezethet.
- d) Mielőtt az elektromos kéziszerszámot bekapcsolná, távolítsa el róla minden állítókulcsot.** Ha az elektromos kéziszerszám forgórészein állítókulcs marad, az személyi sérüléshez vezethet.
- e) Ne próbáljon túl messzire nyúlni. Mindig vigyázzon, hogy stabilan álljon, és őrizze meg egyensúlyát.** Ez segít, hogy váratlan helyzetekben uralja az elektromos kéziszerszámot.

- f) **Viseljen megfelelő öltözéket. Ne viseljen bő ruházatot vagy hosszú ékszert. Haját, ruházatát és kesztyűjét tartsa a mozgó alkatrészekről távol.** A bő ruházatot, hosszú ékszert vagy hosszú hajat bekapathatják a mozgó elemek.
- g) **Ha a szerszámhoz porszívó vagy -gyűjtő csatlakoztatható, vigyázzon, hogy ezeket csatlakoztassa és megfelelően használja.** A porgyűjtő használatával csökkenthetőek a porral kapcsolatos kockázatok.

#### 4. AZ ELEKTROMOS KÉZISZERSZÁM HASZNÁLATA ÉS KARBANTARTÁSA

- a) **Ne erőltesse az elektromos kéziszerszámot. Mindig megfelelő elektromos kéziszerszámot használjon.** Ha a megfelelő elektromos kéziszerszámot használja, azzal a rendeltetési területén jobban és biztonságosabban elvégezhető a munka.
- b) **Ne használja az elektromos kéziszerszámot, ha azt nem lehet kikapcsolni.** Ha egy elektromos kéziszerszám nem szabályozható a kapcsolóval, az veszélyes, és javításra szorul.
- c) **Mielőtt a szerszámot beállítaná, tartozékokat cserélné, illetve tároláskor húzza ki a dugót az áramforrásból, és/vagy vegye ki az akkumulátort az elektromos kéziszerszámból.** Ezekkel a megelőző biztonsági intézkedésekkel csökken annak a kockázata, hogy a kéziszerszám véletlenül bekapcsoljon.
- d) **Az elektromos kéziszerszámokat használaton kívül tartsa a gyermekektől távol, és ne hagyja, hogy a szerszámot vagy ezeket az utasításokat nem ismerő személyek működtessék azt.** A tapasztalatlan felhasználók kezében az elektromos kéziszerszámok veszélyessé válnak.
- e) **Tartsa karban az elektromos kéziszerszámokat. Ellenőrizze, hogy a mozgó elemek megfelelően helyezkednek-e el és nem szorultak-e be, az alkatrészek épek, és semmilyen más hiba nincs kihatással az elektromos kéziszerszám működésére. Ha sérülést talál, használat előtt javíttassa meg a szerszámot.** A nem megfelelően karbantartott elektromos kéziszerszámok sok balesetet okoznak.
- f) **A vágószerszámokat tartsa tisztán, és figyeljen, hogy élesek maradjanak.** A megfelelően karbantartott, éles vágószerszámok ritkábban akadnak meg, és egyszerűbben irányíthatóak.
- g) **Az elektromos kéziszerszámot, a kiegészítőket és fejeket használja a fenti utasításoknak megfelelően, figyelembe véve a munkakörülményeket és az elvégzendő munkát.** Ha az elektromos kéziszerszámot nem rendeltetésszerűen használja, az veszélyhelyzetet teremthet.

#### 5. SZERVIZ

- a) **Az elektromos kéziszerszámot csak képzett szerelő javíthatja megfelelő cserealkatrészekkel.** Ez biztosítja az elektromos kéziszerszám biztonságos működését.

## A SÖVÉNYVÁGÓVAL KAPCSOLATOS BIZTONSÁGI UTASÍTÁSOK

- Vigyázzon, hogy minden testrészét távol tartsa a késtől. Ha a kés mozgásban van, ne próbálja meg kivenni a nyesedéket, és ne tartsa meg a vágandó anyagot. Ha a beszorult anyagot akarja kitisztítani, ellenőrizze, hogy a kapcsoló "ki" állásban legyen.** Egy pillanatnyi figyelmetlenség a sövényvágó működtetése közben súlyos sérülésekhez vezethet.
- Hordozáskor a sövényvágót a markolatnál fogja, és várja meg, hogy a kés mozgása leálljon. A sövényvágó szállításához vagy tárolásához mindig tegye fel a vágóél-védőt.** A sövényvágó megfelelő kezelésével csökken a vágóél okozta személyi sérülések esélye.
- A kábelt tartsa távol a vágóterülettől.** Működtetés közben előfordulhat, hogy a fűben nem veszi észre a kábelt, és a késsel átvágja azt.
- A szerszámot csak a szigetelt bevonatos felületnél fogva használja, mivel a kés érintkezésbe léphet a rejtett vezetékkel vagy a saját vezetékével.** Ha a kés feszültség alatt álló vezetéket érint, az elektromos kéziszerszám külső fémalkatrészei feszültség alá kerülhetnek, aminek hatására a szerszám működtetője áramütést szenvedhet.
- Munkavégzés előtt ellenőrizze, hogy a sövényvágó útját nem akadályozzák-e esetleges tárgyak, pl.: dróterítés.
- Mindkét kezét használja a sövényvágó működtetése során. Ha csak egyik kezét használná, akkor könnyen elveszítheti a gép fölötti kontrollját, és ez komoly személyi sérülésekhez vezethet.
- Mi egy olyan reziduális áramot felvívó készülék használatát ajánljuk, amelynek az indítóárama maximum 30 mA.

# SZIMBÓLUMOK



A sérülésveszély csökkentése érdekében a felhasználónak el kell olvasnia az utasításokat



Viseljen szemvédőt



Viseljen fülvédőt



Viseljen pormaszkot



Ne tegye ki nedvességnek



Ha a kábel megsérült vagy elszakadt, húzza ki a szerszámot az áramból.



Dupla szigetelés



A kezét tartsa távol



A leselejtezett elektromos készülékek nem dobhatók ki a háztartási hulladékkal. Ha van a közelben elektromos hulladék gyűjtő udvar, vigye oda a készüléket. Az újrahasznosítási lehetőségekről tájékozódjon a helyi hatóságoknál vagy a kereskedőnél.

## HASZNÁLATI UTASÍTÁSOK



**Figyelem!** Ne használja a terméket a biztonsági lap és az elülső markolat nélkül.

### RENDELTTETÉS

Ez a gép a célja, hogy belföldön használható vágás és sövények és bokrok vágására.

### 1. A BIZTONSÁGI LAP FELSZERELÉSE (LÁSD A. ÁBRA)

Helyezze be a biztonsági lapot (5) a nyílásba az A ábrán látható módon;

Két csavarral rögzítse biztonságosan a lapot;

ellenőrizze, hogy szorosan rögzüljön.

### 2. ELÜLSŐ MARKOLAT FELSZERELÉSE



**Használat előtt fel kell szerelni az elülső markolatot (4):**

- 1) Szerelje fel a házra az elülső markolatot. Előbb nyomja meg a kis gombot (a) a belső részen. Figyeljen arra, hogy az elülső markolaton látható jelzések pontosan illeszkedjenek a ház jelzéseihez. (LÁSD B & C ÁBRA)
- 2) Helyezze be és szorítsa meg a 4 csavart.
- 3) Ellenőrizze, hogy a markolat megfelelően rögzül-e, ha nem, szorítsa tovább a csavarokat.

**Ellenőrizze, hogy a markolat megfelelően rögzüljön a helyére.**

### 3. TÁPKÁBEL FESZÜLÉSMENTESÍTŐ (LÁSD D. ÁBRA)

Mellékelünk egy bővítőkábel rögzítőelemet a tápkábel feszültsémentesítése érdekében. Ennek a funkciónak a használatához formáljon egy hurkot a bővítőkábel végén, és vezesse át azt a bővítőkábel rögzítőelemének nyílásán alul, majd csavarja rá a hurk végét a kampóra, és húzza meg, hogy rászoruljon.

### 4. ELINDÍTÁS ÉS LEÁLLÍTÁS (LÁSD E ÁBRA) A SÖVÉNYVÁGÓ ELINDÍTÁSA ELŐTT

Vegye le a késtokot (7).

#### A SÖVÉNYVÁGÓ ELINDÍTÁSÁHOZ

A sövényvágón két kapcsolókar található (2 és 3). A sövényvágó ELINDÍTÁSÁHOZ mindkét kapcsolókart le kell nyomni. Nyomja le és tartsa lenyomva az elülső kapcsolókart (3), majd nyomja le a hátsó kapcsolókart (2). (LÁSD E. ÁBRA)

#### A SÖVÉNYVÁGÓ LEÁLLÍTÁSÁHOZ

Mielőtt leállítaná, vigye odébb a sövényvágót a vágóterületről.

A LEÁLLÍTÁSHOZ engedje fel az egyik kapcsolókart. (LÁSD F. ÁBRA)



**FIGYELEM:** Ha észreveszi, hogy egy alkatrészből hiányzik vagy sérült, ne működtesse a sövényvágót mindaddig, amíg minden sérült alkatrészt ki nem cserélt vagy meg nem javított. Ellenkező esetben fennáll a súlyos sérülés veszélye. **NE HASZNÁLJA A MARKOLAT ÉS A BIZTONSÁGI LAP NÉLKÜL**

### 5. A SÖVÉNYVÁGÓ HASZNÁLATA

Minden használat előtt ellenőrizze a területet, ahol a szerszámot használni fogja, és távolítson el minden tárgyat, amit a szerszám feldobhatna, vagy ami beszorulhatna a kések közé.

Bekapcsolás előtt a sövényvágót fogja meg mindkét kezével, és tartsa el magától.

**A használat során mindig vigyázzon, hogy a kábel a sövényvágó mögött legyen. Ne helyezze rá arra a sövényre, amit éppen vág, mert ott a kés átvághatja.**

Friss ágak vágásakor széles, söprő mozdulatot végezzen, hogy az ágak közvetlenül a kés útjába kerüljenek. Mielőtt behatolna a vágandó anyagba, várja meg, hogy a

kések elérjék a maximális sebességet. Mindig maradjon távol az emberektől és szilárd tárgyaktól, például falaktól, nagy kövektől, fáktól, járművektől stb. Ha a kés elakad, azonnal állítsa le a sövényvágót. Húzza ki az áramból a sövényvágót, és tisztítsa ki a késekből a beszorult nyeseδέket. Tövises vagy szúrós ágak vágásakor viseljen kesztyűt. Mozgassa úgy a sövényvágót, hogy az ágak közvetlenül a kések alá kerüljenek.

Ne próbáljon meg olyan ágakat vágni, amelyek túl vastagok a kések számára.

### FELSŐ VÁGÁS (LÁSD G. ÁBRÁ)

Széles, söprő mozdulatokat végezzen. A legjobb eredményt akkor éri el, ha a vágókést kicsit megdönti mozgásirányba.

### OLDALSÓ VÁGÁS (LÁSD H. ÁBRÁ)

Ha a sövény oldalát vágja, alulról felfele haladjon, fent befelé kerekítve a sövény peremét. Így a sövény felülete nagyobb lesz, ami egyenletesebb növekedést eredményez.



**Figyelem:** Minden használat előtt ellenőrizze a kábelt. Ha sérült, azonnal cserélje ki. Soha ne használja a szerszámot sérült kábellel, mivel ha hozzáér a sérült területhez, az áramütést, és ennek következtében súlyos sérülést okozhat.

Ha a tápkábel megsérült, azt a helyi megbízott szervizben kell kicseréltetni.

Vigyázzon, hogy ne tegye ki esőnek a szerszámot.

## KARBANTARTÁS

### AZ ESZKÖZ TISZTÍTÁSA

Húzza ki az áramból. Egy puha kefével távolítsa el a szennyeződést a szellőzőkről és a vágóelekekről. Amennyiben az áramellátó kábel sérült, a gyártónak, a megbízott szerviznek vagy egy hasonlóan képezett szakembernek kell cserélnie azt a kockázatok elkerülése érdekében. Egy száraz ruhával törölje le a sövényvágó felületét.



**Figyelem!** A sövényvágó tisztításához soha ne használjon vizet. Ne használjon vegyszereket sem, ide értve a benzint vagy az oldószereket, mert azok károsíthatják a szerszámot.

### A KÉS KENÉSE

Az egyszerűbb működtetés és a hosszabb élettartam érdekében minden használat előtt és után kenje meg a késeket. Kenés előtt ellenőrizze, hogy a sövényvágót biztosan kihúzta-e az áramból. Vigye fel az olajat úgy, hogy befolyjon a két kés közé. (LÁSD I. ÁBRÁ) Használat közben a sövényvágót időnként le kell állítani, áramtalanítani kell, és meg kell kenni.

### ŐSZI TEENDŐK

Tárolás előtt alaposan tisztítsa meg a sövényvágót. Ellenőrizze, hogy minden csavar szorosan rögzüljön. Szemrevételezéssel ellenőrizze, hogy nincsenek-e kopott vagy sérült alkatrészek.

### A SÖVENYVÁGÓ TÁROLÁSÁHOZ

A sövényvágót biztonságos, száraz helyen, gyermekektől távol tárolja. A készülék tetejére ne helyezzen semmilyen tárgyat.

## KÖRNYEZETVÉDELEM



A leselejeztett elektromos készülékek nem dobhatók ki a háztartási hulladékkal. Ha van a közelben elektromos hulladék gyűjtő udvar, vigye oda a készüléket. Az újrahasznosítási lehetőségekről tájékozódjon a helyi hatóságoknál vagy a kereskedőnél.

## MEGFELELŐSÉGI NYILATKOZAT

A gyártó:  
POSITEC Germany GmbH  
Konrad-Adenauer-Ufer 37  
50668 Köln

Kijelenti, hogy a termék:  
Leírás **WORX Sövényvágót**  
Típus **WG209E, WG210E (2- a szerszám megnevezése, sövényvágót jelöl)**  
Rendeltetés **Sövények és bokrok vágása**

Megfelel a következő irányelveknek:  
**2006/42/EC**  
**2014/30/EU**  
**2011/65/EU**  
**2000/14/EC módosítva: 2005/88/EC**

2000/14/EC, módosítva: 2005/88/EC:  
- Megfelelőség-ellenőrző eljárás a **V függelék értelmében**  
- Mért hangerő-szint **97.4dB**  
- Garantált hangerő-szint **98dB**

Az alábbi normáknak:  
**EN 60745-1** **EN 60745-2-15**  
**EN ISO 3744** **EN 55014-1**  
**EN 55014-2** **EN 61000-3-2**  
**EN 61000-3-3**

A műszaki dokumentáció összeállítására jogosult személy:

**Név Russell Nicholson**  
**Cím Positec Power Tools (Europe) Ltd,**  
**PO Box 6242, Newbury, RG14 9LT, UK**



Suzhou 2016/10/20  
Allen Ding  
Helyettes főmérnöke, Tesztelés és minősítés



## 1. MÂNER POSTERIOR

## 2. PÂRGHIE DE COMUTARE POSTERIOARĂ

## 3. PÂRGHIE DE COMUTARE FRONTALĂ

## 4. MÂNER FRONTAL

## 5. APĂRĂTOARE

## 6. LAMĂ

## 7. ÎNVELIȘ LAMĂ


**\*Nu toate accesoriile ilustrate sau descrise sunt incluse în pachetul de livrare standard.**

## DATE TEHNICE

Tip **WG209E, WG210E (2- denumirea mașinii, reprezentând mașina de tuns gard viu)**

	WG209E	WG210E
Tensiune nominală	230-240V ~ 50Hz	
Putere nominală	550W	600W
Viteză nominală de mers în gol	2600/min	
Lungime de tăiere	51cm	60cm
Diametru de tăiere	24mm	
Greutate unealtă	2.7kg	2.8kg
Clasă de protecție	□ / II	

## INFORMAȚII PRIVIND ZGOMOTUL

Presiune sonică ponderată	$L_{pA}$ : 85dB(A) K=3dB(A)
Putere acustică ponderată	$L_{wA}$ : 100dB(A)
Purtați protecție pentru urechi când presiunea acustică este peste 80 dB (A)	80dB(A) 

## INFORMAȚII PRIVIND VIBRAȚIILE

Valori totale vibrații (sumă vectorială triaxială) determinată conform EN 60745:

Vibrație ponderată în condiții normale	4.7 m/s <sup>2</sup> , Incertitudinea K = 1.5 m/s <sup>2</sup>
--	---

Valoarea totală declarată a vibrațiilor poate fi utilizată pentru compararea unei uneelte cu o alta și, de asemenea, poate fi utilizată în cazul unei evaluări preliminare a expunerii.



**AVERTISMENT:** Valoarea emisiilor de vibrații în timpul utilizării efective a unelei electrice poate diferi de valoarea nivelului declarat, în funcție de modul în care unealta este utilizată, în funcție de următoarele exemple și alte variații privind utilizarea unelei: Modul în care este utilizată unealta și materialele tăiate sau găurite.

Unealta să fie într-o stare bună și întreținută corespunzător

Utilizarea accesoriului corect pentru unealtă, fiind ascuțit și în bună stare de funcționare.

Strângerea cu fermitate a mânelor și utilizarea oricăror accesorii anti-vibrații.

Iar unealta va fi utilizată conform destinației de utilizare și acestor instrucțiuni.

**Această unealtă poate cauza sindromul vibrației mâinii-brațului dacă nu este utilizată corespunzător**



**AVERTISMENT:** Pentru precizie, o estimare a nivelului de expunere în condițiile de utilizare reale trebuie de asemenea să țină cont de toate componentele ciclului de operare, precum momentele când unealta este oprită și când merge în gol, dar nu efectuează operația propriu-zisă. Acest lucru ar putea reduce semnificativ nivelul de expunere pe durata totală de lucru.

Ajută la reducerea riscului de expunere la vibrații.

Utilizați ÎNTOTDEAUNA dăți, burghie și pânze ascuțite. Întrețineți unealta în conformitate cu aceste instrucțiuni și mențineți-o bine lubrifiată (dacă este cazul)

Dacă unealta va fi utilizată în mod regulat, investiți în accesorii anti-vibrații.

Evitați utilizarea uneltelor la temperaturi de 10°C sau mai puțin.

Planificați-vă lucrul pentru a desășura utilizarea uneltelor cu nivel ridicat de vibrații de-a lungul mai multor zile.

# ACCESORII

Apărătoare  
Înveliș lamă

1  
1

Vă recomandăm să achiziționați accesoriile de la același magazin de la care ați cumpărat unealta. Alegeți tipul în funcție de lucrarea pe care urmează să o efectuați. Consultați ambalajul accesoriului pentru detalii suplimentare. Personalul din magazin vă poate oferi asistență și sfaturi.

## AVERTISMENTE GENERALE DE SIGURANȚĂ PENTRU UNELTE ELECTRICE



**AVERTISMENT:** Citiți toate avertismentele de siguranță și toate instrucțiunile. Dacă nu respectați toate avertismentele și instrucțiunile de mai jos, există riscul electrocutării, incendiului și/sau al accidentării grave.

### **Păstrați toate avertismentele și instrucțiunile pentru consultări ulterioare.**

Termenul „unealtă electrică” din avertismente se referă la o unealtă electrică alimentată de la rețeaua de energie electrică (prin cablu) sau la o unealtă electrică alimentată de la un acumulator (fără cablu).

### **1. SIGURANȚA ZONEI DE LUCRU**

- a) **Mențineți zona de lucru curată și bine iluminată.** Zonele de lucru în dezordine și întunecoase favorizează accidentele.
- b) **Nu utilizați uneltele electrice în atmosfere explozive, de exemplu în prezența unor lichide, gaze sau praf inflamabile.** Uneltele electrice provoacă scântei ce pot aprinde pulberea sau vaporii.
- c) **Asigurați-vă că nu sunteți în apropiere de persoane și copii în timpul funcționării unei unelte electrice.** Distragerea atenției poate duce la pierderea controlului uneltei.

### **2. SIGURANȚA ELECTRICĂ**

- a) **Fișele uneltei electrice trebuie să se potrivească perfect în priza de alimentare.** Nu modificați niciodată ștecherul. Nu folosiți niciun adaptor pentru uneltele electrice cu împănătură. Utilizarea ștecherelor nemodificate în prize corespunzătoare va reduce riscul electrocutării.
- b) **Evitați contactul fizic cu suprafețe cu legătură la pământ, cum ar fi țevi, radiatoare, mașini de gătit sau frigider.** Riscul electrocutării este mai mare în cazul în care corpul dumneavoastră vine în contact cu suprafața împănantată.
- c) **Nu expuneți uneltele electrice la ploaie sau la umiditate.** Dacă intră apă în unealta electrică, riscul electrocutării este mai mare.
- d) **Nu deteriorați cablul de alimentare. Nu folosiți niciodată cablul pentru transportarea, tragerea sau scoaterea din priză a unei unelte electrice. Păstrați cablul de alimentare la distanță de căldură, ulei, margini ascuțite sau părți mobile.** Cablurile deteriorate sau încurcate măresc riscul electrocutării.
- e) **Când folosiți uneltele electrice în exterior, utilizați un prelungitor potrivit pentru utilizarea în exterior.** Utilizarea unui cablu potrivit pentru uzul în exterior reduce riscul electrocutării.
- f) **Dacă utilizarea uneltei electrice într-un loc umed nu poate fi evitată, folosiți o alimentare protejată cu dispozitiv de curent rezidual (RCD).** Folosirea unui dispozitiv RCD reduce riscul electrocutării.

### **3. SIGURANȚA PERSONALĂ**

- a) **Fiți concentrați, urmăriți ceea ce faceți și dați dovadă de simț practic când folosiți o unealtă electrică. Nu folosiți o unealtă electrică dacă sunteți obosit sau sub influența drogurilor, a alcoolului sau a medicamentelor.** O clipă de neatenție în timpul funcționării uneltei electrice poate duce la accidentări personale grave.
- b) **Folosiți echipament personal de protecție. Purtați întotdeauna ochelari de protecție.** Echipamentele de protecție precum masca de protecție contra prafului, încălțăminte cu talpă antiderapantă, cască sau protecția pentru urechi vor reduce riscul accidentărilor, utilizate în mod corespunzător.
- c) **Preveniți punerea accidentală în funcțiune. Asigurați-vă că întrerupătorul se află în poziția de oprire înainte de a face conectarea la sursa de alimentare și/sau la acumulator, înainte de a ridica sau a transporta unealta.** Transportarea uneltelor electrice ținând degetul pe întrerupător sau alimentarea acestora cu întrerupătorul pornit poate duce la accidentări.
- d) **Scoateți orice cheie de reglare sau cheie de piulițe înainte de a porni unealta electrică.** O cheie de piulițe sau o altă cheie rămasă prinsă de o componentă rotativă a uneltei poate duce la rănirea personală.
- e) **Păstrați un echilibru corect. Mențineți-vă permanent echilibrul și sprijiniți-vă ferm pe picioare.** Acest lucru permite un control mai bun al uneltei electrice în situații neprevăzute.
- f) **Îmbrăcați-vă corespunzător. Nu purtați îmbrăcăminte prea largă sau bijuterii.** Nu vă apropiați părul, hainele sau mănușile de componentele mobile. Hainele prea largi, bijuteriile și părul lung se pot prinde în piesele mobile.
- g) **Dacă sunt furnizate accesoriile pentru conectarea unor dispozitive de aspirare și colectare a prafului, asigurați-vă că acestea sunt montate și folosite corect.** Folosirea colectorului de praf poate reduce riscul accidentărilor din cauza prafului.

#### 4. UTILIZAREA ȘI ÎNTREȚINEREA UNELTELOR ELECTRICE

- a) **Nu forțați unealta electrică. Folosiți unealta electrică potrivită pentru aplicație.** Cu uneltele electrice potrivite, veți lucra mai bine și mai în siguranță, la viteza pentru care a fost concepută.
- b) **Nu folosiți uneltele electrice dacă nu o puteți porni sau opri de la întrerupător.** Orice uneltele electrice ce nu poate fi acționată de la întrerupător este periculoasă și trebuie reparată.
- c) **Scoateți ștecherul din sursa de curent și/ sau scoateți bateria din uneltele electrice înainte de a efectua reglaje, de a schimba accesoriile sau de a depozita uneltele electrice.** Astfel de măsuri de siguranță reduc riscul pornirii accidentale a uneltele electrice.
- d) **Nu lăsați uneltele electrice la îndemâna copiilor și nu permiteți persoanelor ce nu știu să le manevreze și nu cunosc instrucțiunile să acționeze aceste unelte.** Uneltele electrice sunt periculoase în mâinile utilizatorilor neinstruiți.
- e) **Efectuați întreținerea uneltelor electrice. Verificați posibila aliniere incorectă sau posibila blocare a componentelor mobile, deteriorarea componentelor sau orice alte situații care pot afecta funcționarea uneltele electrice. Dacă uneltele electrice este deteriorată, reparați-o înainte de utilizare.** Multe accidente sunt provocate din cauza întreținerii incorecte a uneltelor.
- f) **Uneltele de tăiere trebuie menținute ascuțite și curate.** Riscul blocării uneltelor de tăiere cu margini ascuțite întreținute corect este mai mic și acestea sunt mai ușor de controlat.
- g) **Folosiți uneltele electrice, accesoriile, piesele etc. conform acestor instrucțiuni, luând în considerare condițiile de lucru și operația de efectuat.** Folosirea uneltele electrice pentru operații diferite de cele pentru care a fost concepută poate duce la accidentare.
5. SERVICE
- a) **Service-ul uneltele electrice trebuie efectuat de persoane calificate, folosind doar piese de schimb identice.** Acest lucru va asigura folosirea în continuare a uneltele electrice în siguranță.

## AVERTISMENTE PRIVIND SIGURANȚA PENTRU MAȘINA DE TUNS GARD VIU:

1. **Țineți toate părțile corpului la distanță de lama de tăiere. Nu înlăturați materialul tăiat și nu țineți materialul care trebuie tăiat în timpul mișcării lamelor. Asigurați-vă că ați adus comutatorul în poziția oprit când eliberați materialul blocat.** O clipă de neatenție în timpul funcționării mașinii de tuns gard viu poate duce la accidentări personale grave.

2. **Țineți mașina de tuns gardul viu de mână, cu lama de tăiere oprită. La transportarea sau depozitarea mașinii de tuns gardul viu, montați întotdeauna capacul dispozitivului de tăiere.** Manevrarea corespunzătoare a mașinii de tuns gardul viu va reduce posibilele accidente cauzate de lamele de tăiere.
3. **Țineți cablul la distanță de zona de tăiere.** În timpul funcționării, cablul poate fi ascund în lăstăriș și poate fi tăiat în mod accidental cu lama.
4. **Țineți uneltele electrice doar de suprafețele de prindere izolate, deoarece lama de tăiere poate intra în contact cu fire ascunse sau cu propriul cablu.** Lamele de tăiere care intră în contact cu un fir aflat sub tensiune pot pune sub tensiune componentele metalice neizolate ale mașinii electrice și pot produce un șoc electric asupra operatorului.
5. Verificați dacă în calea mașinii de tuns nu există obiecte străine, de ex.: garduri de sârmă.
6. Manipulați mașina de tuns cu ambele mâini. Utilizarea unei singure mâini poate duce la pierderea controlului asupra mașinii și poate duce la leziuni corporale grave.
7. Se recomandă utilizarea unui aparat de protecție împotriva curentului rezidual, având curentul de declanșare de maxim 30 mA.

## SIMBOLURI



Pentru a reduce riscul de accidentări, utilizatorul trebuie să citească manualul de instrucțiuni



Purtați echipament de protecție pentru urechi



Purtați echipament de protecție pentru ochi



Purtați mască de protecție contra prafului



Nu expuneți la umezeală



În cazul în care cablul este deteriorat sau tăiat, scoateți imediat ștecherul din priză



Izolație dublă



Țineți mâinile la distanță



Produsele electrice nu trebuie depuse la deșeurile împreună cu gunoiul menajer. Vă rugăm să depuneți produsele electrice la unitățile de reciclare existente. Consultați-vă cu autoritățile locale sau cu distribuitorul pentru sfaturi privind reciclarea.

## INSTRUCȚIUNI DE UTILIZARE



**AVERTISMENT!** Nu utilizați produsul fără a atașa apărătoarea și mânerul frontal.

### DESTINAȚIA DE UTILIZARE

Această mașină este destinată utilizării în scopuri domestice, pentru tăierea și tunderea gardurilor vii și a tufișurilor.

### 1. ASAMBLAREA APĂRĂTORII (CONSULTAȚI FIG. A)

Introduceți apărătoarea (5) în fantă conform ilustrației din Fig. A;

Utilizați două șuruburi pentru a fixa bine apărătoarea, asigurându-vă că este bine atașată.

### 2. ASAMBLAREA MÂNERULUI FRONTAL



**Mânerul frontal (4) trebuie asamblat înainte de utilizare:**

- 1) Atașați mânerul frontal la carcasă. Împingeți mai întâi butonul mic (a) în interior. Asigurați-vă că marcejele proeminente de pe mânerul frontal intră perfect în spațiul aferent de pe carcasă. (CONSULTAȚI FIG. B & C)
- 2) Introduceți și strângeți cele 4 șuruburi.
- 3) Verificați dacă mânerul este fixat ferm, și strângeți din nou șuruburile, dacă este cazul.

**Asigurați-vă că mânerul este fixat ferm în poziție.**

### 3. PREVENIREA SUPRAÎNTINDERII CABLULUI DE ALIMENTARE (CONSULTAȚI FIG. D)

Un dispozitiv de reținere pentru cablul de prelungire este furnizat pentru a reduce efortul asupra cablului de alimentare. Pentru a utiliza, formați o buclă la capătul cablului de prelungire și treceți-o prin orificiul din partea inferioară a dispozitivului de reținere pentru cablul de prelungire, apoi înfășurați capătul buclei în jurul cârligului și trageți pentru a strânge.

### 4. PORNIREA ȘI OPRIREA (CONSULTAȚI FIG. E) ÎNAINTE DE PORNIREA MAȘINII DE TUNS GARDUL VIU

Îndepărtați învelișul lamei (7).

#### PENTRU A PORNII MAȘINA DE TUNS GARDUL VIU

Există două pârghii comutatoare prevăzute în mașina de tuns gardul viu (2 și 3).

Ambele pârghii comutatoare trebuie apăsată pentru PORNIREA produsului. Apăsați și țineți apăsată pârghia comutatoare frontală (3) și apăsați pârghia comutatoare posterioară (2). (CONSULTAȚI FIG. E)

#### PENTRU A OPRI MAȘINA DE TUNS GARDUL VIU

Îndepărtați mașina de tuns gardul viu de zona de tăiere înainte de a o opri.

Pentru OPRIRE, eliberați una dintre pârghiile comutatoare. (CONSULTAȚI FIG. F)



**AVERTISMENT:** Dacă lipsesc componente, sunt avariate sau deteriorate, nu operați mașina de tuns gardul viu până nu înlocuiți sau reparați toate părțile avariate. În caz contrar există pericol de vătămări corporale grave. **NU UTILIZAȚI FĂRĂ MÂNER ȘI APĂRĂTOARE**

### 5. CUM SĂ UTILIZAȚI MAȘINA DE TUNS GARDUL VIU

Inspectați zona care trebuie tăiată înainte de fiecare utilizare, îndepărtați obiectele care pot fi aruncate sau se pot înfășura pe lamele de tăiere.

Țineți întotdeauna mașina de tuns iarba cu ambele mâini și cu lama departe de dumneavoastră înainte de a porni.

**Țineți întotdeauna cablul de alimentare în spatele mașinii de tuns gardul viu în timpul utilizării. Nu așezați cablul deasupra gardului pe care îl tundeți, unde ar putea fi tăiat de lamă.**

Când tundeți gardul crescut nou, folosiți o mișcare de largă astfel încât firele să fie preluate direct de lamă. Lăsați lamele de tăiere să atingă viteza maximă înainte de a le introduce în materialul care trebuie tăiat. Lucrați întotdeauna la distanță de persoane și obiecte solide, precum pereți, pietre de dimensiuni mari, copaci, vehicule etc.

Dacă lama încetinește, opriți imediat mașina de tuns gardul viu. Deconectați-o de la priză de alimentare și înlăturați resturile blocate din lamele de tăiere. Purați mânuși când tăiați plante cu spini sau țepi. Mutați mașina de tuns gardul viu pentru ca ramurile să fie preluate direct de marginile ascuțite ale lamei. Nu încercați să tăiați firele care sunt prea mari pentru a încăpea în lama de tăiere.

#### TĂIERE ÎN PARTEA DE SUS (CONSULTAȚI FIG. G)

Utilizați o mișcare largă. O ușoară înclinare în jos a lamelor de tăiere în direcția de mișcare oferă cele mai bune rezultate de tăiere.

#### TĂIERE LATERALĂ (CONSULTAȚI FIG. H)

Când tundeți părțile laterale ale gardului viu, începeți în partea de jos și tăiați în sus, dând gardului o formă conică în partea superioară. Această formă va expune

o parte mai mare a gardului, rezultând o creștere mai uniformă.

**AVERTISMENT:** Verificați cablurile de prelungire înainte de fiecare utilizare. Dacă sunt avariate, înlocuiți-le imediat. Nu utilizați niciodată unealta cu un cablu deteriorat deoarece atingerea zonei avariate poate cauza electrocutarea și accidentări grave.

În cazul în care cablul de alimentare este deteriorat, acesta trebuie înlocuit de Centrul de Service local aprobat.

Aveți grijă să nu expuneți unealta la ploaie.

## ÎNTREȚINERE

### CURĂȚAREA APARATULUI

Deconectați de la sursa de alimentare. Cu ajutorul unei perii moi, înlăturați resturile din toate orificiile de admisie aer și lama de tăiere.

În cazul în care cablul de alimentare este deteriorat, acesta trebuie înlocuit de către producător, agentul său de service sau persoane cu calificare similară, pentru a evita orice pericol.

Ștergeți suprafața mașinii de tuns gard viu cu o cârpă uscată.

**AVERTISMENT!** Nu utilizați niciodată apă pentru curățarea mașinii de tuns gard viu. Nu curățați cu substanțe chimice, inclusiv petrol sau solvenți deoarece acestea pot avaria mașina de tuns gardul viu.

### LUBRIFIEREA LAMEI DE TĂIERE

Pentru funcționare mai ușoară și o durată de viață mai mare, lubrifiați lamele de tăiere înainte și după fiecare utilizare. Înainte de lubrifiere, asigurați-vă că mașina de tuns gardul viu este deconectată de la sursa de alimentare. Aplicați uleiul astfel încât să curgă printre cele două lame. (CONSULTAȚI FIG. 1)  
Mașina dumneavoastră de tuns gardul viu trebuie oprită, deconectată și unsă ocazional în timpul utilizării.

### LA SFÂRȘITUL SEZONULUI DE TĂIERE

Curățați bine mașina de tuns gardul viu. Verificați dacă toate piulițele și șuruburile sunt fixate. Inspectați vizual dacă mașina de tuns gard viu prezintă componente uzate sau deteriorate.

### PENTRU A DEPOZITA MAȘINA DE TUNS GARD VIU

Depozitați mașina de tuns gard viu într-un loc sigur și uscat, unde nu este la îndemâna copiilor. Nu așezați alte obiecte peste mașină.

## PROTECȚIA MEDIULUI



Produsele electrice nu trebuie depuse la deșeuri împreună cu gunoiul menajer. Vă rugăm să depuneți produsele electrice la unitățile de reciclare existente. Consultați-vă cu autoritățile locale sau cu distribuitorul pentru sfaturi privind reciclarea.

## DECLARAȚIE DE CONFORMITATE

Subsemnatii,  
POSITEC Germany GmbH  
Konrad-Adenauer-Ufer 37  
50668 Köln

Declarăm că produsul,  
Descriere **Mașina de tuns gard viu WORX**  
Tip **WG209E, WG210E (2- denumirea mașinii, reprezentând mașina de tuns gard viu)**  
Funcție **Tunderea gardului viu și tufișurilor**

Respectă următoarele Directive,

**2006/42/EC**  
**2014/30/EU**  
**2011/65/EU**  
**2000/14/EC amendată de 2005/88/EC**

2000/14/EC modificată prin 2005/88/EC  
- Procedură de evaluare a conformității conformă cu **Anexa V**

- Nivel de putere sonoră măsurat **97.4dB**  
- Nivel de putere sonoră garantat declarat **98dB**

Se conformează standardelor,

**EN 60745-1**      **EN 60745-2-15**  
**EN ISO 3744**      **EN 55014-1**  
**EN 55014-2**      **EN 61000-3-2**  
**EN 61000-3-3**

Persoana autorizată să completeze fișierul tehnic,

**Numé Russell Nicholson**  
**Adresă Positec Power Tools (Europe) Ltd, PO**  
**Box 6242, Newbury, RG14 9LT, UK**



Suzhou 2016/10/20

Allen Ding

Adjunct Inginer Șef, Testare și certificare

## 1. ZADNÍ RUKOJEŤ

## 2. ZADNÍ SPÍNACÍ PÁKA

## 3. PŘEDNÍ SPÍNACÍ PÁKA

## 4. PŘEDNÍ RUKOJEŤ

## 5. BEZPEČNOSTNÍ OCHRANNÝ KRYT

## 6. NOŽE NŮŽEK

## 7. OCHRANNÉ POUZDRO

Ne všechno zobrazené nebo popisované příslušenství je součástí standardní dodávky.

# TECHNICKÉ ÚDAJE

Typ **WG209E, WG210E (2- označení strojního zařízení, zástupce nůžek na živé ploty)**

	WG209E	WG210E
Jmenovité napětí	230-240V ~ 50Hz	
Jmenovitý výkon	550W	600W
Otáčky naprázdno	2600/min	
Délka stříhu	51cm	60cm
Průměr větve	24mm	
Hmotnost	2.7kg	2.8kg
Třída ochrany	□ / II	

# INFORMACE TÝKAJÍCÍ SE HLUČNOSTI

Měřený akustický tlak

$L_{pA}$ : 85dB(A)  
K=3dB(A)

Měřený akustický výkon

$L_{WA}$ : 100dB(A)

Je-li akustický tlak vyšší než 80 dB (A), používejte ochranu sluchu.



# INFORMACE TÝKAJÍCÍ SE VIBRACÍ

Celková hodnota vibrací (prostorový vektorový součet) je určena podle požadavků normy EN 60745:

Typická naměřená hodnota vibrací

4.7 m/s<sup>2</sup>,

Odchylka K = 1.5 m/s<sup>2</sup>

Deklarovaná celková hodnota vibrací může být použita pro vzájemné srovnání jednotlivých nářadí a rovněž může být použita k předběžnému stanovení doby práce.



**VAROVÁNÍ:** Úroveň vibrací při aktuálním použití elektrického nářadí se může lišit od deklarované hodnoty v závislosti na způsobu, jakým je nářadí používáno, v závislosti na následujících příkladech a na jiných variantách toho, jak je nářadí používáno:  
Jak je nářadí používáno a jaké materiály budou řezány nebo vrtány.  
Nářadí musí být v dobrém stavu a musí být prováděna jeho řádná údržba.  
S nářadím musí být používáno správné příslušenství, a toto příslušenství musí být ostré a v dobrém stavu.  
Pevný úchop na rukojetích a kontrola, je-li vůbec použito antivibrační příslušenství.  
Toto nářadí může být použito pouze pro určené účely a podle těchto pokynů.

**Není-li toto nářadí používáno odpovídajícím způsobem, může způsobit syndrom nemoci způsobené působením vibrací na ruce a paže obsluhy.**



**VAROVÁNÍ:** Chcete-li být přesní, odhad doby působení vibrací v aktuálních podmínkách při použití tohoto nářadí by měl brát v úvahu také všechny části pracovního cyklu, jako jsou doby, kdy je nářadí vypnuto a kdy je v chodu ve volnoběžných otáčkách, ale ve skutečnosti neprovádí žádnou práci. Doba působení vibrací tak může být během celkové pracovní doby značně zkrácena.  
Pomozte minimalizovat dobu působení vibrací na obsluhu.  
VŽDY používejte ostré sekáče, vrtáky a nože.  
Provádějte údržbu tohoto nářadí podle těchto pokynů a zajistěte jeho řádné mazání (je-li to vhodné).  
Musíte-li toto nářadí používat pravidelně, investujte do antivibračního příslušenství.  
Vyvarujte se použití tohoto nářadí při teplotách nižších než 10°C.  
Vypracujte si svůj plán práce, abyste působení vysokých vibrací tohoto nářadí rozdělily do několika dnů.

# PŘÍSLUŠENSTVÍ

**Bezpečnostní ochranný kryt** 1  
**Ochranné pouzdro** 1

Doporučujeme vám, abyste zakoupili příslušenství ve stejném obchodě, ve kterém jste zakoupili i vaše nářadí. Další podrobnosti naleznete na obalu příslušenství. Personál prodejny vám může pomoci a také vám může poskytnout užitečnou radu.

# OBEČNÁ BEZPEČNOSTNÍ UPOZORNĚNÍ PRO ELEKTRICKÉ NÁSTROJE



**VAROVÁNÍ: Přečtete si všechna bezpečnostní upozornění a instrukce.**

Nedodržení bezpečnostních instrukcí a varování může vést ke zranění el. proudem, vypuknutí požáru, poškození nářadí a nebo k vážným zraněním.

**Uložte instrukce a veškerou dokumentaci pro budoucí použití.**

Výraz "elektrické ruční nářadí" znamená v upozornění buď na nářadí na elektrický pohon (napájené elektrickou sítí) nebo na akumulátorové nářadí (napájené z akumulátoru).

## 1. BEZPEČNOST NA PRACOVÍŠTI

- a) **Udržujte pracoviště v čistotě a dobře osvětlené.** Pracoviště plné nepotřebných předmětů nebo slabě osvětlené zvyšuje možnost úrazu.
- b) **Nepoužívejte elektrické ruční nářadí v prostředí náchylném na expozice jako například v přítomnosti hořlavých tekutin, plynů nebo prachu.** Elektrické ruční nářadí při práci vytváří jiskry, které mohou vznítit prach nebo výpary.
- c) **Při práci s elektrickým ručním nářadím udržujte děti a přihlížející osoby v dostatečné vzdálenosti.** Ztráta pozornosti může vést ke ztrátě kontroly nad nářadím.

## 2. BEZPEČNOST PŘI PRÁCI S ELEKTRINOU

- a) **Vidlice elektrického ručního nářadí musí být shodného typu jako zásuvky el. sítě. Neměňte vidlice nedovoleným nebo neodborným způsobem, předejete tak možným zraněním nebo úrazu el proudem.** Nepoužívejte spolu s uzemněným ručním nářadím žádné adaptéry, které neumožňují ochranu zemněním.
- b) **Vyhýbejte se kontaktu s uzemněnými povrchy jako například trubkami, radiátory, sporáky a ledničkami.** Je-li vaše tělo spojené s uzemněným předmětem nebo stojí na uzemněné ploše, vzniká zvýšené riziko úrazu elektrickým proudem.
- c) **Nevystavujte ruční nářadí dešti nebo vlhkým podmínkám.** Když se voda dostane pod povrch elektrického ručního nářadí, vzniká zvýšené riziko úrazu elektrickým proudem.
- d) **Nemanipulujte s napájecím kabelem necitlivě. Nikdy si nepřítahujte elektrické ruční nářadí k sobě pomocí kabelu, netahejte je za sebou pomocí kabelu a nevytrhávejte kabel ze zástrčky, abyste ruční nářadí vypnuli. Nevystavujte kabel vysokým teplotám, oleji, ostrým hranám nebo kontaktu s pohyblivými díly.** Poškozené

nebo zamotané kabely mohou vést k zvýšenému riziku úrazu elektrickým proudem.

- e) **Při práci s ručním nářadím v exteriéru použijte prodlužovací kabel vhodný pro použití v exteriéru.** Použijte kabel vhodný pro venkovní prostředí, snižujete tím riziko vzniku úrazu elektrickým proudem.
- f) **Pokud je práce s ručním nářadím ve vlhkých podmínkách nevyhnutelná, použijte napájení chráněné jističem typu proudový chránič (RCD).** Použití RCD jističe redukuje riziko úrazu elektrickým proudem.

## 3. OSOBNÍ BEZPEČNOST

- a) **Bud'te soustředění, sledujte co děláte a při práci s ručním nářadím se řiďte zdravým rozumem. Nepoužívejte ruční nářadí, jste-li unaveni nebo pod vlivem omamných látek, alkoholu nebo léků.** Moment nepozornosti při práci s ručním nářadím může vést k vážnému osobnímu zranění.
  - b) **Použijte osobní ochranné pomůcky. Vždy noste ochranu očí.** Ochranné pomůcky jako například proti prachová maska, boty s protiskluzovou podrážkou nebo chrániče sluchu použité v příslušných podmínkách pomáhají redukovat nebezpečí vážného osobního zranění.
  - c) **Předcházejte neúmyslnému zapnutí. Ujistěte se, že vypínač je ve vypnuté poloze předtím, než zapojíte nářadí do elektrické sítě a nebo k akumulátoru, rovněž při zvedání nebo nošení nářadí.** Nošení nářadí s prstem na vypínači nebo nářadí pod napětím zvyšuje možnost úrazu.
  - d) **Odstraňte jakékoliv nastavovací nebo maticové klíče a šrouby předtím, než zapnete ruční nářadí.** Nastavovací nebo jiný klíč ponechaný na rotující části ručního nářadí může způsobit osobní úraz.
  - e) **Neprečunujte se. Udržujte si stabilitu a pevnou zem pod nohama za každých podmínek.** Umožňuje vám to lepší kontrolu nad ručním nářadím v neočekávaných situacích.
  - f) **Pro práci se vhodné oblečte. Nenoste volně obléčení nebo šperky. Udržujte své vlasy, oblečení a rukavice ve vzdálenosti od pohyblivých částí.** Volné oblečení, šperky nebo dlouhé vlasy se mohou do pohyblivých částí zachytit.
  - g) **Pokud jsou zařízení nastavená na spojení se zařízeními na zachytávání a extrakci prachu, ujistěte se, že jsou tato zařízení správně připojena a použita.** Použitím sběrače prachu redukuje rizika vyvolaná prachem.
- ## 4. POUŽITÍ A ÚDRŽBA RUČNÍHO NÁŘADÍ
- a) **Na ruční nářadí netlačte. Použijte správné ruční nářadí pro danou činnost.** Správné ruční nářadí udělá práci lépe a takovou rychlostí, pro kterou bylo navrženo.
  - b) **Nepoužívejte ruční nářadí, pokud správně nefunguje vypínač on/off.** Jakékoliv ruční

nářadí, které se nedá ovládat vypínačem, je nebezpečné a musí být opraveno.

- c) **Dříve než začnete dělat jakékoliv úpravy, vyměňovat doplňky nebo ruční nářadí odkládat, odpojte zástrčku od sítě a nebo akumulátoru.** Taková preventivní bezpečnostní opatření redukuje riziko náhodného zapnutí ručního nářadí.
- d) **Nepoužíváte-li ruční nářadí, skladujte je mimo dosah dětí a nedovolte osobám, které nemají zkušenosti s prací s ručním nářadím nebo neznají tyto pokyny, s nářadím pracovat.** Ruční nářadí je nebezpečné v rukách neškolené a nezkušené osoby.
- e) **Údržba ručního nářadí. Zkontrolujte chybné připojení nebo spojení pohyblivých částí, zlomené části nebo jiné okolnosti, které by mohly ovlivnit funkčnost ručního nářadí. Je-li nářadí poškozeno, nechte je před novým použitím opravit.** Mnoho úrazů vzniká proto, že je elektrické ruční nářadí špatně udržováno.
- f) **Udržujte řezné nástroje ostré a čisté.** Správně udržované řezné nástroje s ostrými řezacími hranami jsou méně náchylné na zakousnutí a lépe se ovládají.
- g) **Používejte elektrické nářadí v souladu s těmito pokyny, berte v úvahu pracovní podmínky a druh vykonávané práce.** Je-li elektrické nářadí použito na jiné účely, než je určeno, může docházet k nebezpečným situacím.

## 5. SERVIS

- a) **Servisní práce na nářadí nechte provést kvalifikovanými pracovníky za použití originálních náhradních dílů.** Výsledkem bude trvalá bezpečnost při práci s elektrickým nářadím.

## BEZPEČNOSTNÍ VAROVÁNÍ TÝKAJÍCÍ SE NŮŽEK NA ŽIVÉ PLOTY:

1. **Udržujte všechny části těla v bezpečné vzdálenosti od pohybujících se nožů. Jsou-li nože nůžek v pohybu, neodstraňujte ostříhaný materiál a nedržte materiál, který budete stříhat.** Před odstraněním zaseknutého materiálu se ujistěte, zda je spínač v poloze vypnuto. Chvilková nepozornost při práci s nůžkami na živé ploty může vést k způsobení vážného zranění.
2. **Přenášejte nůžky na živé ploty za rukojeť a vždy se zastavenými noži nůžek. Při přepravě nebo při uložení nůžek na živé ploty vždy nasad'te na nože nůžek ochranné pouzdro.** Správná manipulace s nůžkami na živé ploty sníží riziko možného zranění osob, které by bylo způsobeno noži nůžek.
3. **Udržujte napájecí kabel v bezpečné vzdálenosti od pracovního prostoru.** Během

práce může dojít k ukrytí kabelu v keři, a tak může dojít k jeho náhodnému přestřížení.

4. **Při práci, během které se mohou nože nůžek dostat do kontaktu se skrytými vodiči nebo s vlastním napájecím kabelem, držte elektrické nářadí vždy pouze za izolované plochy.** Kontakt nožů s „živým“ vodičem způsobí, že neizolované kovové části nářadí budou také „živé“, což způsobí obsluhu úraz elektrickým proudem.
5. Zkontrolujte živý plot, zda neobsahuje cizí prvky, jako například natažené dráty.
6. Při práci s nůžkami na plot používejte obě ruce. Držení nůžek pouze jednou rukou vede ke zřáté kontroly a vzniku vážného úrazu.
7. Doporučeno používat s proudovou ochranou s vypínacím proudem 30 mA nebo nižším.

## SYMBOLY



Uživatel si musí přečíst návod k obsluze, aby bylo omezeno riziko způsobení zranění.



Používejte ochranu sluchu



Používejte ochranu zraku



Používejte masku proti prachu



Nevystavujte toto zařízení vlhkosti



Dojde-li k poškození nebo přestřížení napájecího kabelu, okamžitě odpojte zástrčku napájecího kabelu od síťové zásuvky.



Dvojitá izolace



Udržujte ruce v bezpečné vzdálenosti





Odpady výrobků elektrických nie powinny być wyrzucane razem z odpadami gospodarstwa domowego. Należy korzystać z recyklingu, jeśli istnieje odpowiednia infrastruktura. Porady dotyczące recyklingu można uzyskać u władz lokalnych lub sprzedawcy detalicznego.

## POKYNY PRO OBSLUHU



**VAROVÁNÍ!** Nepoužívejte toto nářadí bez řádné upevněného krytu a přední rukojeti.

### URČENÉ POUŽITÍ

Toto nářadí je určeno pro použití v domácnostech pro stříhání a úpravu živých plotů a křovin.

### 1. MONTÁŽ BEZPEČNOSTNÍHO KRYTU (VIZ OBR. A)

Zasuňte tento bezpečnostní ochranný kryt (5) do určené drážky, jak je zobrazeno na obr. A. Pro řádné upevnění tohoto krytu použijte dva šrouby. Ujistěte se, zda je kryt řádně upevněn.

### 2. MONTÁŽ PŘEDNÍ RUKOJETI



**Před použitím nářadí musí být upevněna přední rukojeť (4):**

- 1) Připevněte přední rukojeť ke krytu nářadí. Nejdříve stiskněte malé tlačítko (a) nacházející se uvnitř. Ujistěte se, zda výstupky na přední rukojeti dokonale zapadají do odpovídajících zářezů na krytu nářadí. (Viz obr. B a C)
- 2) Zasuňte a utáhněte 4 šrouby.
- 3) Zkontrolujte, zda je rukojeť řádně zajištěna a je-li to nutné, znovu dotáhněte šrouby.

**Ujistěte se, zda je rukojeť řádně upevněna.**

### 3. HÁČEK PRO ZAJIŠTĚNÍ NAPÁJECÍHO KABELU (viz obr. D)

Nářadí je opatřeno háčkem pro uchycení prodlužovacího kabelu, aby bylo zamezeno odpojení připojeného kabelu. Chcete-li využít této funkce, vytvořte na konci prodlužovacího kabelu smyčku, protáhněte tuto smyčku otvorem ve spodní části háčku, potom zavěste smyčku na háček a zatažením za kabel smyčku utáhněte.

### 4. SPUŠTĚNÍ A ZASTAVENÍ (viz obr. E)

**PŘED SPUŠTĚNÍM NŮŽEK NA ŽIVÉ PLOTY**

Sejměte z nožů ochranné pouzdro (7).

#### SPUŠTĚNÍ NŮŽEK NA ŽIVÉ PLOTY

Na vašich nůžkách na živé ploty jsou dvě spínací páky (2 a 3).

Chcete-li toto nářadí spustit, musíte stisknout obě tyto páky. Stiskněte a držte přední spínací páku (3) a stiskněte zadní spínací páku (2). (Viz obr. E)

#### ZASTAVENÍ NŮŽEK NA ŽIVÉ PLOTY

Před zastavením přemístěte nůžky mimo pracovní prostor.

Chcete-li nůžky ZASTAVIT, uvolněte jednu ze spínacích pák. (Viz obr. F)



**VAROVÁNÍ:** Je-li některá část poškozena nebo došlo-li k její ztrátě, nepoužívejte toto nářadí, dokud nebudou všechny poškozené části vyměněny nebo opraveny. Nedodržíte-li tento pokyn, může dojít k vážnému zranění.

**NEPOUŽÍVEJTE TOTO NÁŘADÍ BEZ RUKOJETI A OCHRANNÉHO KRYTU.**

### 5. JAK SE NŮŽKY NA ŽIVÉ PLOTY POUŽÍVAJÍ

Před každým použitím zkontrolujte prostor, kde budete s nůžkami pracovat a odstraňte všechny předměty, které mohou být odmrštěny nebo které by se mohly namotat na nože nůžek.

Před spuštěním držte tyto nůžky na živé ploty vždy oběma rukama a tak, aby nože nůžek směřovaly směrem od vás.

**Při práci dbejte stále na to, aby se napájecí kabel nacházel za nůžkami. Dbejte na to, aby se nenacházel na živém plotě, protože by zde mohlo dojít k jeho přestřžení.**

Stříháte-li nově obrostlé živé ploty, používejte široké obloukové pohyby tak, aby byly nové stonky naváděny přímo do nožů nůžek.

Před zahájením stříhání počkejte, dokud nože nůžek nedosáhnou maximálních otáček.

Vždy pracujte v bezpečné vzdálenosti od ostatních osob a pevných předmětů, jako jsou zdi, velké kameny, stromy, vozidla atd.

Dojde-li k zastavení nožů nůžek, okamžitě tyto nůžky zastavte. Odpojte nůžky na živé ploty od elektrické sítě a odstraňte z nožů nůžek všechny zaseknuté zbytky rostlin.

Při stříhání žahavých nebo pichlavých rostlin používejte ochranné rukavice.

Pohybujte s nůžkami na živé ploty tak, aby větvičky živých plotů směřovaly přímo do nožů nůžek.

Nepokoušejte se stříhat stonky nebo větvičky, které jsou pro nože nůžek příliš velké.

#### STŘIHÁNÍ HORNÍ ČÁSTI KEŘE (viz obr. G)

Používejte široký obloukový pohyb. Nejlepší pracovní výsledky zaručuje mírný náklon nožů nůžek ve směru prováděného pohybu.

#### STŘIHÁNÍ BOČNÍ ČÁSTI KEŘE (viz obr. H)

Při stříhání boční části živého plotu zahajte práci u jeho spodní části a stříhejte směrem nahoru tak, aby se živý plot nahore zužoval dovnitř. Tento tvar odhalí větší část živého plotu, což má za následek jeho rovnoměrnější růst.



**VAROVÁNÍ:** Před každým použitím zkontrolujte prodlužovací kabely. Jsou-li poškozeny, okamžitě je vyměňte. Nikdy nepoužívejte vaše nářadí s poškozeným napájecím kabelem, protože při kontaktu s poškozenou částí kabelu by mohlo dojít k úrazu elektrickým proudem a k následnému vážnému zranění.

Dojde-li k poškození napájecího kabelu, jeho výměna musí být provedena v autorizovaném servisu. Dbejte na to, aby toto nářadí nebylo vystaveno působení deště.

# ÚDRŽBA

## ČIŠTĚNÍ

Odpojte nářadí od elektrické sítě. Pomocí měkkého kartáče odstraňte ze všech větracích otvorů a z nožů nůžek všechny nečistoty.

Dojde-li k poškození napájecího kabelu, musí být provedena jeho výměna výrobcem, mechanikem autorizovaného servisu nebo osobou s příslušnou kvalifikací, aby bylo zabráněno možným rizikům.

Otřete povrch nářadí suchým hadříkem.



**VAROVÁNÍ!** Nikdy nepoužívejte při čištění vašich nůžek na živé ploty vodu. Nepoužívejte při čištění chemické látky, včetně benzínu, nebo rozpouštědla, protože by mohla vaše nůžky na živé ploty poškodit.

## MAZÁNÍ NOŽŮ NŮŽEK

Provádějte mazání nožů nůžek před a po každém použití těchto nůžek, aby byl usnadněn chod nožů a aby byla prodloužena jejich provozní životnost. Před mazáním se vždy ujistěte, zda jsou nůžky na živé ploty odpojeny od zdroje elektrického napájení. Aplikujte olej tak, aby protékal mezi dvěma noži. (Viz obr. 1)

Tyto nůžky na živé ploty by měly být během práce občas zastaveny, odpojeny od napájení a namazány.

## PO UKONČENÍ SEZÓNŮ

Proveďte kompletní vyčištění nůžek na živé ploty. Zkontrolujte, zda jsou řádně utaženy všechny šrouby a matice.

Proveďte vizuální kontrolu těchto nůžek, zda nejsou některé části opotřebovány nebo poškozeny.

## ULOŽENÍ NŮŽEK NA ŽIVÉ PLOTY

Uložte nepoužívané nůžky na živé ploty na bezpečném a suchém místě, na které nebudou mít přístup děti. Nepokládejte na toto nářadí žádné další předměty.

## OCHRANA ŽIVOTNÍHO PROSTŘEDÍ



Vysloužilé elektrické přístroje by neměly být vyhazovány společně s odpadem z domácnosti. Nářadí recyklujte ve sběrnách zřízených k tomuto účelu. O možnostech recyklace se informujte na místních úřadech nebo u prodejce.

# PROHLÁŠENÍ O SHODĚ

My,  
POSITEC Germany GmbH  
Konrad-Adenauer-Ufer 37  
50668 Köln

Tímto prohlašujeme, že výrobek  
Název **Nůžky na živé ploty WORX**  
Typ **WG209E, WG210E (2- označení strojního zařízení, zástupce nůžek na živé ploty)**  
Funkce **Stříhání živých plotů a křovin**

Splňuje požadavky následujících směrnic

**2006/42/EC**

**2014/30/EU**

**2011/65/EU**

**2000/14/EC upravená směrnicí 2005/88/EC**

2000/14/EC v novelizaci 2005/88/EC:

- Postup posuzování shody podle **Dodatek V**

- Měřená úroveň akustického výkonu **97.4dB**

- Deklarovaná zaručená úroveň akustického výkonu **98dB**

Použité normy:

**EN 60745-1**

**EN ISO 3744**

**EN 55014-2**

**EN 61000-3-3**

**EN 60745-2-15**

**EN 55014-1**

**EN 61000-3-2**

Soba odpovídající za vytvoření technické dokumentace:

**Jméno Russell Nicholson**

**Adresa Positec Power Tools (Europe) Ltd, PO Box 6242, Newbury, RG14 9LT, UK**



Suzhou 2016/10/20

Allen Ding

Zástupce vrchní konstrukční kanceláře, Testování & Certifikace

1. ZADNÁ RUKOVÄŤ
2. ZADNÁ SPÍNACIA PÁKA
3. PREDNÁ SPÍNACIA PÁKA
4. PREDNÁ RUKOVÄŤ
5. BEZPEČNOSTNÝ OCHRANNÝ KRYT
6. NOŽE NOŽNÍC
7. OCHRANNÉ PUZDRO

Nie všetko zobrazené alebo popísané príslušenstvo je súčasťou štandardnej dodávky.

## TECHNICKÉ ÚDAJE

Typ **WG209E, WG210E (2- označenie strojového zariadenia, zástupca nožníc na živé ploty)**

	WG209E	WG210E
Menovité napätie	230-240V ~ 50Hz	
Menovitý výkon	550W	600W
Otáčky naprázdno	2600/min	
Rezná dĺžka	51cm	60cm
Priemer vetvy	24mm	
Hmotnosť	2.7kg	2.8kg
Trieda ochrany	□ / II	

## INFORMÁCIE TÝKAJÚCE SA HLUČNOSTI

Meraný akustický tlak  $L_{pA}$ : 85dB(A)  
K=3dB(A)

Meraný akustický výkon  $L_{wA}$ : 100dB(A)

Ak je akustický tlak vyšší než 80 dB (A), používajte ochranu sluchu.



## INFORMÁCIE TÝKAJÚCE SA VIBRÁCIÍ

Celková hodnota vibrácií (priestorový vektorový súčet) je určená podľa požiadaviek normy EN 60745:

Typická nameraná hodnota vibrácií	4.7 m/s <sup>2</sup>
	Odchýlka K = 1.5 m/s <sup>2</sup>

Deklarovaná celková hodnota vibrácií sa môže použiť na vzájomné porovnanie jednotlivých náradí a takisto aj na predbežné stanovenie času práce.



**VAROVANIE:** Úroveň vibrácií pri aktuálnom použití elektrického náradia sa môže líšiť od deklarovanej hodnoty v závislosti od spôsobu, akým sa náradie používa, v závislosti od nasledujúcich príkladov a od iných variantov toho, ako sa náradie používa: Ako sa náradie používa a aké materiály sa budú rezať alebo vrtáť.

Náradie musí byť v dobrom stave a musí byť vykonávaná jeho riadna údržba.

S náradím sa musí používať správne príslušenstvo, a toto príslušenstvo musí byť ostré a v dobrom stave. Pevný úchop na rukovätiach a kontrola, či je vôbec použité antivibračné príslušenstvo.

Toto náradie môže byť použité iba na určené účely a podľa týchto pokynov.

**Ak sa toto náradie nepoužíva zodpovedajúcim spôsobom, môže spôsobiť syndróm choroby spôsobenej pôsobením vibrácií na ruky a paže obsluhy.**



**VAROVANIE:** Ak chcete byť presní, odhad času pôsobenia vibrácií v aktuálnych podmienkach pri použití tohto náradia by mal brať do úvahy taktiež všetky časti pracovného cyklu, ako sú časy, kedy je náradie vypnuté a kedy je v chode vo voľnobežných otáčkach, ale v skutočnosti nevykonáva žiadnu prácu. Čas pôsobenia vibrácií tak môže byť v rámci celkového pracovného času značne skrátený. Pomôžte minimalizovať čas pôsobenia vibrácií na obsluhu.

VŽDY používajte ostré sekáče, vrtáky a nože.

Vykonávajte údržbu tohto náradia podľa týchto pokynov a zaistite jeho riadne mazanie (ak je to vhodné).

Ak musíte toto náradie používať pravidelne, investujte do antivibračného príslušenstva.

Vyvarujte sa použitia tohto náradia pri teplotách nižších než 10°C.

Vypracujte si svoj plán práce, aby ste pôsobenie vysokých vibrácií tohto náradia rozdelili do niekoľkých dní.

# PRÍSLUŠENSTVO

## Bezpečnostný ochranný kryt Ochranné puzdro

Odporúčame vám, aby ste kúpili príslušenstvo v tom istom obchode, v ktorom ste kúpili aj vaše náradie. Ďalšie podrobnosti nájdete na obale príslušenstva. Personál predajne vám môže pomôcť a taktiež vám môže poskytnúť užitočnú radu.

## VŠEOBECNÉ BEZPEČNOSTNÉ VAROVANIA NA POUŽÍVANIE ELEKTRICKÉHO NÁRADIA



### **VAROVANIE: Prečítajte všetky bezpečnostné varovania a inštrukcie.**

Chyba pri sledovaní varovaní a inštrukcií môže viesť k elektrickému šoku, vypuknutiu požiaru a/alebo k vážnym zraneniam.

### **Odložte si všetky varovania a inštrukcie pre budúcu potrebu.**

Výraz „elektrické ručné náradie“ vás vo varovaniach odkazuje buď na náradie na elektrický pohon (napájané z elektrickej siete) alebo na akumulátorové náradie (napájané z akumulátora).

### **1. BEZPEČNOSŤ NA PRACOVISKU**

- Udržujte pracovisko čisté a dobre osvetlené.** Pracovisko plné nepotrebných predmetov alebo slabo osvetlené zvyšuje možnosť úrazu.
- Nepoužívajte elektrické ručné náradie v prostredí náchylnom na explóziu, ako napríklad v prítomnosti horľavých tekutín, plynov alebo prachu.** Elektrické ručné náradie vytvára iskry, ktoré môžu vznietiť prach alebo výpary.
- Udržujte deti a prizerajúcich sa v dostatočnej vzdialenosti pri práci s elektrickým ručným náradím.** Strata pozornosti môže viesť k strate kontroly nad náradím.

### **2. BEZPEČNOSŤ PRI PRÁCI S ELEKTRINOU**

- Prípojky elektrického ručného náradia musia byť vhodné so zástrčkami.** Nemodifikujte prípojku žiadnym spôsobom. Nepoužívajte spolu s uzemneným ručným náradím žiadne adaptérové prípojky, ktoré neumožňujú ochranu uzemnením. Pôvodné prípojky a k nim prislúchajúce zástrčky znižujú riziko úrazu elektrickým prúdom.
- Vyhýbajte sa kontaktu s uzemnenými povrchmi, ako napríklad rúrkami, radiátormi, sporákmi a chladničkami.** Keď

je vaše telo spojené s uzemneným predmetom alebo stojí na uzemnenom území, je zvýšené riziko elektrického šoku.

- Nevystavujte ručné náradie dažďu alebo vlhkým podmienkam.** Keď sa voda dostane pod povrch elektrického ručného náradia, je zvýšené riziko elektrického šoku.
- Nezaochádzajte s káblom prípojky necitlivo. Nikdy si nepríťahuje elektrické ručné náradie k sebe pomocou kábla, neťahajte ho za sebou pomocou kábla a nevytrhávajte kábel zo zástrčky aby ste ručné náradie vyplí.** Nevystavujte kábel vysokým teplotám, oleju, ostrým hranám alebo pohyblivým časťami. Poškodené alebo zamotané káble môžu viesť k zvýšenému riziku elektrického šoku.
- Pri práci s ručným náradím v exteriéri použite predĺžovací kábel vhodný na použitie v exteriéri.** Použitím kábla vhodného na použitie v exteriéri redukuje riziko vzniku elektrického šoku.
- Pokiaľ je práca s ručným náradím vo vlhkých podmienkach nevyhnutná, použite napájanie chránené ističom typu prúdový chránič (RCD).** Použitie RCD ističa redukuje riziko vzniku elektrického šoku.

### **3. OSOBNÁ BEZPEČNOSŤ**

- Buďte sústredení, sledujte, čo robíte, a pri práci s ručným náradím sa riad'te zdravým rozumom. Nepoužívajte ručné náradie, keď ste unavení alebo pod vplyvom omamných látok, alkoholu alebo liekov.** Moment nepozornosti pri práci s ručným náradím môže viesť k vážnemu osobnému zraneniu.
- Použite osobné ochranné pomôcky. Vždy noste ochranu očí.** Ochranné pomôcky, ako napríklad protiprachová maska, topánky s protišmykovou podrážkou alebo chrániče sluchu použité v príslušných podmienkach pomáhajú redukovat' vážne osobné zranenia.
- Predíd'te neúmyselnému zapnutiu. Uistite sa, že prepínač je vo vypnutej pozícii, pred tým, než zapojíte náradie do elektriny a/ alebo k akumulátoru, pri zdvihnutí alebo nosení náradia.** Nosenie náradia s prstom na prepínači alebo aktívneho náradia, ktoré je zapnuté, zvyšuje možnosť úrazu.
- Odstráňte akékoľvek nastavovacie kľúče alebo kľúče na matice a skrutky pred tým, než zapnete ručné náradie.** Nastavovací alebo iný kľúč ponechaný pripevnený na rotujúcej časti ručného náradia môže spôsobiť osobný úraz.
- Neprečunujte sa. Udržujte si stabilitu a pevnú zem pod nohami za každých podmienok.** Umožňuje vám to lepšiu kontrolu nad ručným náradím v neočakávaných situáciách.
- Oblečte sa náležite. Nenoste voľné oblečenie alebo šperky. Udržujte svoje vlasy, oblečenie a rukavice vzdialené od pohyblivých častí.** Voľné oblečenie, šperky alebo dlhé vlasy sa môžu do pohyblivých častí zachytiť.

g) **Pokiaľ sú zariadenia nastavené na spojenie so zariadeniami na zachytávanie a extrakciu prachu, uistite sa, že sú náležite využitú a pripojené.** Použitím zberača prachu redukuje riziká spojené s prachom.

#### 4. POUŽITIE A ÚDRŽBA RUČNÉHO NÁRADIA

- a) **Nepret'azujte ručné náradie. Použite správne ručné náradie na danú činnosť.** Správne ručné náradie spraví prácu lepšie a v medziach, na ktoré bolo navrhnuté.
- b) **Nepoužívajte ručné náradie, pokiaľ sa prepínač neprepína medzi zapnutím a vypnutím.** Akékoľvek ručné náradie, ktoré nie je kontrolovateľné prepínačom, je nebezpečné a musí byť opravené.
- c) **Odpojte prípojku ručného náradia od zdroja energie a/alebo akumulátora pred tým, než začnete robiť akékoľvek úpravy, vymieňať doplnky alebo uskladňovať ručné náradie.** Takéto preventívne bezpečnostné opatrenia redukovú riziko náhodného zapnutia ručného náradia.
- d) **Keď ručné náradie nepoužívate, skladujte ho mimo dosahu detí a nedovoľte osobám, ktoré nemajú skúsenosti s prácou s ručným náradím alebo neboli oboznámené s týmito inštrukciami, dotýkať sa náradia.** Ručné náradie je nebezpečné v rukách netrénovanej osoby.
- e) **Údržba ručného náradia. Skontrolujte chybné pripojenia alebo spojenia pohyblivých častí, zlomené časti alebo iné okolnosti, ktoré by mohli ovplyvniť funkčnosť ručného náradia. Pri poškodení musí byť pred použitím najprv elektrické ručné náradie opravené.** Mnoho úrazov vzniká preto, že je elektrické ručné náradie zle udržiavané.
- f) **Udržujte rezacie nástroje ostré a čisté.** Náležite udržiavané rezacie nástroje s ostrými rezacími hranami sú menej náchylné na „zaseknutie“ a sú ľahšie ovládateľné.
- g) **Používajte elektrické náradie v súlade týmito pokynmi, berte pritom do úvahy pracovné podmienky a druh vykonávanej práce.** Ak sa elektrické náradie použije na iné účely, než na čo je určené, môže dochádzať k nebezpečným situáciám.

#### 5. SERVIS

- a) **Servisné práce na náradí nechajte vykonať kvalifikovaných pracovníkov s použitím originálnych náhradných dielov.** Výsledkom bude trvalá bezpečnosť pri práci s elektrickým náradím.

## BEZPEČNOSTNÉ VAROVANIA TÝKAJÚCE SA NOŽNÍC NA ŽIVÉ PLOTY:

- Udržujte všetky časti tela v bezpečnej vzdialenosti od pohybujúcich sa nožov. Ak sú nože nožníc v pohybe, neodstraňujte ostrihaný materiál a nedržte materiál, ktorý budete strihať. Pred odstránením zaseknutého materiálu sa uistite, či je spínač v polohe vypnuté.** Chvilková nepozornosť pri práci s nožnicami na živé ploty môže viesť k spôsobeniu vážneho zranenia.
- Prenášajte nožnice na živé ploty za rúkovať a vždy so zastavenými nožmi nožníc. Pri preprave alebo pri uložení nožníc na živé ploty vždy nasadte na nože nožníc ochranné puzdro.** Správna manipulácia s nožnicami na živé ploty zníži riziko možného zranenia osôb, ktoré by bolo spôsobené nožmi nožníc.
- Udržujte napájaci kábel v bezpečnej vzdialenosti od pracovného priestoru.** Počas práce môže dôjsť k ukrytiu kábla v kře, a tak môže dôjsť k jeho náhodnému prestrihnutiu.
- Pri práci, počas ktorej sa môžu nože nožníc dostať do kontaktu so skrytými vodičmi alebo s vlastným napájacím káblom, držte elektrické náradie vždy iba za izolované plochy.** Kontakt nožov so „živým“ vodičom spôsobí, že neizolované kovové časti náradia budú taktiež „živé“, čo spôsobí obsluhu úraz elektrickým prúdom.
- Skontrolujte živý plot, či neobsahuje cudzie prvky, ako sú napríklad natiahnuté drôty.
- Pri práci s nožnicami na plot používajte obidve ruky. Držanie nožníc iba jednou rukou vedie k strate kontroly a vzniku vážneho úrazu.
- Odporúčame používať s prúdovou ochranou s vypínacím prúdom 30 mA alebo nižším.

## SYMBOLY



Používateľ si musí prečítať návod na obsluhu, aby bolo obmedzené riziko spôsobenia zranenia.



Používajte ochranu sluchu



Používajte ochranu zraku



Používajte masku proti prachu



Nevystavujte toto zariadenie vlhkosti



Ak dôjde k poškodeniu alebo prestrihnutiu napájacieho kábla, okamžite odpojte zástrčku napájacieho kábla od sieťovej zásuvky.



Dvojitá izolácia



Udržujte ruky v bezpečnej vzdialenosti



Elektrické výrobky sa nesmú likvidovať spolu s domácim odpadom. Recyklujte v zberných miestach na tento účel zriadených. O možnosti recyklácie sa informujte na miestnych úradoch alebo u predajcu.

### 3. HÁČIK NA ZAISTENIE NAPÁJACIEHO KÁBLA (pozri obr. D)

Náradie je vybavené háčikom na uchytenie predlžovacieho kábla, aby bolo zamedzené odpájaniu pripojeného kábla. Ak chcete využiť túto funkciu, vytvorte na konci predlžovacieho kábla slučku, pretiahnite túto slučku otvorom v spodnej časti háčika, potom zaveste slučku na háčik a zatiahnutím za kábel slučku dotiahnite.

### 4. SPUSTENIE A ZASTAVENIE (pozri obr. E)

#### PRÉD SPUSTENÍM NOŽNÍČ NA ŽÍVÉ PLOTY

Odstráňte z nožov ochranné puzdro (7).

#### SPUSTENIE NOŽNÍČ NA ŽÍVÉ PLOTY

Na vašich nožniciach na živé ploty sú dve spínacie páky (2 a 3).

Ak chcete toto náradie spustiť, musíte stlačiť obe tieto páky. Stlačte a držte prednú spínaciu páku (3) a stlačte zadnú spínaciu páku (2). (Pozri obr. E)

#### ZASTAVENIE NOŽNÍČ NA ŽÍVÉ PLOTY

Pred zastavením premiestnite nožnice mimo pracovného priestoru.

Ak chcete nožnice **ZASTAVIŤ**, uvoľnite jednu zo spínacích pák. (Pozri obr. F)



**VAROVANIE:** Ak je niektorá časť poškodená alebo ak došlo k jej strate, nepoužívajte toto náradie, pokiaľ nebudú všetky poškodené časti vymenené alebo opravené. Ak nedodržíte tento pokyn, môže dôjsť k vážnemu zraneniu. **NEPOUŽÍVAJTE TOTO NÁRADIE BEZ RUKOVÄTI A OCHRANNÉHO KRYTU.**

### 5. AKO SA NOŽNICE NA ŽÍVÉ PLOTY POUŽÍVAJÚ

Pred každým použitím skontrolujte priestor, kde budete s nožnicami pracovať, a odstráňte všetky predmety, ktoré môžu byť odmrštené alebo ktoré by sa mohli namotať na nože nožnic.

Pred spustením držte tieto nožnice na živé ploty vždy oboma rukami a tak, aby nože nožnic smerovali smerom od vás.

**Pri práci dbajte stále na to, aby sa napájaci kábel nachádzal za nožnicami. Dbajte na to, aby sa nenachádzal na živom plote, pretože by tu mohlo dôjsť k jeho prestrihnutiu.**

Ak stiháte čerstvo obrastané živé ploty, používajte široké oblúkové pohyby tak, aby boli nové stonky navádzané priamo do nožov nožnic.

Pred začatím strihania počkajte, pokiaľ nože nožnic nedosiahnu maximálne otáčky.

Vždy pracujte v bezpečnej vzdialenosti od ostatných osôb a pevných predmetov, ako sú steny, veľké kamene, stromy, vozidlá atď.

Ak dôjde k zastaveniu nožov nožnic, okamžite tieto nožnice zastavte. Odpojte nožnice na živé ploty od elektrickej siete a odstráňte z nožov nožnic všetky zaseknuté zvyšky rastlín.

Pri strihaní príhľivých alebo pichľavých rastlín používajte ochranné rukavice.

Pohybujte s nožnicami na živé ploty tak, aby vetvičky živých plotov smerovali priamo do nožov nožnic.

Nepokúšajte sa strihať stonky alebo vetvičky, ktoré sú pre nože nožnic príliš veľké.

## POKYNY NA OBSLUHU



**VAROVANIE!** Nepoužívajte toto náradie bez riadne upevneného krytu a prednej rukoväti.

### URČENÉ POUŽITIE

Toto náradie je určené na použitie v domácnostiach na strihanie a úpravu živých plotov a krovin.

### 1. MONTÁŽ BEZPEČNOSTNÉHO KRYTU (pozri obr. A)

Zasuňte tento bezpečnostný ochranný kryt (5) do určenej drážky, ako je zobrazené na obr. A.

Na riadne upevnenie tohto krytu použite dve skrutky. Uistite sa, či je kryt riadne upevnený.

### 2. MONTÁŽ PREDNEJ RUKOVÄTI



**Pred použitím náradia musí byť upevnená predná rukoväť (4):**

- 1) Pripevnite prednú rukoväť ku krytu náradia. Najskôr stlačte malé tlačidlo (a) nachádzajúce sa vnútri. Uistite sa, či výstupky na prednej rukoväti dokonale zapadajú do zodpovedajúcich zárezov na kryte náradia. (Pozri obr. B a C)
- 2) Zasuňte a dotiahnite 4 skrutky.
- 3) Skontrolujte, či je rukoväť riadne zaistená a ak je to nutné, znovu dotiahnite skrutky.

Uistite sa, či je rukoväť riadne upevnená.

## STRIHANIE HORNEJ ČASTI KRA (pozri obr. G)

Používajte široký oblúkový pohyb. Najlepšie pracovné výsledky zaručuje mierny sklon nožov nožníc v smere vykonávaného pohybu.

## STRIHANIE BOČNEJ ČASTI KRA (pozri obr. H)

Pri strihaní bočnej časti živého plotu začnite prácu v jeho spodnej časti a strihajte smerom hore tak, aby sa živý plot hore zužoval dovnútra. Tento tvar odhalí väčšiu časť živého plotu, čo má za následok jeho rovnomernejší rast.



**VAROVANIE:** Pred každým použitím skontrolujte predlžovacie káble. Ak sú poškodené, okamžite ich vymeňte. Nikdy nepoužívajte náradie s poškodeným napájacím káblom, pretože pri kontakte s poškodenou časťou kábla by mohlo dôjsť k úrazu elektrickým prúdom a k následnému vážnemu zraneniu. Ak dôjde k poškodeniu napájacieho kábla, jeho výmena musí byť vykonaná v autorizovanom servise. Dbajte na to, aby toto náradie nebolo vystavené pôsobeniu dažďa.

## ÚDRŽBA

### ČISTENIE

Odpojte náradie od elektrickej siete. Pomocou mäkkej kefy odstráňte zo všetkých vetracích otvorov a z nožov nožníc všetky nečistoty.

Ak dôjde k poškodeniu napájacej šnúry, nechajte ju bezpečne vymeniť u výrobcu, v servise alebo inou príslušne kvalifikovanou osobou.

Utrite povrch náradia suchou handričkou.



**VAROVANIE!** Nikdy nepoužívajte pri čistení vašich nožníc na živé ploty vodu. Nepoužívajte pri čistení chemické látky, vrátane benzínu, alebo rozpúšťadlá, pretože by mohli vaše nožnice na živé ploty poškodiť.

### MAZANIE NOŽOV NOŽNÍC

Mažte nože nožníc pred a po každom použití týchto nožníc, aby bol uľahčený chod nožov a aby bola predĺžená ich prevádzková životnosť. Pred mazaním sa vždy uistite, či sú nožnice na živé ploty odpojené od zdroja elektrického napájania. Aplikujte olej tak, aby pretekal medzi dvoma nožmi. (Pozri obr. I)

Tieto nožnice na živé ploty by ste mali počas práce občas zastaviť, odpojiť od napájania a namazať.

### PO UKONČENÍ SEZÓNY

Kompletne vyčistite nožnice na živé ploty. Skontrolujte, či sú riadne dotiahnuté všetky skrutky a matice.

Vykonajte vizuálnu kontrolu týchto nožníc, či nie sú niektoré časti opotrebované alebo poškodené.

### ULOŽENIE NOŽNÍC NA ŽIVÉ PLOTY

Uložte nepoužívané nožnice na živé ploty na bezpečnom a suchom mieste, na ktoré nebudú mať prístup deti. Nekladte na toto náradie žiadne ďalšie predmety.

## OCHRANA ŽIVOTNÉHO PROSTREDIA



Elektrické výrobky sa nesmú likvidovať spolu s domácim odpadom. Recyklujte v zberných miestach na tento účel zriadených. O možnosti recyklácie sa informujte na miestnych úradoch alebo u predajcu.

## VYHLÁSENIE O ZHODE

My,  
POSITEC Germany GmbH  
Konrad-Adenauer-Ufer 37  
50668 Köln

Týmto vyhlasujeme, že výrobok  
Názov **Nožnice na živé ploty WORX**  
Typ **WG209E, WG210E (2-označenie strojového zariadenia, zástupca nožníc na živé ploty)**  
Funkcia **Strihanie živých plotov a krovin**

Spĺňa požiadavky nasledujúcich smerníc  
**2006/42/EC**  
**2014/30/EU**  
**2011/65/EU**  
**2000/14/EC upravená smernicou 2005/88/EC**

2000/14/EC v novelizácii 2005/88/EC:

- Postup posudzovania zhody podľa **Dodatok V**

- Meraná úroveň akustického výkonu **97,4dB**

- Deklarovaná zaručená úroveň akustického výkonu **98dB**

Použité normy:

**EN 60745-1**

**EN ISO 3744**

**EN 55014-2**

**EN 61000-3-3**

**EN 60745-2-15**

**EN 55014-1**

**EN 61000-3-2**

Osoba zodpovedajúca za vytvorenie technickej dokumentácie:

**Meno Russell Nicholson**

**Adresa Positec Power Tools (Europe) Ltd, PO Box 6242, Newbury, RG14 9LT, UK**



Suzhou 2016/10/20

Allen Ding

Zástupca vrchnej konštruktívnej kancelárie,  
Testovanie & Certifikácia

## 1. PEGA TRASEIRA

## 2. ALAVANCA

## 5. ALAVANCA DA PEGA FRONTAL

## 6. PEGA FRONTAL

## 7. DISPOSITIVO DE SEGURANÇA

## 8. LÂMINA

## 9. COBERTURA DA LÂMINA

**Acessórios ilustrados ou descritos não estão totalmente abrangidos no fornecimento.**

# DADOS TÉCNICOS

Tipo **WG209E, WG210E (2- designação de aparelho mecânico, representativo de Corta-sebes)**

	WG209E	WG210E
Tensão nominal	230-240V~50Hz	
Entrada nominal	550W	600W
Velocidade nominal em vazio	2600/min	
Comprimento de corte	51cm	60cm
Diâmetro de corte	24mm	
Gewicht	2.7kg	2.8kg
Duplo isolamento	□ / II	

# DADOS SOBRE RUÍDOS E VIBRAÇÕES

Pressão de som avaliada  $L_{pA}$ : 85dB(A)  $K=3dB(A)$

Potência de som avaliada  $L_{WA}$ : 100dB(A)

Use protecção de ouvidos quando a pressão for superior a 80dB(A)



# INFORMAÇÃO DE VIBRAÇÃO

Os valores totais de vibração são determinados de acordo com a normativa EN 60745

Vibração característica ponderada	4.7m/s <sup>2</sup>
	Instabilidade $K = 1.5m/s^2$

O valor total declarado da vibração poderá ser

utilizado para comparar uma ferramenta com outra e poderá também ser utilizado numa avaliação preliminar de exposição.



**AVISO:** Os valores de emissão de vibração durante a utilização da ferramenta podem divergir dos valores declarados, dependendo da forma como a ferramenta é utilizada, dependendo dos exemplos seguintes e de outros modos de utilização:

O modo como a ferramenta é utilizada, os materiais a cortar ou perfurar.

A ferramenta estar em boas condições e bem conservada.

A utilização do acessório correcto para a ferramenta e a garantia de que está afiada e em boas condições.

A firmeza com que se segura nas pegas e se quaisquer acessórios vibratórios são utilizados. Se a ferramenta é utilizada para o objectivo para a qual foi concebida e segundo as instruções.

**Esta ferramenta pode causar síndrome de vibração mão-brço, se não for adequadamente utilizada.**



**AVISO:** Para ser preciso, uma estimativa do nível de exposição nas condições actuais de utilização devem ter em conta todas as partes do ciclo de operação, como tempos em que a ferramenta está desligada e quando está em funcionamento, mas inactiva, ou seja, não realizando o seu trabalho. Isto poderá reduzir significativamente o nível de exposição durante o período total de trabalho.

Como minimizar o seu risco de Utilize SEMPRE formões, brocas e lâminas afiadas.

Mantenha esta ferramenta de acordo com as instruções e bem lubrificada (quando aplicável)

Se a ferramenta for utilizada regularmente, invista em acessórios anti-vibração.

Evite utilizar ferramentas a temperaturas de 10°C ou inferior.

Planeie o seu horário de trabalho de forma a distribuir a utilização de ferramentas de alta vibração ao longo de vários dias.

# ACESSÓRIOS

**Dispositivo de segurança**

**1**

**CoBERTURA da lâmina**

**1**

Recomendamos-lhe que compre todos os acessórios no fornecedor onde tenha adquirido a ferramenta.

Para mais pormenores, consulte a embalagem destes. Os comerciais também pode ajudar e aconselhar.



# AVISOS GERAIS DE SEGURANÇA DE FERRAMENTAS ELÉCTRICAS



**ATENÇÃO! Leia atentamente as seguintes instruções.** A não observância destas instruções pode causar choque eléctrico, incêndio e/ou lesões graves.

**Guarde estas instruções para referência futura.**

Os termos “ferramenta eléctrica” utilizados em todos os avisos constantes destas instruções referem-se à sua ferramenta eléctrica accionada por corrente eléctrica (com cabo de alimentação) ou ferramenta eléctrica accionada por bateria (sem cabo de alimentação).

## 1) LOCAL DE TRABALHO

- a) **Mantenha o local de trabalho limpo e bem arrumado.** Áreas com pouca iluminação e desordenadas podem provocar acidentes.
- b) **Não utilize o aparelho em locais onde existam líquidos, gases ou poeiras inflamáveis e onde exista o risco de explosão.** As ferramentas eléctricas produzem faíscas que podem inflamar poeiras ou gases.
- c) **Mantenha as pessoas e particularmente as crianças afastadas da ferramenta eléctrica durante o seu funcionamento.** Qualquer distração pode fazê-lo perder o controlo do berbequim.

## 2) SEGURANÇA ELÉCTRICA

- a) **A ficha do berbequim deve encaixar bem na tomada de alimentação. Nunca modifique fichas, seja de que maneira for. Não utilize nenhuma ficha de adaptação com ferramentas eléctricas que tenham ligação à terra.** Fichas não modificadas e tomadas de corrente adequadas reduzem o risco de choque eléctrico
- b) **Evite o contacto do corpo com superfícies ligadas à terra como tubos, aquecedores, fogões e frigoríficos.** Existe um aumento do risco de choque eléctrico se o seu corpo estiver em contacto com a terra ou a massa.
- c) **Não exponha este equipamento à chuva ou humidade.** A infiltração de água num aparelho eléctrico aumenta o risco de choque eléctrico.
- d) **Não maltrate o cabo de alimentação. Nunca utilize o cabo para transportar, puxar ou desligar o aparelho da tomada de corrente. Mantenha o cabo afastado de fontes de calor, óleos, arestas afiadas ou peças em movimento.** Cabos danificados ou enredados aumentam o risco de choque eléctrico.
- e) **Quando trabalhar com uma ferramenta eléctrica ao ar livre, use um cabo de extensão adequado para utilização no exterior.** A utilização de um cabo adequado

para uso exterior reduz o risco de choque eléctrico.

- f) **Se não puder evitar a utilização de uma ferramenta eléctrica num local húmido, utilize uma fonte de alimentação protegida contra corrente residual.** A utilização de um dispositivo com protecção contra corrente residual reduz o risco de choque eléctrico.
- ## 3) SEGURANÇA DE PESSOAS
- a) **Esteja atento, observe o que está a fazer e seja prudente sempre que trabalhar com uma ferramenta eléctrica. Não utilize nunca uma ferramenta eléctrica quando estiver cansado ou sob a influência de drogas, álcool ou medicamentos.** Um momento de desatenção quando se utiliza uma ferramenta eléctrica pode causar lesões graves.
  - b) **Utilize equipamentos de segurança. Use sempre óculos de protecção.** Equipamentos de segurança, tais como máscaras protectoras, sapatos de sola antiderrapante, capacetes ou protecções auriculares devidamente utilizados reduzem o risco de lesões.
  - c) **Evite o arranque accidental da ferramenta. Certifique-se de que o computador de alimentação está desligado antes de ligar a ferramenta à fonte de alimentação e/ou à bateria, antes de pegar nela ou antes de a transportar.** Se mantiver o dedo no interruptor ou accionar o aparelho enquanto este estiver ligado podem ocorrer acidentes.
  - d) **Remova quaisquer chaves de ajuste ou de porcas antes de ligar a ferramenta eléctrica.** Chaves de porcas ou de ajuste fixadas a peças móveis do berbequim podem causar lesões.
  - e) **Não exceda as suas próprias capacidades.** Mantenha sempre o corpo em posição firme e de equilíbrio, o que lhe permite controlar melhor a ferramenta eléctrica em situações imprevistas.
  - f) **Use roupa apropriada. Não use vestuário solto ou artigos de joalheria. Mantenha o cabelo, vestuário e luvas afastados de peças em movimento.** Roupas soltas, artigos de joalheria ou cabelos compridos podem ser agarrados por peças em movimento.
  - g) **Se forem fornecidos dispositivos para a montagem de unidades de extracção ou recolha de resíduos, Assegure-se de que são montados e utilizados adequadamente.** A utilização destes dispositivos pode reduzir os perigos relacionados com a presença de resíduos.
- ## 4) UTILIZAÇÃO E MANUTENÇÃO DA FERRAMENTA ELÉCTRICA
- a) **Não force a ferramenta. Utilize a ferramenta eléctrica apropriada para cada aplicação.** A utilização da ferramenta eléctrica apropriada executa o trabalho de forma melhor e mais segura, à velocidade para a qual foi concebida.
  - b) **Não utilize esta ferramenta se o interruptor**

**estiver deficiente, não ligando ou desligando.** Qualquer ferramenta eléctrica que não possa ser controlada pelo interruptor é perigosa e deve ser reparada.

- c) Desligue a ficha de alimentação e/ou remova a bateria da ferramenta antes de proceder a quaisquer ajustes, antes de mudar de acessórios ou antes de guardar a ferramenta.** Estas medidas de segurança preventivas reduzem o risco de activação accidental da ferramenta.
- d) Quando não estiver a usar a ferramenta eléctrica, guarde-a fora do alcance das crianças e não deixe que esta seja utilizada por pessoas que não a conheçam, nem tenham lido as instruções.** As ferramentas eléctricas são perigosas nas mãos de utilizadores inexperientes.
- e) Faça a manutenção de ferramentas eléctricas. Verifique quaisquer desalinhamentos, encaixes de peças móveis, quebras e outras condições que possam afectar o funcionamento. Se esta ferramenta estiver avariada, mande-a reparar antes a utilizar.** Muitos acidentes são causados pela manutenção deficiente de ferramentas eléctricas.
- f) Mantenha as ferramentas de corte limpas e afiadas.** As ferramentas de corte com manutenção adequada e arestas de corte afiadas têm menos probabilidades bloquear e são mais fáceis de controlar.
- g) Utilize a ferramenta eléctrica, acessórios, brocas, etc. em conformidade com estas instruções e da forma prevista para este tipo específico de ferramenta, tendo em conta as condições presentes e o trabalho a executar.** A utilização de ferramentas eléctricas para aplicações diferentes daquelas a que se destinam pode levar a situações de perigo.
- 5) ASSISTÊNCIA TÉCNICA**
- a) A sua ferramenta eléctrica só deve ser reparada por um técnico de assistência qualificado e devem ser apenas utilizadas peças de substituição genuínas,** mantendo assim a segurança da ferramenta.

## HEKKSAKS - SIKKERHETSADVARSLER:

- 1. Hold alle kroppsdeler borte fra skjærekniven. Ikke fjern avskåret materiale eller hold fast i ting som skal skjæres i mens skjærekniven er i bevegelse. Kontroller at bryteren er AV når du tar bort fastkilte materialer.** Ett øyeblikk av uoppmerksomhet mens hekksaksen er på kan gi alvorlige personskader.
- 2. Bær hekksaksen ved håndtaket når**

**skjærekniven er stanset. Når du transporterer eller lagrer hekksaksen må du ha på bladbeskytteren.** Riktig håndtering av hekksaksen minsker muligheten for personskader pga. skjærekniven.

- 3. Mantenha o cabo afastado da área de corte.** Durante a utilização, o cabo poderá estar escondido nos arbustos e pode ser acidentalmente cortado pela lâmina.
- 4. Segure a ferramenta pelas superfícies de controlo isoladas ao executar uma operação onde a ferramenta cortante pode contactar com uma instalação eléctrica escondida.** O contacto com um fio eléctrico activo também passará a corrente eléctrica às partes de metal expostas da ferramenta e dar choque ao operador da mesma.
5. Verifique se a sebe contém objetos estranhos, por ex.: cercas de arame.
6. Utilize as duas mãos quando estiver a operar o corta-sebes. Se utilizar apenas uma mão para fazê-lo pode causar a perda de controlo e resultar em graves lesões físicas.
7. Recomendação para utilizar um dispositivo de corrente residual com uma corrente de disparo de 30 mA ou inferior.

## SÍMBOLOS



Para reduzir o risco de ferimentos o utilizador deve ler o manual de instruções



Usar óculos de protecção



Usar protecção para os ouvidos



Usar máscara contra o pó



Não utilizar em ambientes de humidade ou molhados



Desligue a ficha de alimentação da tomada se o cabo sofrer danos ou ficar emaranhado



Isolamento duplo



Mantenha as mãos afastadas da ferramenta



Os equipamentos eléctricos não devem ser despositados com o lixo doméstico. Se existirem instalações adequadas deve reciclá-los. Consulte a sua autoridade local para tratamento de lixos ou fornecedor para obter aconselhamento sobre reciclagem.

## INSTRUÇÕES DE FUNCIONAMENTO

**ATENÇÃO!** Não utilize esta ferramenta sem colocar a guarda e a pega frontal.

### UTILIZAÇÃO CONFORME AS DISPOSIÇÕES

O aparelho é destinado para cortar e podar sebes e arbustos em jardins domésticos e de passatempos.

#### 1. MONTAGEM DA GUARDA (Ver Fig. A)

Insira a guarda na ranhura tal como mostra a figura A. Certifique-se de que a guarda está devidamente fixa. Use dois parafusos para fixar bem a guarda.

#### 2. MONTAGEM DA PEGA FRONTAL

**ATENÇÃO!** A pega frontal deve ser colocada antes de usar o corta-sebes:

- 1) Coloque o punho frontal na armação da unidade. Certifique-se de que as marcas protuberantes do punho frontal encaixam perfeitamente nas ranhuras correspondentes da armação. (Ver Fig. B e C)
- 2) Aperte os 4 parafusos.
- 3) Verifique se o punho se encontra bem fixo, caso contrário, aperte os parafusos novamente.

**Certifique-se de que o punho está firmemente fixo.**

#### 3. ALÍVIO DE TENSÃO DO CABO DE ALIMENTAÇÃO (Ver Fig. D)

Um retentor de cabo de extensão é fornecido para reduzir a tensão no cabo de alimentação. Para utilizar esta característica, forme um laço na extremidade do prolongamento do cabo e passe-o através da abertura existente na parte inferior do retentor do cabo de extensão, em seguida, enrole a extremidade do laço em torno do gancho e puxe para apertar.

#### 4. LIGAR E PARAR (Ver Fig. E ) ANTES DE LIGAR O SEU CORTA-SEBES

Remova a cobertura da lâmina (7).

#### PARA LIGAR O SEU CORTA-SEBES

O seu corta-sebes está equipado com duas alavancas de comutação (2 & 3).

Ambas as alavancas têm de ser premidas para pôr o corta-sebes a funcionar. Mantenha a alavanca de comutação frontal premida (3) e prima a alavanca traseira (2).

#### PARA PARAR O SEU CORTA-SEBES

Antes de desligar o corta-sebes afaste-o da área de corte.

Para parar o corta-sebes, liberte uma das alavancas



**ATENÇÃO!** Se qualquer peça do corta-sebes estiver em falta, danificada ou partida, não use o corta-sebes até a peça em questão ter sido substituída ou reparada. Se não o fizer, tal poderá dar origem a ferimentos pessoais graves.

#### 5. COMO UTILIZAR O SEU CORTA-SEBES

Inspeccione a área de corte antes de cada operação, remova os objectos que possam ser projectados ou que possam ficar presos nas lâminas de corte.

Segure sempre no corta-sebes com ambas as mãos e com a lâmina afastada de si antes de o ligar.

**Quando estiver a usar o corta-sebes, mantenha sempre o cabo de alimentação para a parte de trás deste. Não coloque o cabo de alimentação na parte de cima da sebe que está a cortar e num local onde o mesmo possa ser cortado pela lâmina.**

Ao cortar ramos novos, efectue movimentos largos de forma a apanhar os ramos com a lâmina.

Deixe que as lâminas de corte atinjam a sua velocidade máxima antes de cortar. Ao utilizar o corta-sebes, mantenha as lâminas de corte afastadas de pessoas e de objectos tais como paredes, pedras grandes, árvores, veículos, etc.

Se a lâmina ficar encravada, pare imediatamente o corta-sebes. Liberte as duas alavancas antes de tentar limpar os detritos acumulados nas lâminas. Use luvas ao cortar ramos com espinhos ou que piquem.

Não tente cortar ramos que sejam demasiado grossos para a lâmina de corte.

#### CORTE DE TOPO (Ver Fig. G)

Use movimentos largos. Uma ligeira inclinação da lâmina de corte para baixo proporciona melhores resultados.

#### CORTE LATERAL (Ver Fig. H)

Ao cortar a parte lateral de uma sebe, comece pela parte inferior e vá cortando para cima, corte o topo de sebe de forma a que esta fique menos espessa na parte superior. Esta forma irá expor mais a sebe e resultar num crescimento mais uniforme.



**ATENÇÃO!** Verifique os cabos de extensão antes de cada utilização. Se existirem danos, substitua os cabos imediatamente. Nunca utilize esta ferramenta se o cabo estiver danificado uma vez que se tocar na área danificada pode sofrer um choque eléctrico e ferimentos graves. Se o cabo de alimentação estiver danificado o mesmo deve ser substituído por um agente autorizado.

Não exponha a ferramenta à chuva.

# MANUTENÇÃO

## LIMPEZA

Desligue a ferramenta da tomada eléctrica. Use uma escova macia para remover os detritos de todas as ranhuras de ventilação e da lâmina de corte.

Se o cabo de alimentação estiver danificado, este deve ser substituído pelo fabricante, seu agente autorizado ou pessoal técnico qualificado para evitar qualquer situação de perigo.

Limpe a superfície do corta-sebes com um pano seco.



**AVISO:** Nunca utilize água para limpar o corta-sebes. Não limpe usando produtos químicos incluindo gasolina ou produtos solventes pois estes podem danificar o corta-sebes.

## LUBRIFICAÇÃO DA LÂMINA DE CORTE

Para uma mais fácil utilização do corta-sebes e uma maior vida útil do mesmo, lubrifique as lâminas de corte antes e após cada utilização. Antes da lubrificação, certifique-se de que a bateria foi retirada do corta-sebes. Aplique periodicamente óleo entre as duas lâminas.

Ocasionalmente, durante a utilização do corta-sebes, deve pará-lo, desligá-lo e lubrificá-lo.

## NO FIM DA OPERAÇÃO DE CORTE

Limpe bem o corta-sebes.

Verifique se todas as porcas e todos os parafusos estão devidamente apertados.

Inspeccione o corta-sebes para ver se existem peças desgastadas ou danificadas.

## PARA GUARDAR O CORTADOR DE SEBES

Guardar a corta-sebes em local seguro, seco e fora do alcance de crianças. Não colocar nenhum outro objecto sobre a tesoura.

## PROTECÇÃO AMBIENTAL



Os equipamentos eléctricos não devem ser depositados com o lixo doméstico.

Se existirem instalações adequadas deve reciclá-los. Consulte a sua autoridade local para tratamento de lixos ou fornecedor para obter aconselhamento sobre reciclagem.

# DECLARAÇÃO DE CONFORMIDADE

Nós,  
POSITEC Germany GmbH  
Konrad-Adenauer-Ufer 37  
50668 Köln

Declaramos que o produto  
Descrição **WORX Corta-sebes**  
Tipo **WG209E, WG210E (2- designação de aparelho mecânico, representativo de Corta-sebes)**

Função **Para aparar sebes e arbustos**

Cumpre as seguintes Directivas

Directiva respeitante a Máquinas

**2006/42/EC**

**2014/30/EU**

**2011/65/EU**

**2000/14/EC emendada por 2005/88/EC**

2000/14/EC rectificada em 2005/88/EC

–Processo de Avaliação de Conformidade segundo

**Annex V**

- Nível de Volume de Som Medido **97.4dB**

- Nível de Volume de Som Garantido **98dB**

Normas em conformidade com

**EN 60745-1**

**EN 60745-2-15**

**EN ISO 3744**

**EN 55014-1**

**EN 55014-2**

**EN 61000-3-2**

**EN 61000-3-3**

Pessoa autorizada a compilar o ficheiro técnico,

**Nome Russell Nicholson**

**Endereço Positec Power Tools (Europe) Ltd,**

**PO Box 6242 Newbury RG14 9LT UK**



Suzhou 2016/10/20

Allen Ding

Engenheiro-chefe adjunto, Teste e Certificação

## 1. BAKRE HANDTAG

## 2. BRYTARSPAK

## 3. FRÄMRE BRYTARSPAK

## 4. FRÄMRE HANDTAG

## 5. SÄKERHETSSKYDD

## 6. BLAD

## 7. BLADFODRAL

Avbildat eller beskrivet tillbehör ingår delvis inte i leveransomfånget.

# LADDARENS KOMPONENTER

Typ **WG209E, WG210E (2- maskinbeteckning, anger Häcktrimmer)**

	WG209E	WG210E
Spänning	230-240V ~ 50Hz	
Ineffekt	550W	600W
Hastighet utan belastning	2600/min	
Klipplängd	51cm	60cm
Klippdiameter	24mm	
Maskinens vikt	2.7kg	2.8kg
Skyddsklass	□ / II	

## LJUD- OCH VIBRATIONSDATA

Ett uppmätt ljudtryck  $L_{pA}$ : 85dB(A)  $K=3dB(A)$

En uppmätt ljudstyrka  $L_{wA}$ : 100dB(A)

Använd hörselskydd när ljudtrycket är över 80dB(A)



## VIBRATIONSINFORMATION

Vibration totala värden fastställda enligt EN60745:

Typisk uppmätt vibrering	4.7m/s <sup>2</sup>
	Osäkerhet $K = 1.5m/s^2$

Det angivna totala vibrationsvärdet kan användas för att jämföra olika verktyg med varandra samt vid en preliminär exponeringsutvärdering.



**VARNING:** Vibrationsvärde vid verklig användning av maskinverktyget kan skilja sig åt från det deklarerade värdet beroende på hur verktyget används och beroende på följande exempel och andra variationer om hur verktyget används: Hur verktyget används och materialet som skärs eller borras.

Verktyget är i bra skick och bra underhållet. Användning av korrekt tillbehör för verktyget och säkerställ att de är skarpa och i bra skick. Åtdragningsgraden av greppet på handtaget och om några antivibrationstillbehör används. Och att verktyget används såsom avsett enligt dess konstruktion och dessa instruktioner.

**Detta verktyg kan orsaka hand-arm vibrationssyndrom om det används på felaktigt sätt.**



**VARNING:** För att vara korrekt bör en beräkning av exponeringsnivån under verkliga förhållanden vid användning också tas med för alla delar av hanteringscykeln såsom tiden när verktyget är avstängt och när det körs på tomgång utan att utföra något arbete. Detta kan betydligt minska exponeringsnivån över den totala arbetsperioden.

Hjälp för att minimera risken för vibrationsexponering. Använd ALLTID skarpa mejslar, borrar och blad. Underhåll verktyget i enlighet med dessa instruktioner och håll det välsmort (där så behövs) Om verktyget ska användas regelbundet, investera i antivibrationstillbehör. Undvik att använda verktygen i temperaturer på 10°C eller lägre Planera ditt arbetsschema för att sprida ut användning av kraftigt vibrerande verktyg över flera dagar.

## TILLBEHÖR

**Säkerhetsskydd  
Bladfodral**

**1  
1**

Vi rekommenderar att du köper alla dina tillbehör från samma affär där du köpte verktyget. Se avsnittet med arbetstips i denna bruksanvisning eller tillbehörets förpackning för mer information. Affärspersonalen kan också hjälpa dig och ge dig råd.

# GENERELLA SÄKERHETSVARNINGAR FÖR ELVERKTYG



**VARNING! Läs alla instruktioner.** Följs inte alla nedanstående instruktioner kan det leda till elektriska stötar, brand och/eller allvarliga skador.

## Spara alla varningar och instruktioner för framtida bruk.

Termen "strömförande verktyg" i alla varningsmeddelande nedan avser ditt (sladdverktyg) strömförande verktyg eller batteridrivna (sladdlösa) strömförande verktyg.

### 1) ARBETSOMRÅDET

- a) **Håll arbetsområdet rent och väl upplyst.** Skräpiga och mörka områden är skaderisker.
- b) **Använd inte strömförande verktyg i explosiva miljöer, som nära brandfarliga vätskor, gaser eller damm.** Strömförande verktyg skapar gnistor som kan antända damm eller ingor.
- c) **Håll barn och isklådare borta när du använder ett strömförande verktyg.** Distractioner kan göra att du förlorar kontrollen.

### 2) ELSÄKERHET

- a) **Stickkontaktarna till verktyget måste matcha eluttaget. Modifiera inte stickkontakten på något sätt. Använd inte adapterkontakter i samband med jordade strömförande verktyg.** Omodifierade stickkontakter och matchande eluttag minskar risken för elstötar.
- b) **Undvik kroppskontakt med jordade ytor som rör, element, spisar och kylskåp.** Det finns en större risk för elstötar om din kropp är jordad.
- c) **Exponera inte strömförande verktyg för regn eller fuktiga förhållanden.** Kommer det in vatten i ett strömförande verktyg ökar det risken för elstötar.
- d) **Missbruka inte sladden. Använd aldrig sladden för att bära, dra eller dra ut stickkontakten för det strömförande verktyget. Håll sladden borta från hetta, olja, skarpa kanter eller rörliga delar.** Skadade eller tilltrasslade sladdar ökar risken för elstötar.
- e) **När du använder ett strömförande verktyg utomhus använder du en förlängningssladd som lämpar sig för utomhus bruk.** Använder du en sladd för utomhus bruk reducerar du risken för elstötar.
- f) **Om det inte går att undvika att driva ett elverktyg i en fuktig lokal, använd då en restströmsskyddad (RCD) strömtillförselanordning.** Användning av en RCD minskar risken för elektriska stötar.

### 3) PERSONLIG SÄKERHET

- a) **Var uppmärksam, håll ögonen på vad du gör**

**och använd sunt förnuft när du använder ett strömförande verktyg. Använd inte ett strömförande verktyg när du är trött eller påverkad av droger, alkohol eller läkemedel.**

En kort stund av ouppmärksamhet med strömförande verktyg kan resultera i allvarliga personskador.

- b) **Använd säker utrustning. Använd alltid skyddsglasögon.** Säkerhetsutrustning som munskydd, halkfria skor, skyddshjälm eller hörselskydd som används när det behövs kommer att reducera personskador.
  - c) **Förhindra ofrivillig start. Se till att kontakten är i off-läge innan du ansluter till strömkälla och/eller batterienheten, tar upp eller bär med dig verktyget.** Bär du strömförande verktyg med fingret på kontakten eller sätter i stickkontakten i elluttaget när kontakten är i PL-läge utgör det en skaderisk.
  - d) **Ta bort alla skiftnycklar eller skruvnycklar innan du sätter på det strömförande verktyget.** En skift- eller skruvnyckel som lämnas kvar på en roterande del på ett strömförande verktyg kan orsaka personskador.
  - e) **Sträck dig inte för långt. Bibehåll alltid fotfästet och balansen.** Detta gör att du kan kontrollera verktyget bättre i oväntade situationer.
  - f) **Klä dig rätt. Använd inte löst sittande kläder eller smycken.** Håll ditt hår, dina kläder och handskar borta från rörliga delar. Lösa kläder, smycket eller långt hår kan snärjas in i rörliga delar.
  - g) **Om det på enheterna finns anslutning för dammutsug och dammuppsamling ser du till att de är anslutna och används korrekt.** Använder du dessa anordningar reducerar det dammelaterade faror.
- ### 4) ANVÄNDNING OCH UNDERHÅLL AV STRÖMFÖRANDE VERKTYG
- a) **Forcera inte det strömförande verktyget. Använd korrekt verktyg för arbetet.** Det korrekta verktyget kommer att göra jobbet bättre och säkrare med den hastighet den tillverkats för.
  - b) **Använd inte verktyget om kontakten inte sätter på eller stänger av det.** Alla strömförande verktyg som inte kan kontrolleras med kontakten är farliga och måste repareras.
  - c) **Koppla från stickkontakten från strömkällan och/eller batterienheten från elverktyget innan du utför några justeringar, ändrar i tillbehören eller magasinerar elverktygen.** Sidana förebyggande säkerhetsåtgärder reducerar risken för att du startar verktyget oavsiktligt.
  - d) **Förvara verktyget som inte används utom räckhåll för barn och litet inte någon person använda verktyget som inte känner till verktyget eller dessa anvisningar.** Strömförande verktyg är farliga i händerna på utbildade användare.
  - e) **Utför underhåll på verktygen. Kontrollera inriktningen eller fästet för rörliga delar,**

defekta delar och alla andra saker som kan påverka användningen av elverktyget. Om den skadats måste elverktyget repareras före användning. Många olyckor orsakas av felaktigt underhållna elverktyg.

- f) **Håll sigverktyget skarpa och rena.** Korrekt underhållna skärverktyg med skarpa egg kommer inte att köra fast lika ofta och är enklare att kontrollera.
- g) **Använd elverktyget, tillbehören och verktygsbiten etc. i enlighet med dessa anvisningar och på det sätt som avsetts för varje typ av elverktyg. Ha också i åtanke arbetsförhållandena och arbetet som skall utföras.** Använder du elverktyg för åtgärder som skiljer sig det avsedda arbetet kan det resultera i riskfyllda situationer.

## 5) UNDERHÅLL

- a) **Låt ditt elverktyg underhållas av en kvalificerad reparatör som bara använder äkta reservdelar.** Det kommer att garantera att elverktygets säkerhet bibehålls.

# HÄCKTRIMMER SÄKERHETSVARNINGAR:

- Håll alla kroppsdelar borta från klippbladet. Ta inte bort klippmaterial eller håll i material som ska klippas medan bladen är i rörelse. Se till att brytaren är avstängd när du tar bort material som fastnat.** Ett ögonblick av uppmärksamhet när du arbetar med ett motordrivet verktyg kan resultera i allvarliga personskador.
- Bär häcktrimmern i handtaget och med bladet stoppat. Vid transport eller förvaring av häcktrimmern sätt alltid på skyddet för klippenheten.** Korrekt hantering av häcktrimmern minskar risken för eventuellt personskador från klippbladen.
- Håll sladden borta från skärområdet.** Under användning kan sladden döljas av t.ex. buskar och kapas av bladet.
- Håll verktyget med isolerade greppytor när du utför ett arbete där sigverktyget kan komma i kontakt med dolda sladdar eller sin egen sladd.** Kommer man i kontakt med en strömförande sladd kommer det att leda in ström i verktygets metalldelar och ge användaren en elchock.
- Kontrollera att häcken inte innehåller några främmande objekt, t.ex. nätstaket.
- Använd häcktrimmern med båda händerna. Att använda en hand kan göra att du tappar kontrollen och leda till allvarliga personskador.
- Det rekommenderas att använda en jordfelsbrytare med en gränsutlösningström på 30 mA eller mindre.

## SYMBOLER



För att minska risken för skador måste användaren läsa bruksanvisningen.



Använd skyddsglasögon



Använd hörselskydd



Använd skyddsmask mot damm



Undvik risk för elstöt genom att inte använda maskinen i våta eller fuktiga miljöer.



Ta omedelbart kontakten från vägguttaget om kabeln skadas eller klipps av.



Skyddsklass



Håll alltid undan händerna



Uttjänade elektriska produkter får inte kasseras som hushållsavfall. Återanvänd där det finns anläggningar för det. Kontakta dina lokala myndigheter eller återförsäljare för återvinningsråd.

## LADDNINGSPROCEDUR



**VARNING:** Använd inte produkten utan att ha monterat skyddet och främre handtaget.

### ÄNDAMÅLSENLIG ANVÄNDNING

Elverktyget är avsett för klippning och formning av häckar och buskar i trädgårdar.

### 1. MONTERING AV SKYDD (Se Fig. A)

Sätt in skyddet i facket såsom illustreras i fig A, se till att det sitter ordentligt fast.

Använd två skruvar för att fästa skyddet säkert.

## 2. MONTERING AV FRÄMRE HANDTAGET



**Det främre handtaget måste monteras före användning:**

- 1) Anslut fronthandtaget till huset. Kontrollera att de utskjutande markeringarna på fronthandtaget passar perfekt in i den matchande fördjupningen på huset (Se Fig. B & C).
- 2) Dra åt de fyra skruvarna.
- 3) Kontrollera att handtaget sitter säkert. Om inte, spänn skruvarna hårdare.

**Se till att handtaget sitter fast på plats.**

## 3. AVLASTNINGSANORDNING FÖR STRÖMSLADD (Se Fig. D)

En förlängningssladdhållare medföljer för att minska belastningen på strömsladden. Gör en ögla på förlängningssladden och för den genom öppningen nertill på förlängningssladdhållaren, och linda därefter öglans ände runt kroken och dra åt för att spänna den.

## 4. START OCH STOPP (Se Fig. E) INNAN DU STARTAR DIN HÄCKTRIMMER

Ta bort bladskyddet (7).

### STARTA HÄCKTRIMMERN

Din trimmer är utrustad med två brytarspakar (2 & 3). Båda brytarspakarna måste tryckas in för att häcktrimmern ska kunna startas. Tryck in och håll kvar den främre brytarspaken (3) och tryck på den bakre brytarspaken (2).

### STOPPA HÄCKTRIMMERN

Flytta bort häcktrimmern från klippområdet innan den stoppas.

För att stoppa, släpp en av brytarspakarna.



**VARNING:** Om någon del saknas, skadats eller gått sönder ska inte häcktrimmern användas innan de skadade delarna har bytts ut eller reparerats. Om inte detta görs finns det risk för allvarliga personskador.

## 5. HUR HÄCKTRIMMERN ANVÄNDS

Inspektera området som ska klippas före varje användning, ta bort föremål som kan kastas iväg eller kan trassla in sig i klippbladen.

Håll alltid trimmern med båda händerna och med bladen riktade bort från dig innan du startar den.

**Håll alltid strömsladden bakom häcktrimmern när den används. Placera den inte över häcken som du trimmar eftersom den kan bli klippd av bladen.**

Vid trimning av nyttillväxt bör en bred svepande rörelse användas så att stammarna matas direkt in till bladen.

Låt klippbladen nå full hastighet innan du klipper. Under arbetet, håll klippbladen borta från människor och föremål såsom väggar, stora stenar, träd, fordon etc.

Om bladen fastnar, stoppa trimmern omedelbart. Släpp de två brytarspakarna innan du försöker att ta bort skräp som fastnat i klippbladen.

Använd handskar när du trimmar taggiga eller stickande växter.

Flytta häcktrimmern för att mata grenarna direkt in till bladskärkanterna.

Försök inte att klippa grenar som är för stora för att matas in till klippbladet.

### TOPPKLIPPNING (Se Fig. G)

Använd en bred svepande rörelse. En lätt nedåtriktad lutning av klippbladen i rörelsen riktningsger det bästa klippresultatet.

### SIDOKLIPPNING (Se Fig. H)

Vid trimning av sidorna på en häck börjar du nederst och klipper uppåt och spetsar till överkanten på häcken inåt. Denna form exponerar mer av häcken vilket resulterar i en mer likformig tillväxt.



**VARNING:** Kontrollera förlängningssladdar före varje användning. Om de är skadade ska de bytas omedelbart. Använd aldrig

verktöget med en skadad sladd eftersom det skadade området kan ge elektriska stötar om det vidrörs och resultera i allvarliga skador.

Om den medföljande sladden är skadad bör den ersättas av ett godkänt lokalt servicecenter. Våra verktyget och utsatt det inte för regn.

## UNDERHÅLL

### RENGÖRING

Koppla ifrån elanslutningen. Använd en mjuk borste för att ta bort skräp från alla luftintag och klippbladen.

Om strömsladden är trasig, måste den bytas av tillverkaren eller dess serviceagent eller liknande behörig person för att undvika fara.

Torka ytan på häcktrimmern med en torr trasa.



**VARNING:** Använd aldrig vatten för att göra rent trimmern. Rengör inte med

### SMÖRJNING AV KLIPPBLADEN

För enklare drift och längre livslängd bör klippbladen smörjas före och efter varje användning. Innan smörjningen se till att batteriet är borttaget från trimmern. Applicera olja mellan de två bladen regelbundet (Se I).

Din trimmer bör stoppas, plockas isär och oljas då och då under användningsperioden.

### VID SLUTET AV KLIPPSÄSONEN

Rengör trimmern grundligt.


Kontrollera att alla muttrar och skruvar är fastsatta. Inspektera trimmern visuellt efter något slitage eller skadade delar.

### FÖRVARING AV HÄCKTRIMMERN

Förvara häcksaxen på ett säkert, torrt ställe utom räckhåll för barn. Ställ inte andra föremål på saxen.



# MILJÖSKYDD

 Uttjänade elektriska produkter får inte kasseras som hushållsavfall. Återanvänd där det finns anläggningar för det. Kontakta dina lokala myndigheter eller återförsäljare för återvinningsråd.

## DEKLARATION OM ÖVERENSSTÄMMELSE

Vi,  
POSITEC Germany GmbH  
Konrad-Adenauer-Ufer 37  
50668 Köln

Förklarar att denna produkt,  
Beskrivning **WORX Hedge Trimmer**  
Typ **WG209E WG210E**  
(2- maskinbeteckning, anger Häcktrimmer)  
Funktion **Trimma häckar och buskar**

Uppfyller följande direktiv,  
**2006/42/EC**  
**2014/30/EU**  
**2011/65/EU**  
**2000/14/EC ändrad av 2005/88/EC**

2000/14/EC ändrad av 2005/88/EC:  
- Konformitetsutvärderingsprocedur enligt **Bilaga V**  
- Uppmätt bullernivå **97.4dB**  
- Deklarerad garanterad bullernivå **98dB**

Standarder överensstämmer med  
**EN 60745-1**            **EN 60745-2-15**  
**EN ISO 3744**        **EN 55014-1**  
**EN 55014-2**        **EN 61000-3-2**  
**EN 61000-3-3**

Personen som godkänts att sammanställa den tekniska filen,  
**Namn Russell Nicholson**  
**Adress Positec Power Tools (Europe) Ltd, PO Box 6242 Newbury RG14 9LT UK**



Suzhou 2016/10/20  
Allen Ding  
Vice chefsingenjör, tester och certifiering

## 1. ZADNJI ROČAJ

## 2. ZADNJE STIKALO

## 3. SPREDNJE STIKALO

## 4. SPREDNJI ROČAJ

## 5. VAROVALO

## 6. REZILIO

## 7. ZAŠČITA REZILA

Pri standardni dobavi niso vključeni vsi prikazani dodatki.

# TEHNIČNI PODATKI

Vrsta **WG209E, WG210E (2-oznaka naprave, predstavnik rezalnikov žive meje)**

	WG209E	WG210E
Nazivna napetost	230-240V ~ 50Hz	
Nazivna moč	550W	600W
Število vrtljajev v prostem teku	2600/min	
Dolžina rezanja	51cm	60cm
<b>74</b> Premer rezanja	24mm	
Teža naprave	2.7kg	2.8kg
Razred zaščite	□ / II	

## PODATKI O HRUPU

Vrednotena raven zvočnega tlaka  $L_{PA}$ : 85dB(A)  $K=3dB(A)$

Vrednotena raven zvočne moči  $L_{WA}$ : 100dB(A)

Če raven zvočnega tlaka presega 80dB(A), obvezno uporabljate zaščito za sluh



## PODATKI O VIBRACIJAH

Skupne vrednosti oscilacij (vektorski seštevek treh smeri), skladno z EN 60745:

Tipična vrednotena raven vibracij	4.7m/s <sup>2</sup>
	Nezanesljivost meritve $K = 1.5m/s^2$

Deklarirano vrednost emisije vibracij lahko uporabite za primerjavo med strojčki, hkrati pa s pomočjo nje

predvidite pričakovano raven izpostavljenosti.



**OPOZORILO:** Dejanska vrednost emisije vibracij med uporabo orodja, se lahko razlikuje od navedene, kajti nanjo vpliva tudi način uporabe orodja, predvsem naslednje okoliščine:

Način uporabe orodja in materiali, ki jih z njim režete ali vanje vrtate.

Ali je orodje v dobrem stanju in ustrezno vzdrževano.

Uporaba ustreznega dodatka in njegova brezhibnost.

Čvrstost oprijema ročajev in morebitna uporaba dodatkov za zmanjševanje vibracij.

Uporaba orodja za predviden namen, skladen s temi navodili.

**Če orodja ne uporabljate pravilno, lahko povzročijo vibracijski sindrom zapestja in rok.**



**OPOZORILO:** Če želite resnično natančno oceniti raven izpostavljenosti v dejanskih okoliščinah, morate upoštevati tudi vse faze delovnega procesa, tudi število vklopov in izklopov orodja ter čas, ko deluje v prostem teku in neobremenjeno. To lahko znatno zmanjša raven izpostavljenosti tekom celotnega delovnega procesa.

Pomoč pri zmanjševanju tveganja pri izpostavljenosti vibracijam.

VEDNO uporabljajte le ostra dleta, svedre in rezila.

Orodje vzdržujte skladno s temi navodili in poskrbite, da bo dobro namazano (kjer je potrebno).

Če boste orodje uporabljali redno, potem investirajte v dodatke za zmanjševanje vibracij.

Orodja ne uporabljajte pri temperaturah pod 10°C.

Delo si organizirajte tako, da boste opravila z visoko ravnjo vibracij izvajali v več fazah, tekom nekaj dni.

## DODATKI

**Varovalo**  
**Zaščita rezila**

**1**  
**1**

Priporočamo vam, da dodatke vedno kupujete v isti trgovini, kot ste kupili orodje. Za podrobnosti si oglejte razlage na embalaži kompleta dodatkov. Ravno tako pa vam bo pravilno svetovalo tudi osebje v trgovini, kjer ste kupili izdelek.

## SPLOŠNA IN VARNOSTNA OPOZORIŁA ZA ELEKTRIČNA ORODJA



**OPOZORILO** Preberite vsa varnostna opozorila in navodila. Neupoštevanje opozoril in navodil lahko privede do električnega udara in/ali resnih poškodb.

**Vsa opozorila in navodila si shranite za**

# Rezalnik žive meje

# SL

## **kasnejšo uporabo.**

Izraz "električno orodje" v opozorilih se nanaša na vaše električno (kabelsko) ali akumulatorsko (brezžično) električno orodje.

### **1. VARNOST NA DELOVNEM MESTU**

- a) **Delovno mesto naj bo vedno čisto in dobro osvetljeno.** Neurejeno in slabo osvetljeno delovno okolje privablja nesreče.
- b) **Električnih orodij ne uporabljajte v eksplozivnih okoljih, kjer so vnetljive tekočine, plini ali prah.** Električna orodja pri delovanju povzročajo iskre, ki lahko zanetijo prah ali hlape.
- c) **Med uporabo električnih orodij, naj bodo otroci in drugi prisotni varno oddaljeni.** Če vas med uporabo kdo zmoti, to lahko povzroči nesrečo.

### **2. ELEKTRIČNA VARNOST**

- a) **Vtičač električnega orodja se mora prilegati vtičnici. Vtičačev nikoli ne predelujte na noben način. Za priklop električnega orodja, ki ima tudi kontakt za ozemljitev, nikoli ne uporabljajte adapterjev za priklop.** Le nepredelani in brezhibni vtičniki in vtičnice preprečujejo električni udar.
  - b) **Med uporabo električnih orodij, se s telesom ne dotikajte ozemljenih predmetov, kot so vodovodna napeljava, radiatorji in cevi centralnega ogrevanja, štedilniki ter hladilniki.** Če se med uporabo električnega orodja dotaknete ozemljenih površin, obstaja povečana nevarnost električnega udara.
  - c) **Električnih orodij nikoli ne izpostavljajte dežju ali vlažnim okoljem.** Če v električno orodje zaide voda, bo to povečalo nevarnost električnega udara.
  - d) **Pazite, da ne poškodujete napajalnega kabla. Slednjega nikoli ne uporabljajte za prenašanje električnega orodja, niti ne vlecite za kabel, če želite odstraniti vtičač iz vtičnice.** Poskrbite, da napajalni kabel ne bo prišel v stik z olji, viri vročine, ostrimi robovi ali premikajočimi se deli. Vsakršna poškodba električnega kabla povečuje nevarnost električnega udara.
  - e) **Če električna orodja uporabljate zunaj, uporabite podaljšek, ki je namenjen za zunanjo uporabo.** Le uporaba ustreznega podaljška zagotavlja brezhibno in varno uporabo.
  - f) **Če morate električno orodje vseeno uporabiti v vlažnem okolju, v napajalni tokokrog namestite tudi napravo za zaščito pred diferenčnim tokom (RCD).** Uporaba naprave RCD zmanjšuje nevarnost električnega udara.
- ### **3. OSEBNA VARNOST**
- a) **med delom bodite pozorni na to kar delate in se zanašajte na zdrav razum. Če ste utrujeni ali pod vplivom zdravil, alkohola**

**ali drog, potem električnega orodja ne uporabljajte.** Le trenutek nepazljivosti med uporabo električnega orodja že lahko povzroči osebne poškodbe.

- b) **Uporabljajte osebno zaščitno opremo. Vedno nosite zaščito za oči.** Zaščitna oprema, kot so maska za zaščito pred prahom, nederseča delovna obutev, čvrsto pokrivalo ter zaščita sluha bo v določenih okoliščinah lahko zagotovila varno delo.
- c) **Preprečite neželen zagon naprave. Preden vstavite vtičač v vtičnico ali akumulator v napravo, oziroma, če želite električno orodje prestaviti, se prepričajte, da stikalo za vklop ni vklopljeno.** Če med prenašanjem električnega orodja držite prst na stikalu za vklop, se orodje lahko nepričakovano vklopi in povzroči nesrečo.
- d) **Poskrbite, da boste pred vklopom električnega orodja iz njega odstranili vse ključe ali pripomočke za nastavljanje.** Če v električnem orodju ostane vstavljen ključ za prilagajanje, bi slednjega med vrtenjem lahko izvrglo in povzročilo telesne poškodbe.
- e) **Električnega orodja ne uporabljajte na predelih, ki jih težko dosežete.** Med delom imejte vedno trden in stabilen položaj. To vam bo zagotovilo boljši nadzor nad električnim orodjem, če pride do nepričakovanih situacij.
- f) **Nosite ustrezna oblačila. Med delom ne nosite ohlapnih oblačil ali nakita. Poskrbite, da se med delovanjem električnega orodja vaši lasje, oblačila ali rokavice ne bodo ujeli med premikajoče se dele.** Ohlapna oblačila, nakit ali dolgi lasje se lahko hitro ujamejo v premikajoče se dele.
- g) **Če ima električno orodje predvideno namestitev enot za odsesavanje prahu ali zbiranje delcev, poskrbite, da bodo te tudi pravilno nameščene in uporabljene.** Če uporabljate enoto za zbiranje delcev, obstaja manjša nevarnost nesreč zaradi prahu.

### **4. UPORABA IN NEGA ELEKTRIČNIH ORODIJ**

- a) **Električnih orodij nikoli ne preobremenjujte. Uporabljajte takšna električna orodja, ki ustrezajo namenu.** Le uporaba ustreznega električnega orodja za določeno opravilo, bo zagotovila, da bo to pravilno in kakovostno izvedeno.
- b) **Nikoli ne uporabljate električnega orodja, ki ima poškodovano stikalo za vklop.** Če električnega orodja ne morete varno izklopiti, morate pred nadaljnjo uporabo odpraviti okvaro.
- c) **Pred vsakršnimi prilagoditvami, nastavitvami, menjavanjem priključkov ali shranjevanjem, morate električno orodje izklopiti iz napajanja ali iz njega odstraniti akumulator.** Takšni previdnostni ukrepi bodo zmanjšali nevarnost neželenega zagona.
- d) **Če je električno orodje pripravljeno za uporabo, naj bo nameščeno tako, da do njega ne bodo mogli dostopati otroci ali**

**osebe, ki ga ne znajo uporabljati.** Električna orodja so v rokah neustreznih usposobljenih oseb lahko zelo nevarna.

- e) **Vzdrževanje električnih orodij. Preverjajte glede brezhibnega delovanja premikajočih se delov, stanje delov in druge okoliščine, ki bi lahko škodljivo vplivale na delovanje električnega orodja. Če opazite poškodbe ali okvare, dajte električno orodje v popravilo.** Mnogo delovnih nesreč se pripeti zaradi slabo vzdrževanega orodja.
- f) **Poskrbite, da bodo orodja za rezanje vedno ostra in čista.** Pravilno vzdrževana in ostra orodja zagotavljajo natančnejše in lažje delo.
- g) **Električna orodja, priključke, nastavke itd. uporabljajte skladno s temi navodili in glede na naravo dela, ki ga boste opravljali.** Če uporabljate električna orodja za opravila, katerim ni namenjeno, to lahko privede do nevarne situacije.
5. **SERVIS**
- a) **Električno orodje naj servisira le ustrezno usposobljeni strokovnjak, ki uporablja originalne nadomestne dele.** To bo zagotovilo ustrezno varnost električnega orodja.

## VARNOSTNA OPOZORIŁA ZA REZALNIK ŽIVE MEJE:

1. **Med uporabo rezalnika imejte vse dele telesa varno oddaljene od rezila. Nikoli ne odstranjujte odrezkov z orodja, če se rezila premikajo.** Če želite odstraniti zagozdeni material, poskrbite, da bo stikalo izklopljeno. Le trenutek nepazljivosti med uporabo rezalnika žive meje že lahko povzroči telesne poškodbe.
2. **Rezalnik žive meje prenašajte tako, da ga držite za ročaj. Poskrbite, da bo na rezilu rezalnika žive meje med prenašanjem in shranjevanjem vedno nameščena zaščita rezila.** Le pravilna uporaba rezalnika žive meje bo zmanjšala nevarnost za morebitne telesne poškodbe.
3. **Poskrbite, da bo napajalni kabel vedno varno oddaljen.** Med uporabo rezalnika kabel ne sme biti skrit med vejevjem, kajti pri tem bi ga lahko nehotе prerezali.
4. **Električno orodje med uporabo trdno držite za izolirana ročaja, kajti rezilo bi lahko prišlo v stik z električnim kablom, stik z neizoliranimi deli orodja pa bi tako povzročil električni udar.** Če z rezalnim orodjem pridete v stik z električnim kablom pod "napetostjo", to povzroči, da postanejo "električni" tudi kovinski deli naprave, zaradi česar lahko pride do električnega udara.
5. Pred rezanjem preverite, če so v živi meji morda žice ali drugi tujki.
6. Rezalnik žive meje med uporabo držite z obema rokama. Če ga boste držali le z eno roko, to lahko povzroči izgubo nadzora in telesne poškodbe.

7. Priporočamo za uporabo naprave za zaščito pred diferenčnim tokom z največ 30 mA zaščito.

## SIMBOLI



Zaradi zmanjševanja nevarnosti poškodb, se temeljito seznanite z navodili za uporabo



Uporabljajte zaščito za oči



Uporabljajte zaščito za ušesa



Nosite zaščitno masko za prah



Naprave ne izpostavljajte vlagi



Če opazite, da je napajalni kabel poškodovan ali prerezan, ga takoj odklopite iz vtičnice.



Dvojna izolacija



Z rokami se ne dotikajte



Rabljenih električnih izdelkov ne smete odlagati skupaj z ostalimi gospodinjstvi odpadki. Dostavite jih na mesto za ločeno zbiranje odpadkov. Če imate v zvezi s tem vprašanja, se posvetujte z lokalnimi oblastmi.

# NAVODILA ZA UPORABO



**OPOZORILO!** Izdelka nikoli ne uporabljajte brez nameščenega varovala in sprednjega ročaja.

## PREDVIDENI NAMEN

Ta naprava je namenjena domačemu rezanju in obrezovanju živih mej ter grmičevja.

## 1. SESTAVLJANJE VAROVALA (Glejte sliko A)

Varovalo (5) vstavite v ležišče kot je prikazano na sliki A; Varovalo pritrdite z dvema priloženima vijakoma; poskrbite, da bo varovalo dobro pritrjeno.

## 2. SESTAVLJANJE SPREDNJEGA ROČAJA



**Sprednji ročaj (4) morate pred uporabo sestaviti:**

- 1) Nato sprednji ročaj namestite na ogrodje. Najprej pritisnite na mali gumb (a). Poskrbite, da se bosta nastavka na sprednjem ročaju prilagela obliki ogrodja. (Glejte sliki B in C)
- 2) Vstavite in privijte 4 vijake.
- 3) Preverite, če je ročaj trdno nameščen, sicer dodatno privijte vijaka.

**Poskrbite, da bo ročaj trdno nameščen na mesto.**

## 3. PRIPOMOČEK ZA ZMANJŠEVANJE OBREMENJENOSTI NAPAJALNEGA KABLA (Glejte sliko D)

Zadrževalni pripomoček napajalnega kabla je namenjen zmanjševanju obremenjenosti podaljška. Uporabite ga tako, da malce pred koncem podaljška naredite zanko in slednjo vstavite skozi odprtino na spodnjem delu pripomočka za zmanjševanje obremenjenosti napajalnega kabla, nato pa drug konec zanke ovijete okoli kljuke in jo povlečete, da se zategne.

## 4. ZAGANJANJE IN UGAŠANJE (Glejte sliko E)

**PRED ZAGONOM REZALNIKA ŽIVE MEJE**  
Odstranite zaščito rezila (7).

### ZAGON REZALNIKA ŽIVE MEJE

Vaš rezalnik žive meje ima dve stikali (2 in 3). Če želite rezalnik ZAGNATI, morate stisniti obe stikali. Najprej stisnite in zadržite sprednje stikalo (3), nato pa še zadnjega (2). (Glejte sliko E)

### UGAŠANJE REZALNIKA ŽIVE MEJE

Pred ugašanjem umaknite rezalnik proč od območja rezanja.

Za UGAŠNITEV rezalnika, sprostite enega od stikal. (Glejte sliko F)



**OPOZORILO:** Če kateri od delov manjka ali je poškodovan, rezalnika ne uporabljajte dokler ne bodo vsi deli brezhibno delovali. Neupoštevanje tega priporočila se lahko odrazi v resnih telesnih poškodbah. REZALNIKA NE UPORABLJAJTE BREZ NAMEŠČENEGA ROČAJA IN VAROVALA

## 5. KAKO UPORABLJATI REZALNIK ŽIVE MEJE

Pred vsako uporabo najprej pozorno preglejte območje,

kjer boste rezalnik uporabljali, ter po potrebi odstranite predmete, ki bi jih rezalnik med delovanjem lahko odvrigel v zrak ali bi se ujeli v rezilo.

Rezalnik žive meje vedno držite z obema rokama, rezilo pa naj bo ob vklopu obrnjeno proč od vas.

**Poskrbite, da bo napajalni kabel med uporabo rezalnika vedno za rezalnikom. Medtem, ko rezalnik deluje, nikoli ne predstavljajte napajalnega kabla prek rezila.**

Če režete mlade vejice, rezalnik premikajte s širokimi gibi, da odrezani deli ne bodo padali neposredno na rezilo.

Preden začnete z rezanjem, počakajte, da rezila dosežejo polno hitrost.

Med delom imejte rezila obrnjena proč od ljudi in sten, kamnov, dreves, vozil ter drugih predmetov.

Če se rezilo zaustavi, takoj ugasnite rezalnik. Rezalnik žive meje odklopite iz napajanja ter odstranite zagozdene tujke.

Če režete trnato ali bodičasto grmičevje, uporabljajte zaščitne rokavice.

Rezalnik žive meje pomikajte tako, da rezilo reže vejice neposredno.

Nikoli ne režite vej, ki so predebele za rezanje.

### VRHNJE REZANJE (Glejte sliko G)

Rezalnik premikajte v širokih gibih. Najboljše rezultate boste dosegli, če boste sprednji del rezila držali obrnjenega malce navzdol.

### BOČNO REZANJE (Glejte sliko H)

Pri bočnem obrezovanju žive meje, začnite spodaj in režite navzgor, pri čemer živo mejo pri vrhu prirežite navznoter. Takšna oblika bo živi meji zagotovila enakomernejšo rast.



**OPOZORILO:** Pred vsako uporabo preverite stanje napajalnega kabla. Če opazite poškodbe, ga zamenjajte z novim. Nikoli ne uporabljate električnega orodja s poškodovanim napajalnim kablom, kajti to lahko privede do poškodb ali električnega udara.

Če opazite, da je napajalni kabel poškodovan, naj ga zamenja usposobljeni strokovnjak.

Električnega orodja nikoli ne izpostavljajte dežju.

## VZDRŽEVANJE

### ČIŠČENJE

Orodje odklopite iz napajanja. Z mehko ščetko odstranite ostanke žive meje iz odprtin za zračenje in rezila.

Če je napajalni kabel poškodovan, ga lahko zamenja le proizvajalec, njegov serviser ali podobno usposobljene osebe, sicer obstaja nevarnost poškodb.

S suho krpo obrišite ohišje rezalnika žive meje.

**OPOZORILO!** Rezalnika žive meje nikoli ne čistite z vodo. Za čiščenje tudi ne uporabljajte kemičnih sredstev, niti bencina, ali raztopin, kajti te bi lahko poškodovale napravo.

### MAZANJE REZILA

Za zagotavljanje boljšega delovanja in daljše življenjske dobe, pred vsako uporabo rezalnika namažite rezilo.

Pred mazanjem preverite, če je rezalnik žive meje

odklopljen iz napajanja. Na rezili nanesite olje za mazanje. (Glejte sliko I)  
Rezili morate občasno namazati tudi med uporabo, vendar obvezno rezalnik najprej ugasnite, ga odklopite iz napajanja ter šele nato nanesite olje na rezila.


#### NA KONCU SEZONE OBREZOVANJA

Rezalnik temeljito očistite.  
Preverite, če so vse matice in vijaki dobro privite(i).  
Vizualno pregledajte rezalnik žive meje glede obrablenosti ali poškodb.

#### SHRANJEVANJE REZALNIKA ŽIVE MEJE

Rezalnik žive meje shranjujte na suhem mestu, izven dosega otrok. Na rezalnik ne odlagajte drugih predmetov.

## VAROVANJE OKOLJA

 Rabljenih električnih izdelkov ne smete odlagati skupaj z ostalimi gospodinjstvi odpadki. Dostavite jih na mesto za ločeno zbiranje odpadkov. Če imate v zvezi s tem vprašanja, se posvetujte z lokalnimi oblastmi.

## IZJAVA O SKLADNOSTI

Mi,  
POSITEC Germany GmbH  
Konrad-Adenauer-Ufer 37  
50668 Köln

Izjavljamo, da je izdelek,  
Opis **Rezalnik žive meje WORX**  
Vrsta **WG209E, WG210E (2-oznaka naprave, predstavnik rezalnikov žive meje)**  
Funkcija **Obrezovanje žive meje in grmičevja**

Skladen z naslednjimi direktivami:

**2006/42/EC**  
**2014/30/EU**  
**2011/65/EU**  
**2000/14/EC spremenjena z 2005/88/EC**

2000/14/ES spremenjena z 2005/88/ES

- Postopek za ugotavljanje skladnosti, glede na

#### Dodatek V

- Izmerjena raven zvočne moči **97.4 dB**

- Deklarirana zajamčena raven zvočne moči **98dB**

Usklajenost s standardi:

**EN 60745-1**                    **EN 60745-2-15**  
**EN ISO 3744**                **EN 55014-1**  
**EN 55014-2**                **EN 61000-3-2**  
**EN 61000-3-3**

Oseba, ki je pooblaščen za skladnost tehnične dokumentacije,

**Ime Russell Nicholson**

**Naslov Positec Power Tools (Europe) Ltd,  
PO Box 6242 Newbury RG14 9LT UK**



Suzhou 2016/10/20

Allen Ding

Namestnik glavnega inženirja za testiranje in certificiranje



**WORX**  
**it's your nature**

**[www.worx.com](http://www.worx.com)**

Copyright © 2016, Positec. All Rights Reserved.  
AR01271000